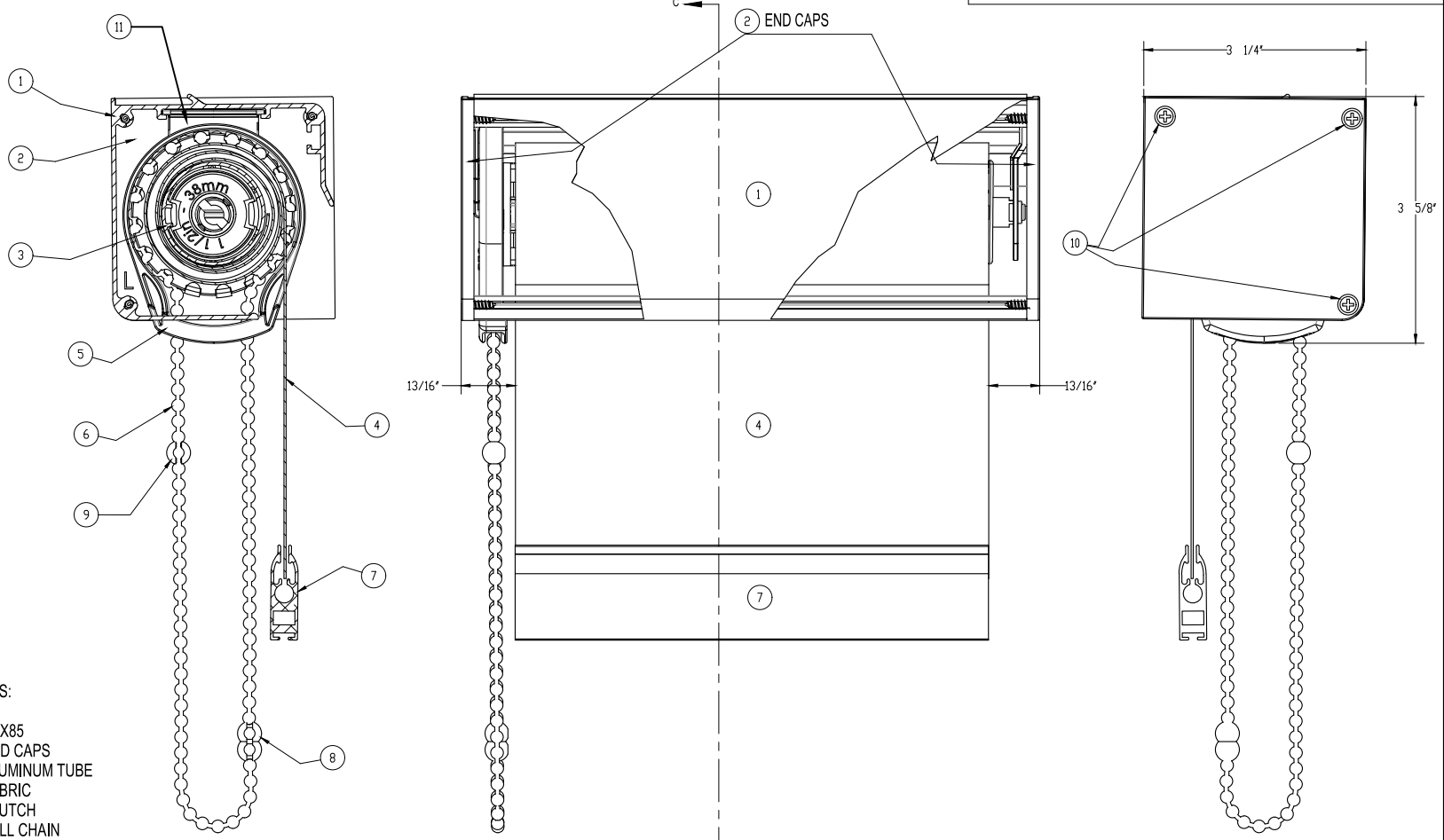


12 11 10 9 8 7 6 5 4 3 2 1

H  
G  
F  
E  
D  
C  
B  
A

ALL COMPONENTS AVAILABLE IN 4 COLORS




- NOTES:
- 1.- QBX85
  - 2.- END CAPS
  - 3.- ALUMINUM TUBE
  - 4.- FABRIC
  - 5.- CLUTCH
  - 6.- BALL CHAIN
  - 7.- BOTTOM RAIL
  - 8.- CHAIN CONNECTOR
  - 9.- CHAIN STOPPER
  - 10.- END CAP SCREWS
  - 11.-INTERNAL TAB MOUNT BRACKET

SECTION C-C  
NOT TO SCALE

"PATENT APPLIED FOR"

SHEET 1 OF 1

 **Vertilux** BLINDS & SHADES

TITLE QBX85  
ITEM 0-140-08-001X0

12 11 10 9 8 7 6 5 4 3 2 1