

12 11 10 9 8 7 6 5 4 3 2 1

H H

G G

F F

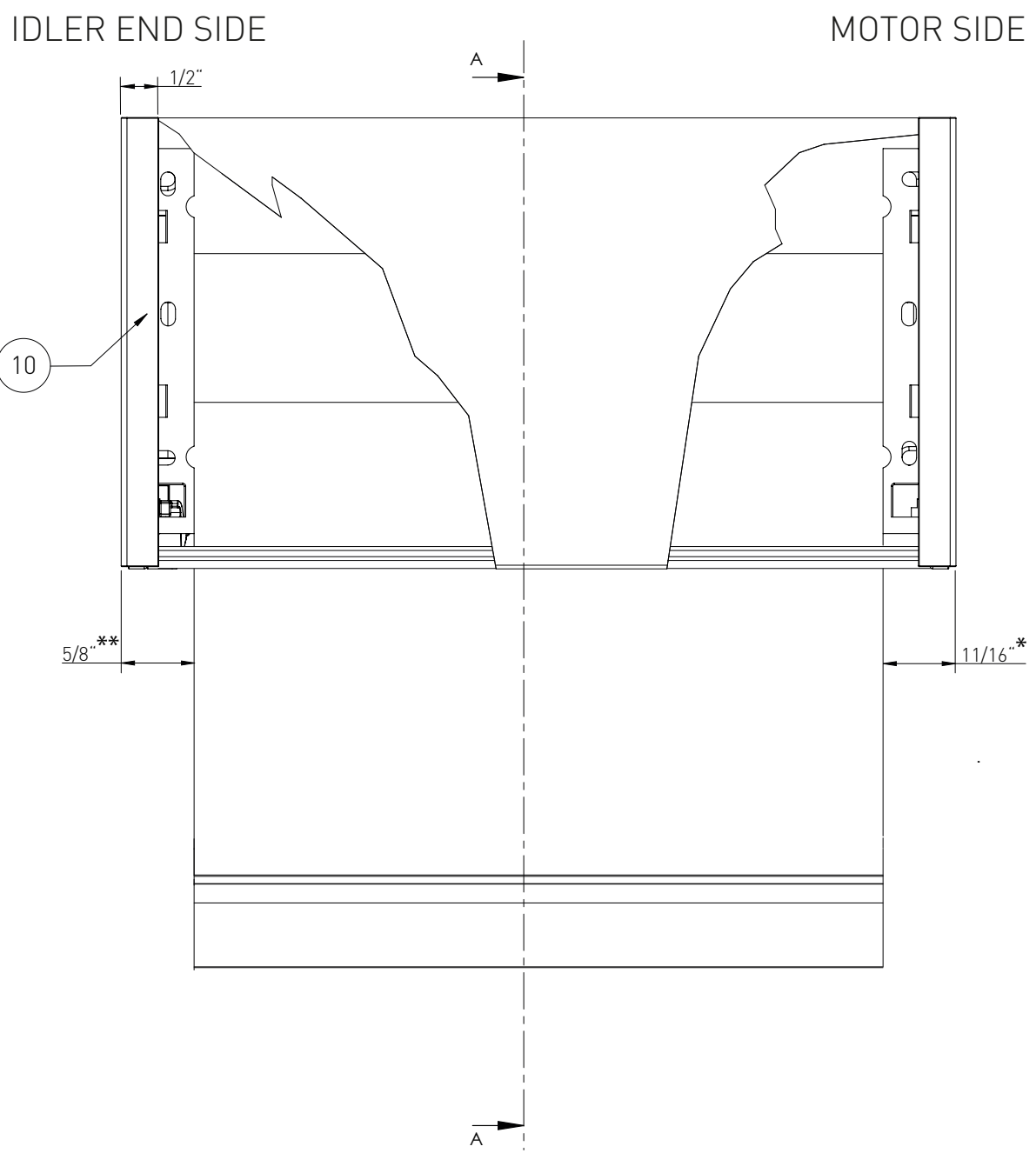
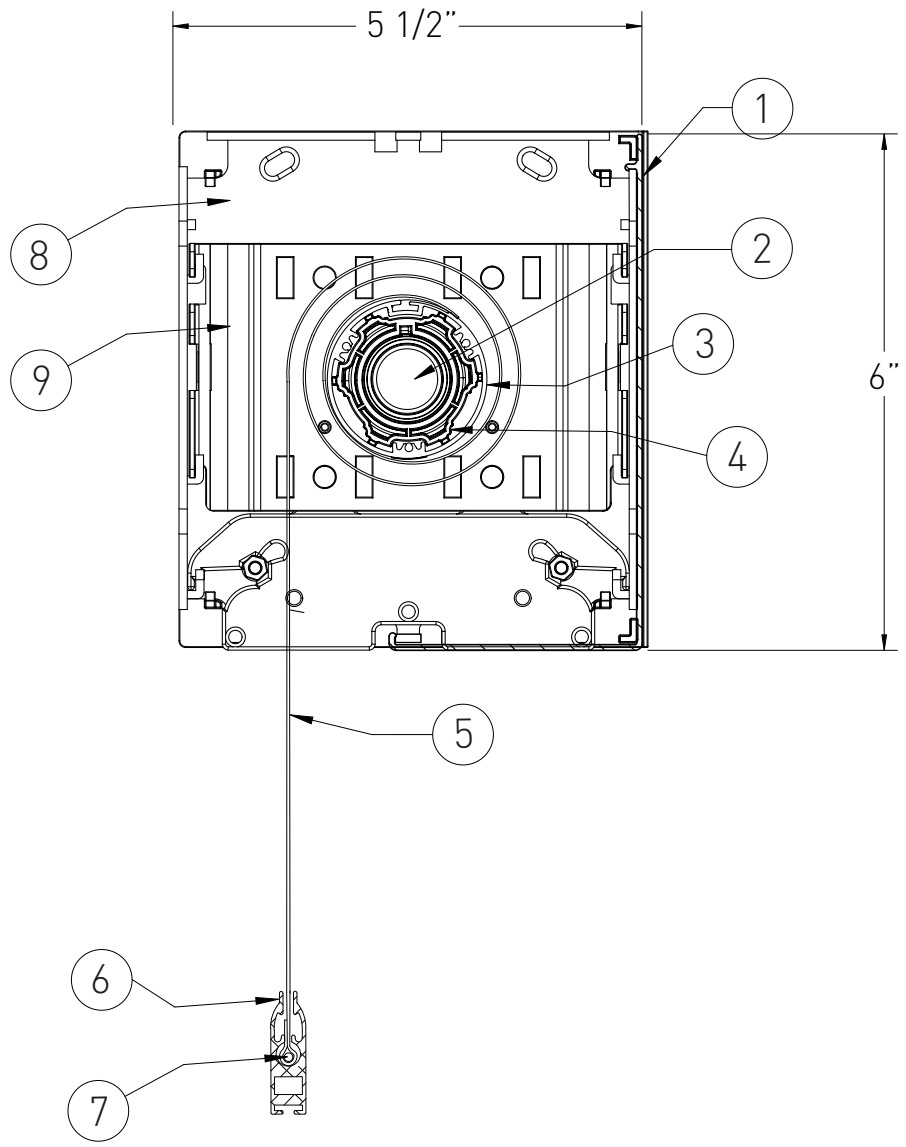
E E

D D

C C

B B

A A



SECTION A-A

- |               |                                  |
|---------------|----------------------------------|
| 1.- 6" FASCIA | 6.- BOTTOM RAIL                  |
| 2.- MOTOR     | 7.- FIBERGLASS INSERT            |
| 3.- TUBE      | 8.- 6" FASCIA BASE BRACKET       |
| 4.- ADAPTER   | 9.- 6" FASCIA BASE HM TEMPLATE   |
| 5.- FABRIC    | 10.- 6" FASCIA PLASTIC END COVER |
- \* COULD BE BIGGER DEPENDING ON THE MOTOR USED.  
 \*\* COULD BE BIGGER DEPENDING ON THE PIN END, TUBE AND ADAPTER USED.

**Vertilux** BLINDS & SHADES

TITLE 6" ENGINEERED FASCIA  
 1 SHADE: MOTORIZED OPERATION

DATE: MARCH 2021

12 11 10 9 8 7 6 5 4 3 2 1