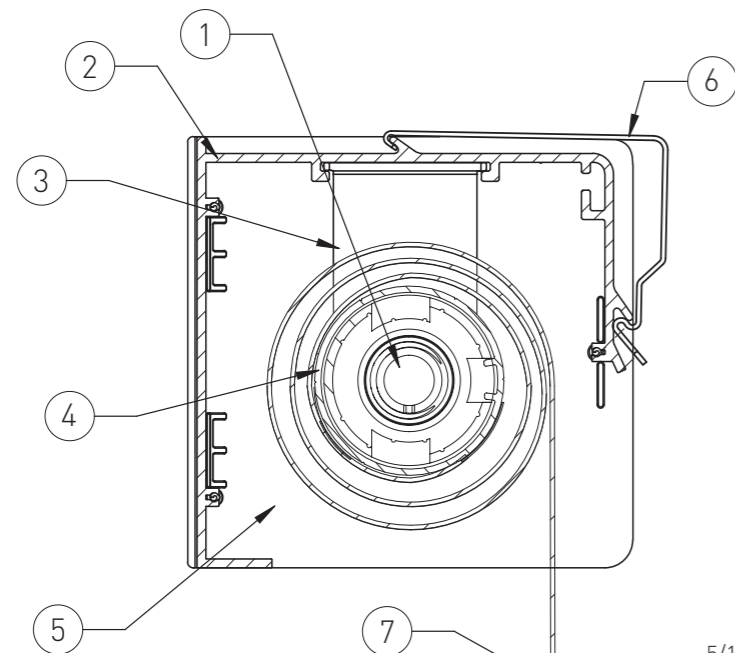


12 11 10 9 8 7 6 5 4 3 2 1

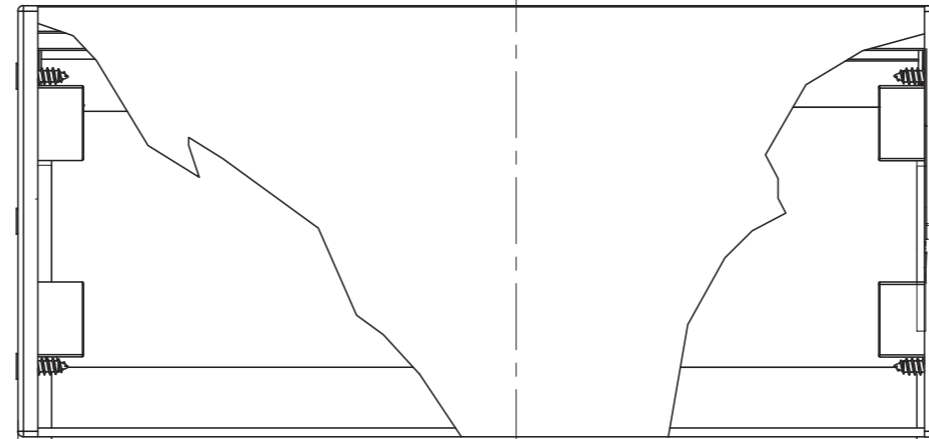
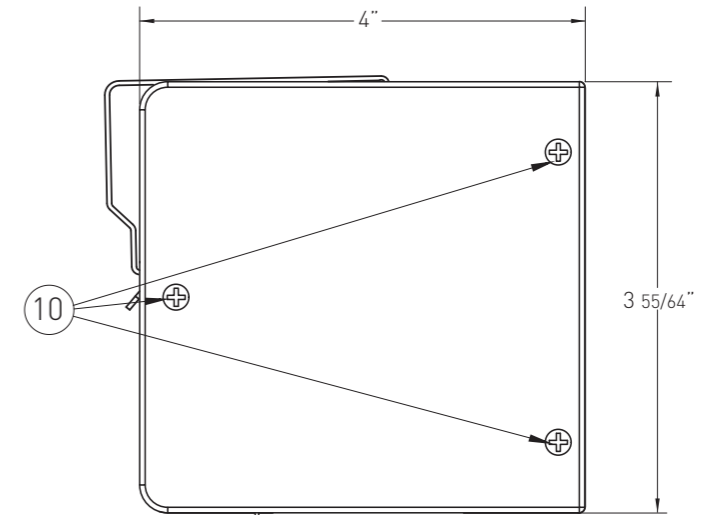
H  
G  
F  
E  
D  
C  
B  
A

- RIGHT SIDE VIEW -



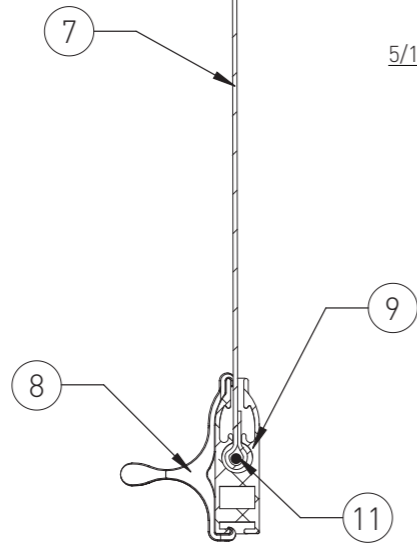
A

- LEFT SIDE VIEW -



5/16"

5/16"



SECTION A-A

12

A

12

- |   |                                      |
|---|--------------------------------------|
| 1.- V12 SYSTEM - SPRING ROLLER SET          | 7.- FABRIC                           |
| 2.- CASSETTE 120 FLAT                       | 8.- CLEAR PLASTIC HANDLE             |
| 3.- CASSETTE 120 BRACKET - TM               | 9.- BOTTOM RAIL                      |
| 4.- 1 1/2" (38mm) ALUMINUM TUBE             | 10.- END CAP SCREWS                  |
| 5.- CASSETTE 120 PLASTIC COVER              | 11.- FIBERGLASS INSERT               |
| 6.- CASSETTE 100/120/Q-BOX MOUNTING BRACKET | 12.- PLASTIC END CAP FOR BOTTOM RAIL |

**Vertilux** BLINDS & SHADES

TITLE V12 SYSTEM - 1 1/2" (38mm)

SHEET 1 OF 1

DATE: SEPTEMBER 2020

12 11 10 9 8 7 6 5 4 3 2 1