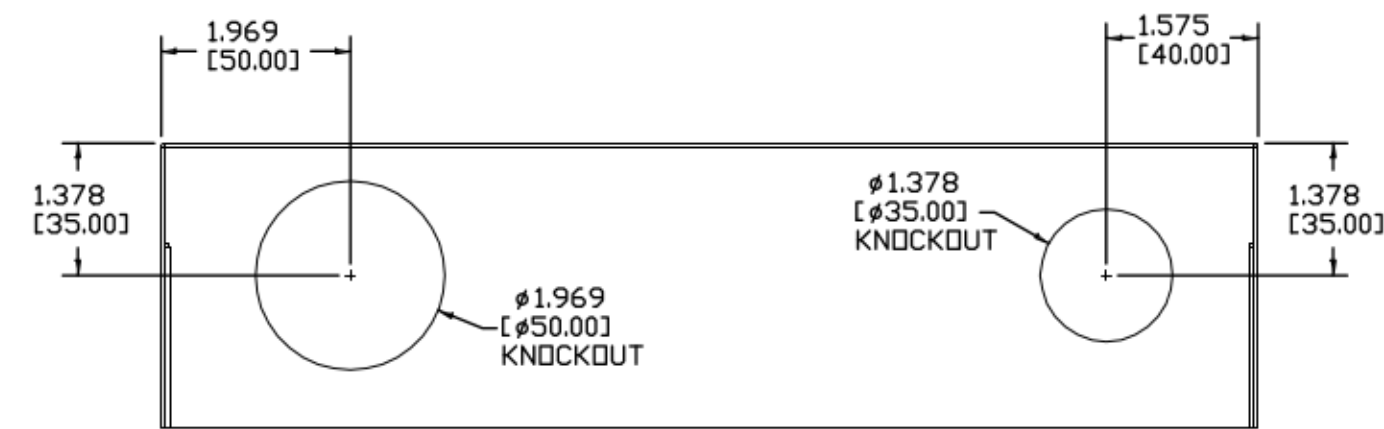
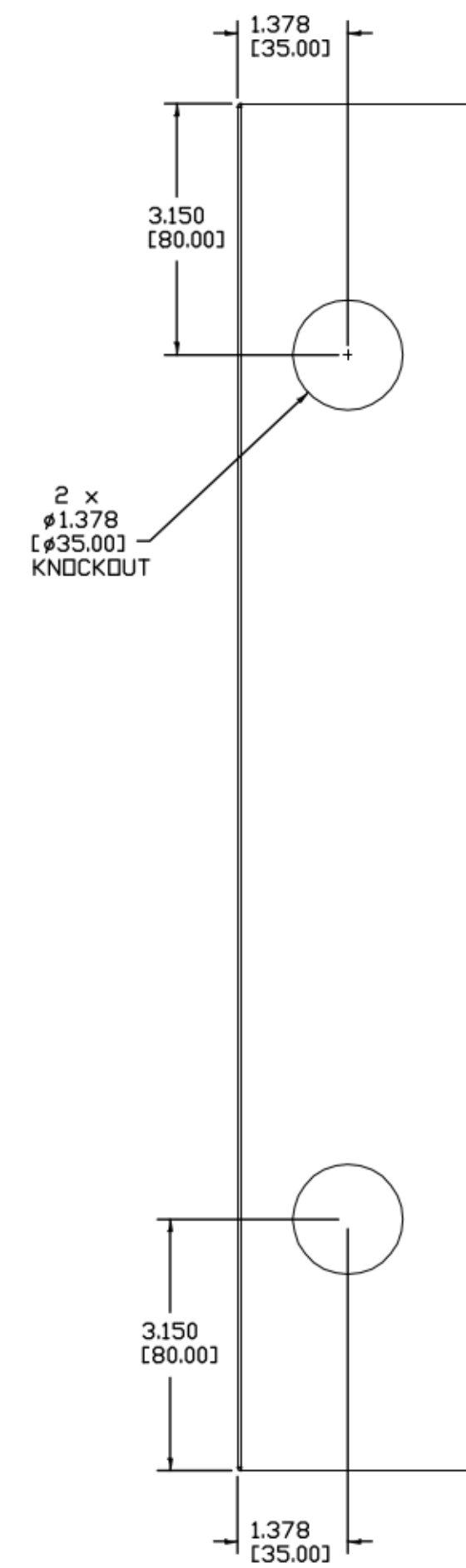


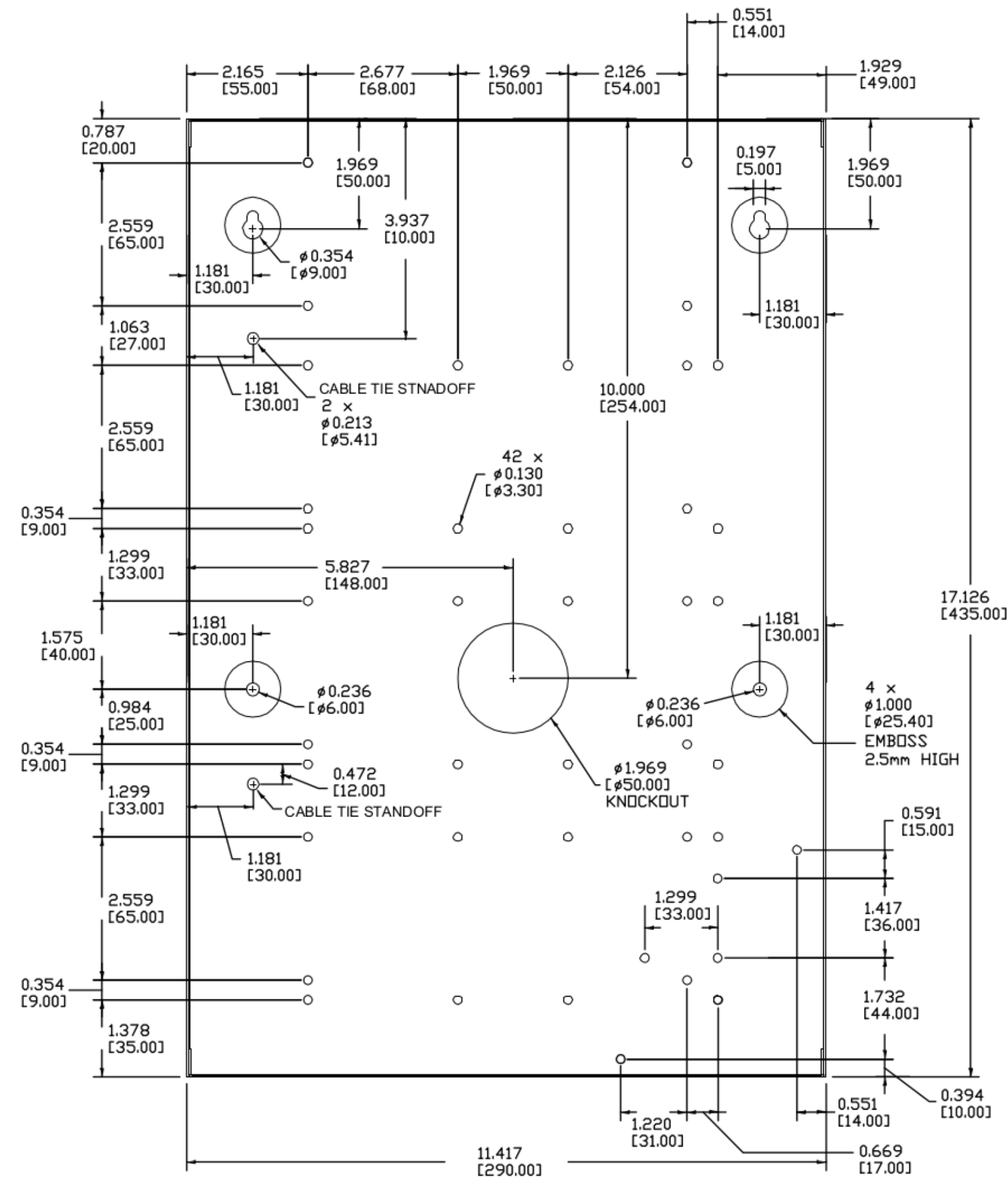
REV.	DESCRIPTION	ECO NO.	PRN NO.	DDN NO.	BY	DATE	APPR
00	RELEASE FOR INFO						



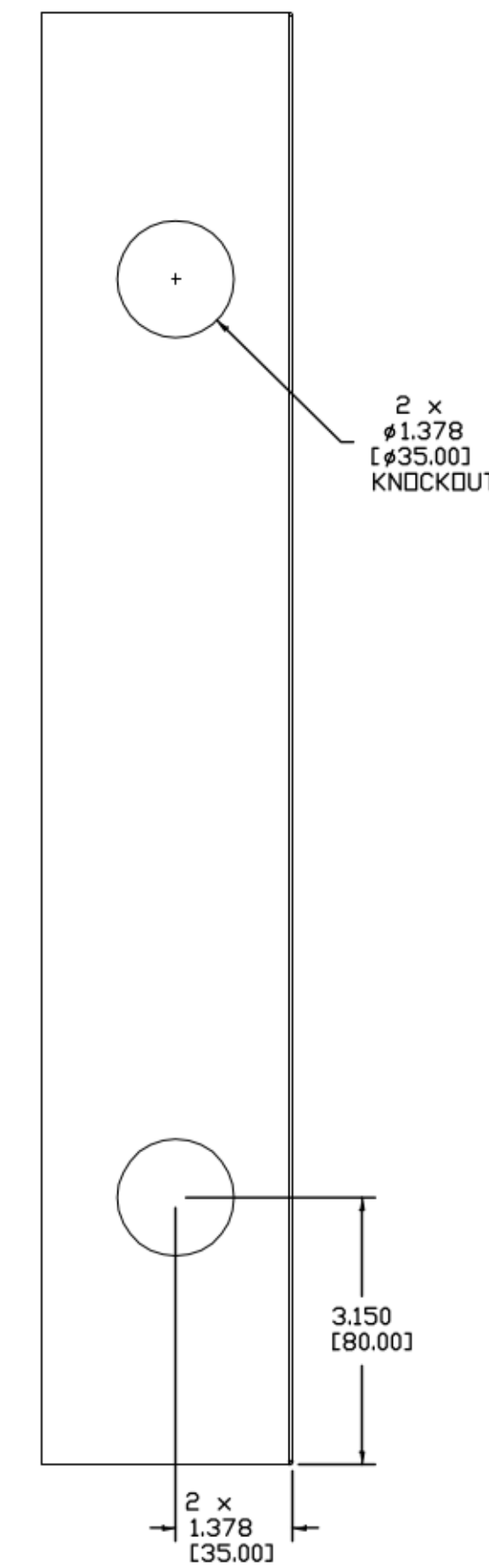
TOP VIEW



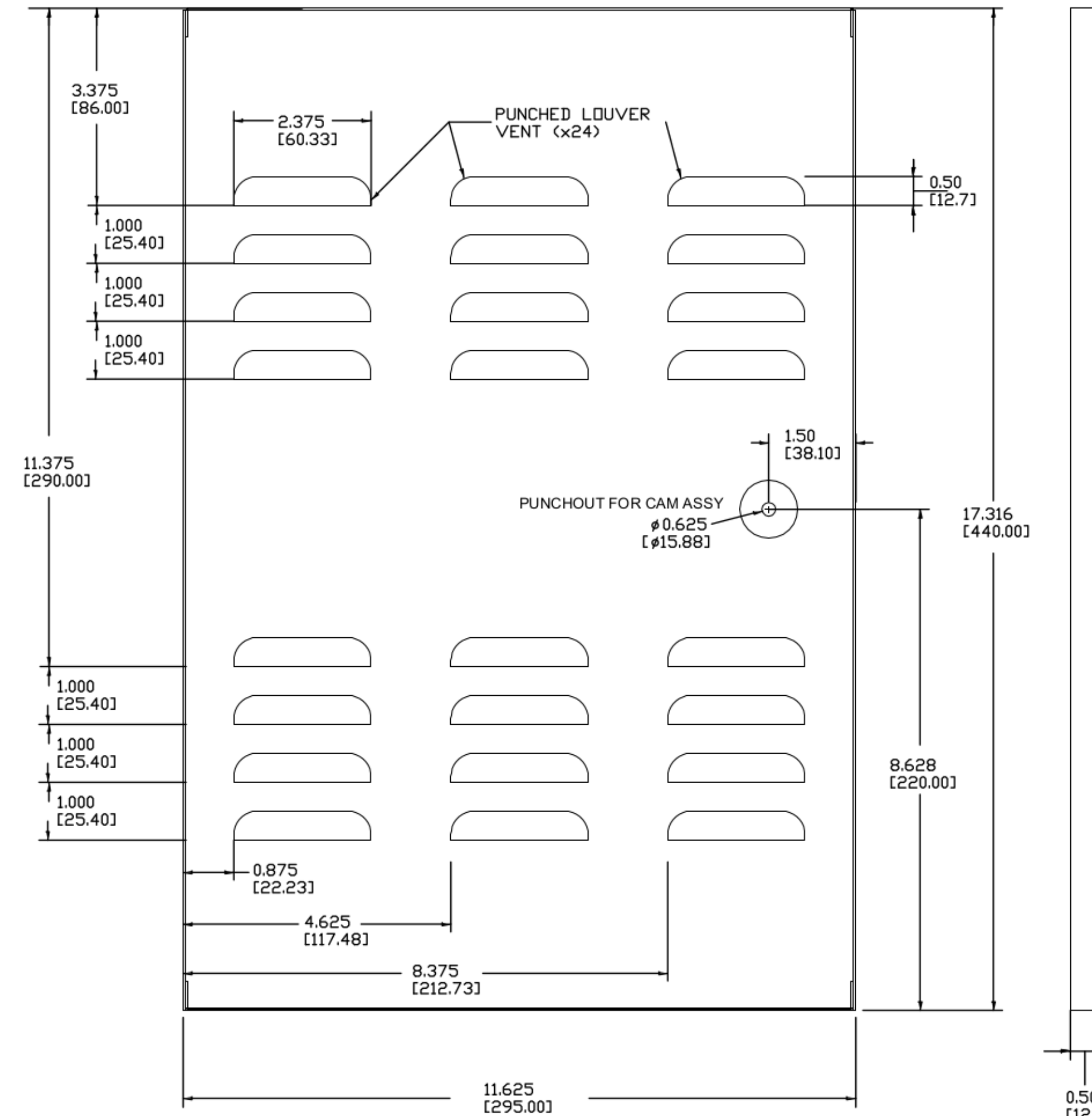
SIDE VIEW



INTERIOR VIEW

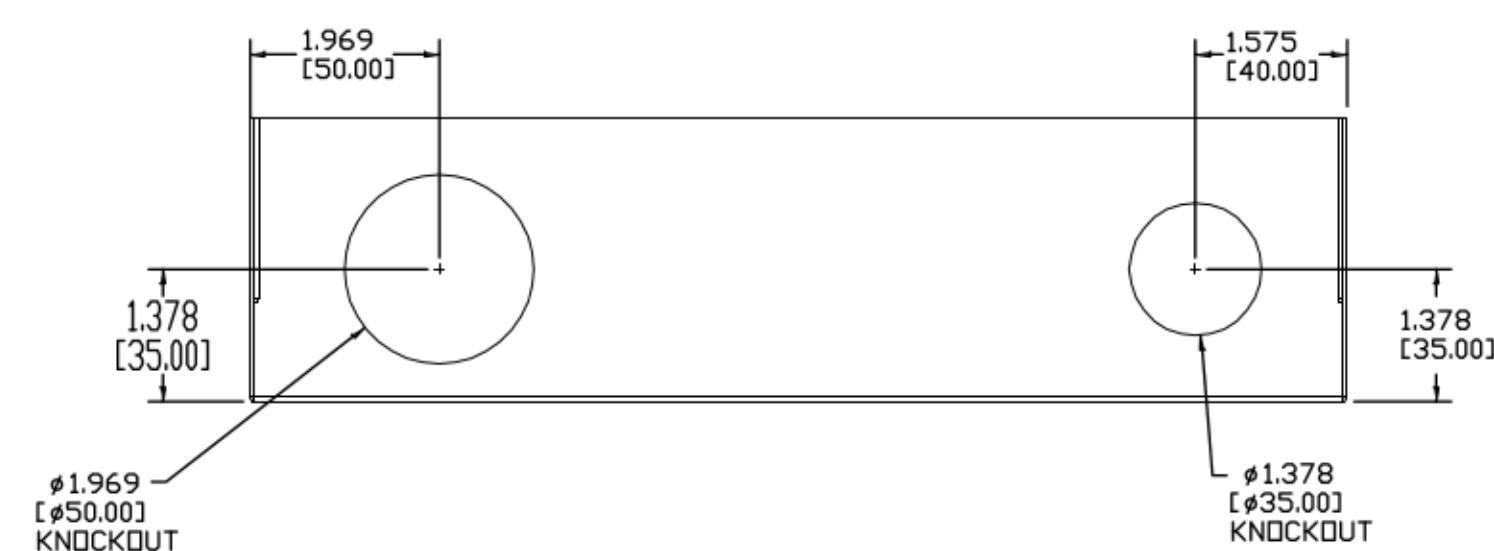


SIDE VIEW



PANEL COVER FRONT VIEW

PANEL COVER SIDE VIEW



BOTTOM VIEW

THIS METAL ENCLOSURE IS USED WITH THE FOLLOWING ASSEMBLIES:
 VAX-IO
 VAX-ELV
 VAX-"X" D KIT (WHERE "X" = 2, 4, 6 OR 8)

inches
[millimeters]

THIS PAPER AND THE MATTER SHOWN AND DESCRIBED ARE PROPRIETARY TO VICON INDUSTRIES, INC. THIS PAPER IS ISSUED IN STRICT CONFIDENCE AND SHALL NOT BE REPRODUCED OR COPIED, OR USED AS A BASIS FOR THE MANUFACTURE OF APPARATUS WITHOUT SPECIFIC WRITTEN AUTHORITY OF VICON INDUSTRIES, INC.

FILE NO. 131140210100	THIRD ANGLE 	REMOVE ALL BURRS BREAK ALL SHARP EDGES DO NOT SCALE DRAWING	MODEL NO. VAX-ENCL-ST
TOLERANCES XX DEC. ± 0.2 XXX DEC. ± 0.05	ALL DIMENSION IN INCHES FINISH ON ALL SURFACES UNLESS OTHERWISE SPECIFIED	TITLE VAX CARD ACCESS METAL ENCLOSURE	
MATERIAL	THIS PART MUST CONFORM TO GENERAL MFG. INSTRUCTIONS PER VICON SPEC		
HEAT TR.	SIGNATURE	DATE	VICON INDUSTRIES INC. 135 FELL COURT HAUPPAUGE, N.Y. 11788
FINISH	DESIGNER		
	CHECKER		
	APPROVED		1/2 D 1311-4021-01-00
			SCALE SIZE SHEET 1 OF 1 REV.

1311-4021-01-00