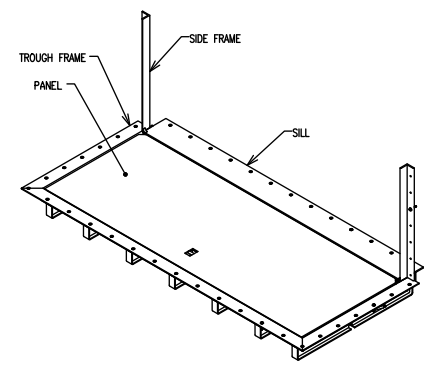
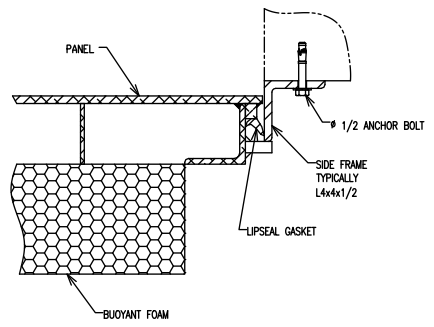
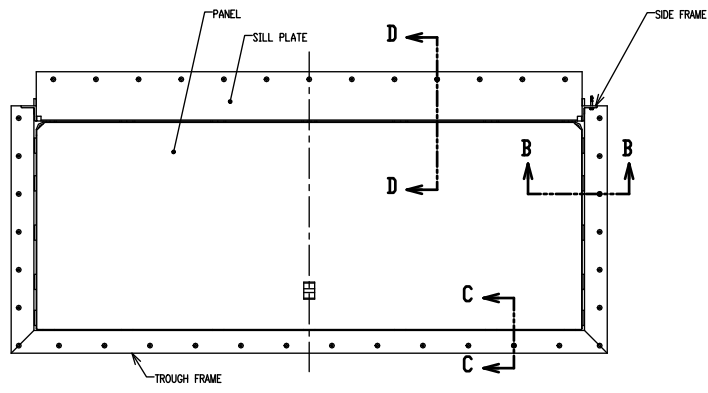


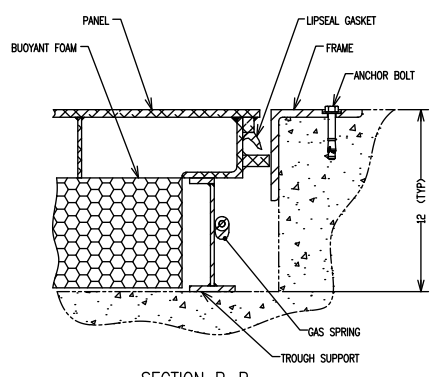
FRONT ELEVATION VIEW - GATE RAISED



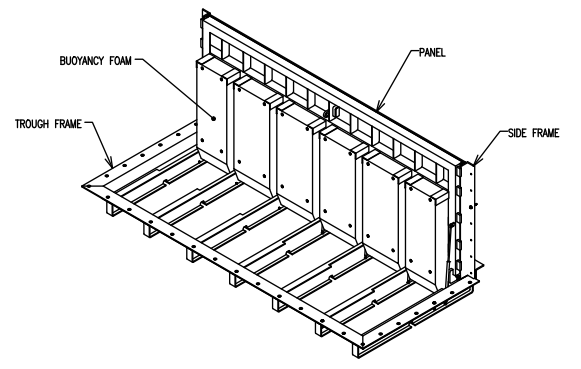
ISOMETRIC VIEW
PANEL LOWERED



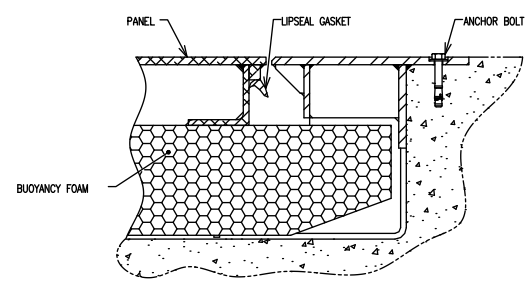
PLAN VIEW - GATE LOWERED



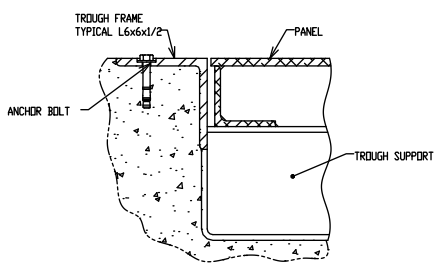
SECTION B-B



ISOMETRIC VIEW
PANEL RAISED



SECTION D-D
VIEW ROTATED 90° CW



SECTION C-C
VIEW ROTATED 90° CW

NOTE: ALL DIMENSIONS ARE IN INCHES.
NOT ALL VIEWS ARE TO SCALE.

<p>THIS DRAWING CONTAINS COMPANY PROPRIETARY AND CONFIDENTIAL INFORMATION AND IS NOT TO BE COPIED, DISCLOSED TO OTHERS OR USED IN ANY MANNER WITHOUT PRIOR PERMISSION OF WALZ & KRENZER, INC.</p>	<p>WK WALZ & KRENZER, INC. 91 WILLENBROOK RD., UNIT 3-4 DUFFIELD, CT. 06478 WEB SITE: www.waldoors.com</p>
	<p>AUTORISING FLOODGATE (MODEL FG-AR)</p>