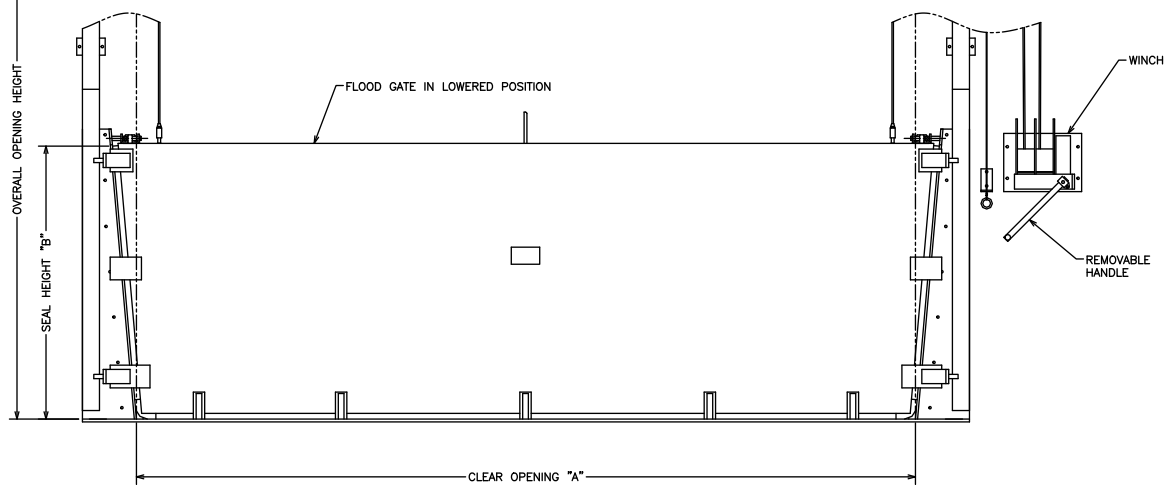
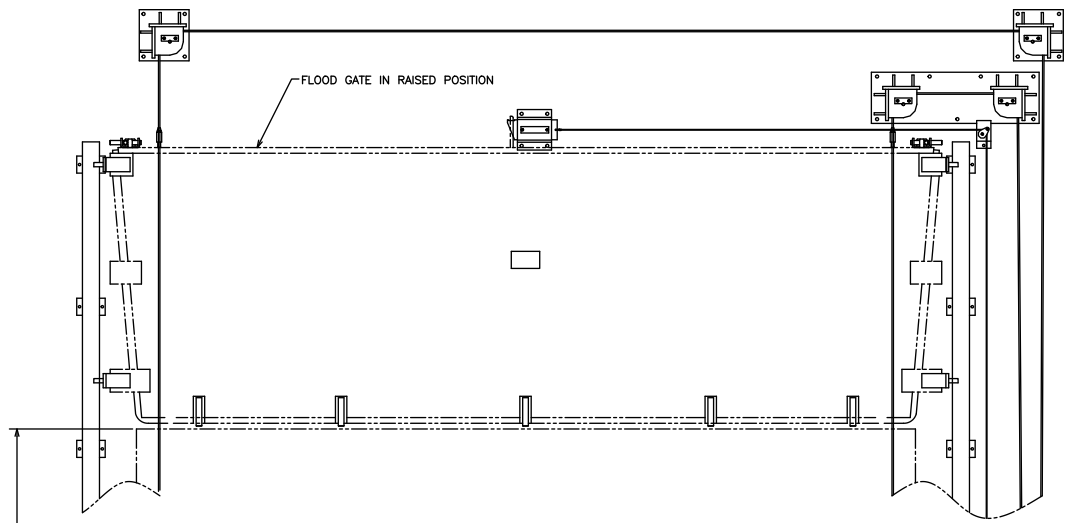
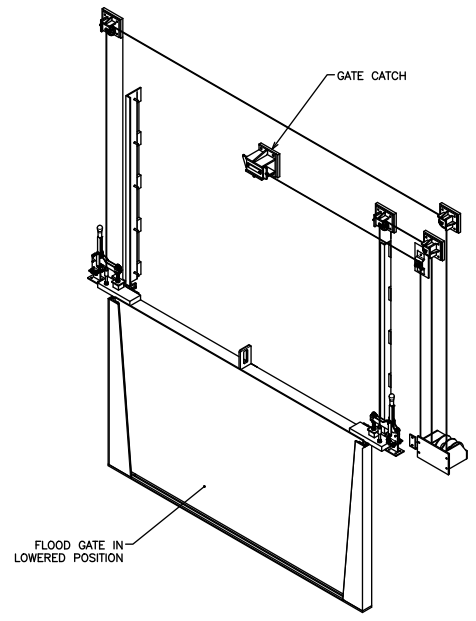


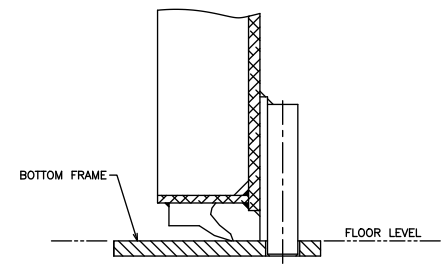
REVISION HISTORY				
REV.	DESCRIPTION	DATE	DRAWN	APPROVED



ELEVATION VIEW



ISOMETRIC VIEW



TYPICAL BOTTOM SECTION

THIS DRAWING CONTAINS COMPANY PROPRIETARY INFORMATION AND IS COPYRIGHTED BY WALZ & KRENZER (W&K). W&K ALLOWS USE OF THIS DRAWING IN SPECIFICATIONS AND PLANS ONLY IF W&K IS LISTED AS A QUALIFIED SUPPLIER.

	WALZ & KRENZER, INC. <small>91 VILLOWOOD RD., UNIT 3-4 DANFORD, CT. 06419 V&K SITE: www.wkinc.com</small>
	VERTICAL SLIDING FLOOD GATE (MODEL FG-S)