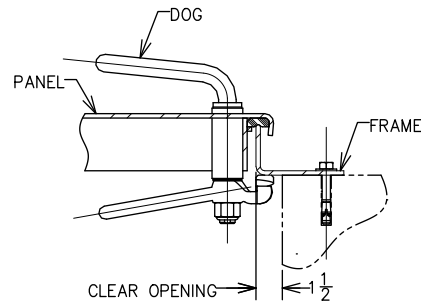
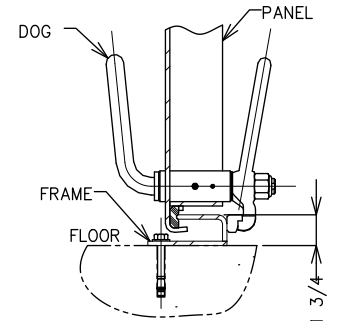


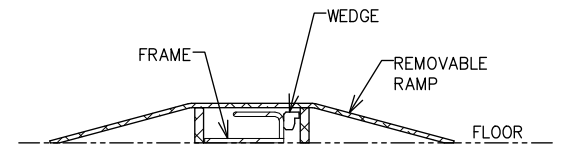
ELEVATION VIEW



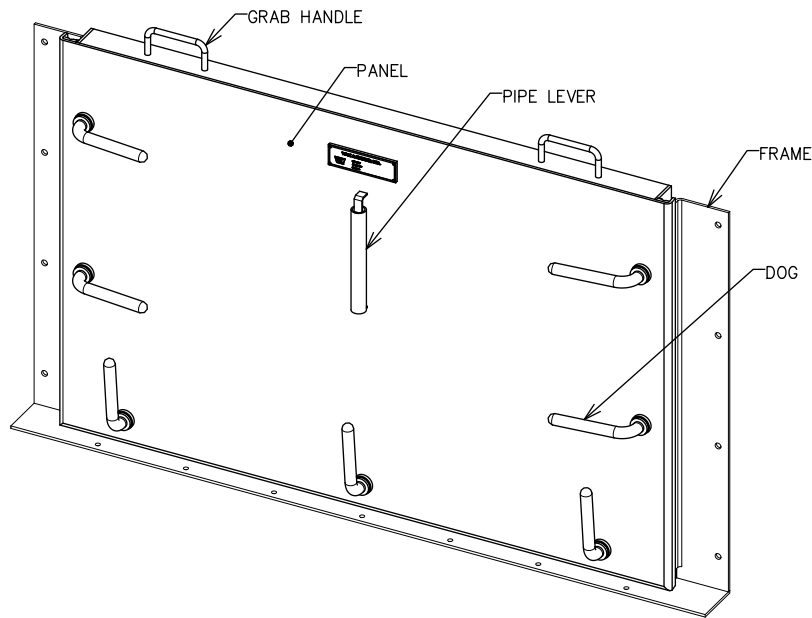
SEALED JAMB DETAIL
BOLTED FRAME



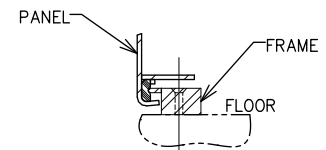
SEALED SILL DETAIL
BOLTED FRAME



SILL DETAIL WITH RAMP
PANEL UNINSTALLED



REMOVABLE COMPRESSION
GASKET FLOOD GATE



ALTERNATE SILL DETAIL

NOTE: NOT ALL VIEWS TO SCALE.
ALL DIMENSIONS ARE IN INCHES.

| | |
|--|--|
| <p>THIS DRAWING CONTAINS COMPANY PROPRIETARY INFORMATION AND IS COPYRIGHTED BY WALZ & KRENZER (W&K). W&K ALLOWS USE OF THIS DRAWING IN SPECIFICATIONS AND PLANS ONLY IF W&K IS LISTED AS A QUALIFIED SUPPLIER.</p> | <p>W&K WALZ & KRENZER, INC. 91 WILLENBROCK RD., UNIT B-4 OXFORD, CT. 06478 WEB SITE: www.wkdoors.com</p> <p>REMOVABLE COMPRESSION GASKET FLOOD GATE (MODEL FP-C)</p> |
|--|--|