

4

3

2

1

D

D

C

C

B

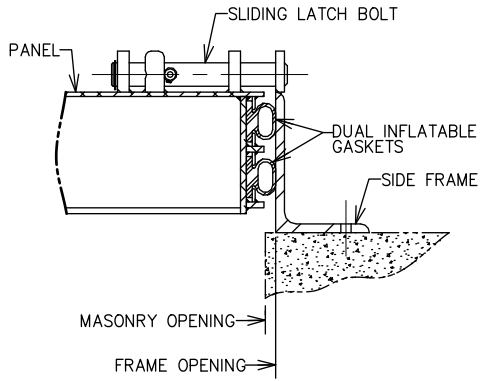
B

B

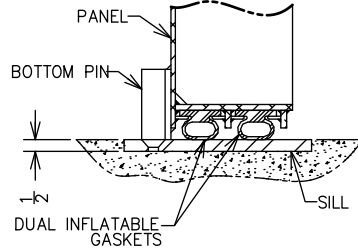
B

A

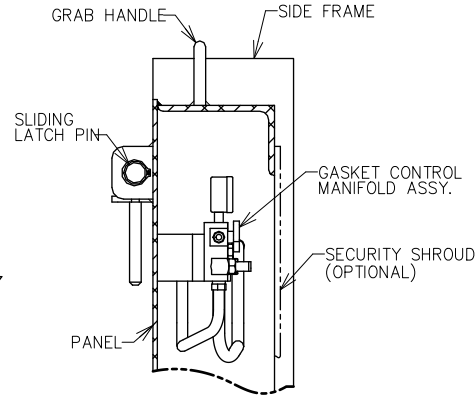
A



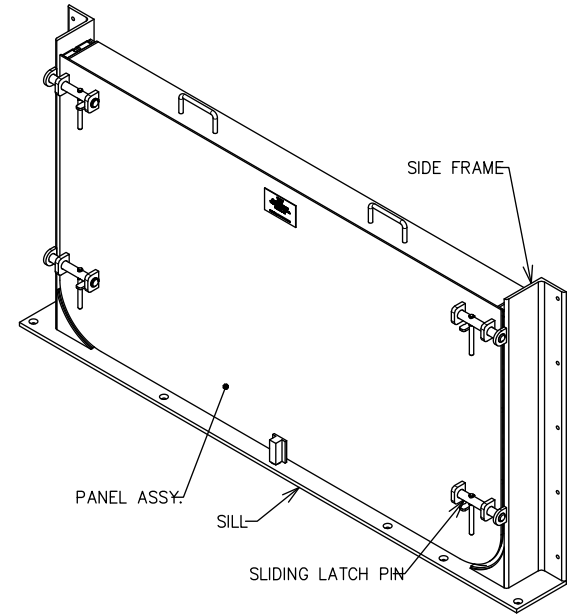
TYPICAL JAMB SECTION



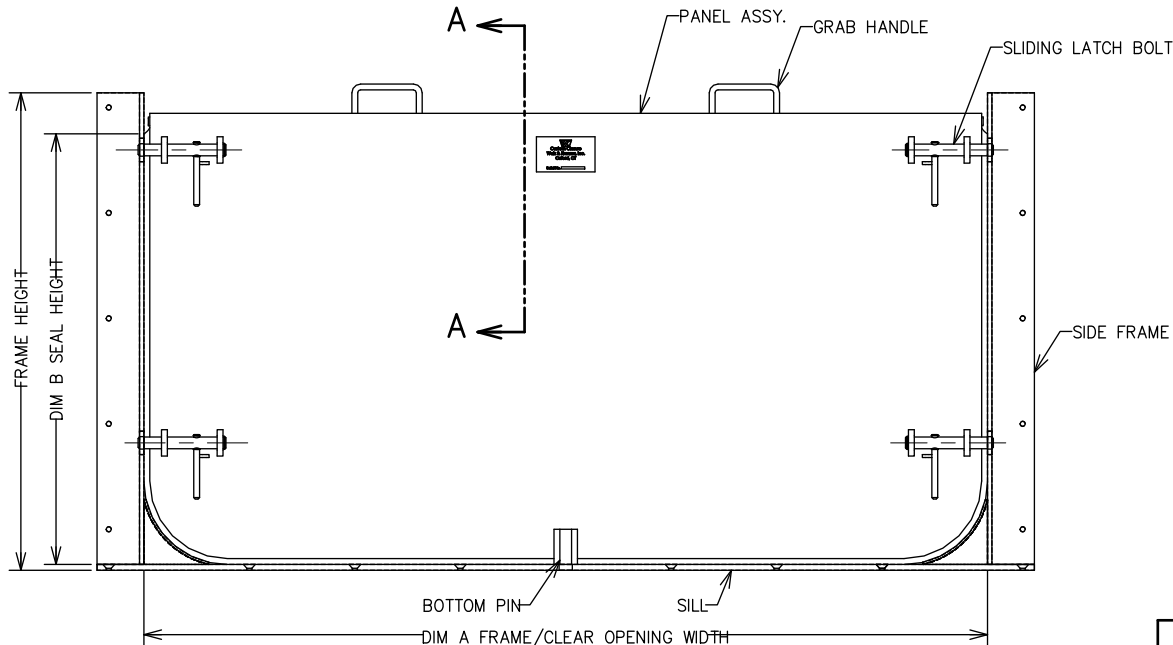
TYPICAL SILL SECTION
FLUSH SILL SHOWN
SILL CAN BE BOLTED TO TOP OF CONCRETE



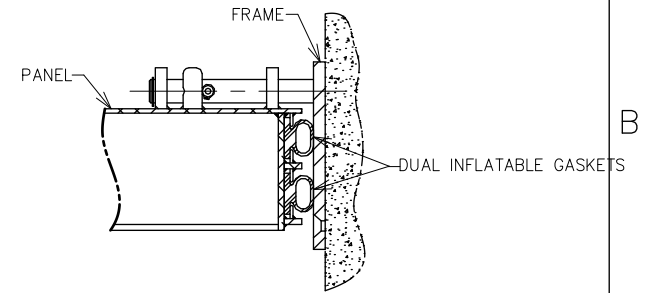
SECTION A-A



ISOMETRIC VIEW



ELEVATION VIEW



ALTERNATIVE JAMB MOUNTING

NOTE: ALL DIMENSIONS ARE IN INCHES.
NOT ALL VIEWS ARE TO SCALE.

<p>THIS DRAWING CONTAINS COMPANY PROPRIETARY INFORMATION AND IS COPYRIGHTED BY WALZ & KRENZER (W&K). W&K ALLOWS USE OF THIS DRAWING IN SPECIFICATIONS AND PLANS ONLY IF W&K IS LISTED AS A QUALIFIED SUPPLIER.</p>	<p>W&K WALZ & KRENZER, INC. 91 WILLENBROCK RD., UNIT B-4 OXFORD, CT. 06478 WEB SITE: www.wkdoors.com</p> <p>REMOVABLE INFLATABLE GASKET FLOOD BARRIER (MODEL FP-1)</p>
--	---

4

3

2

1