

4

3

2

1

D

D

C

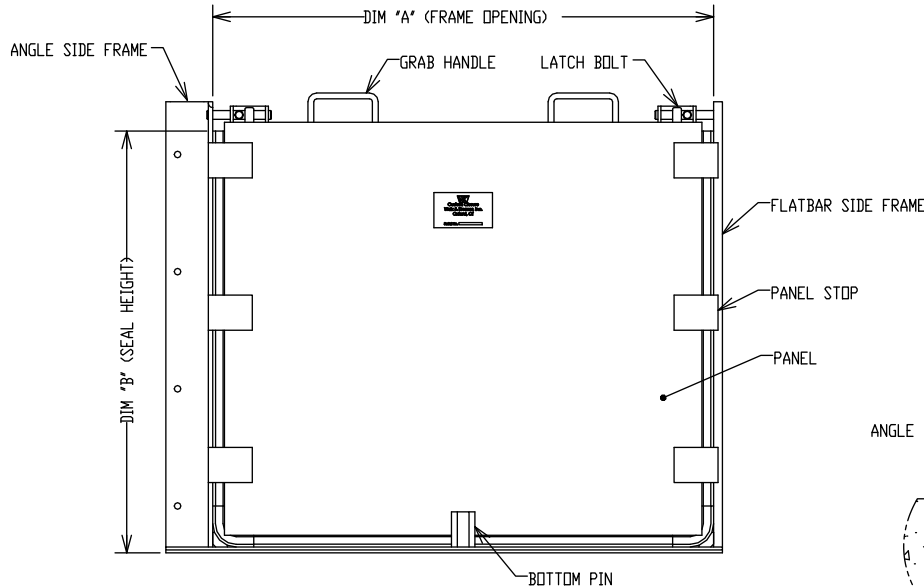
C

B

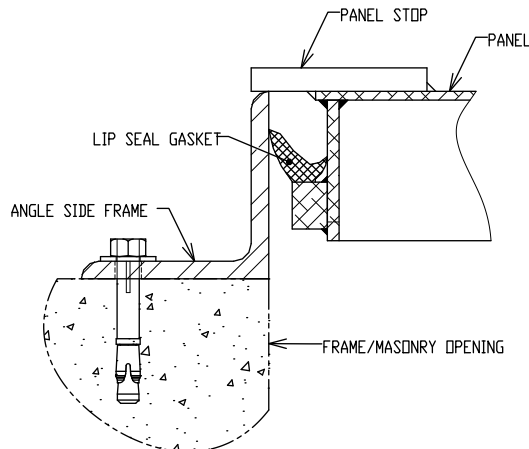
B

A

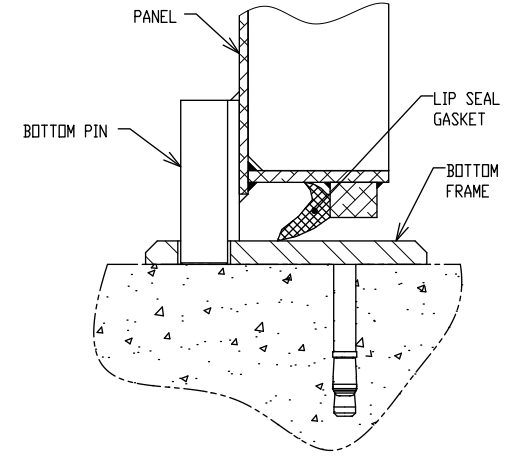
A



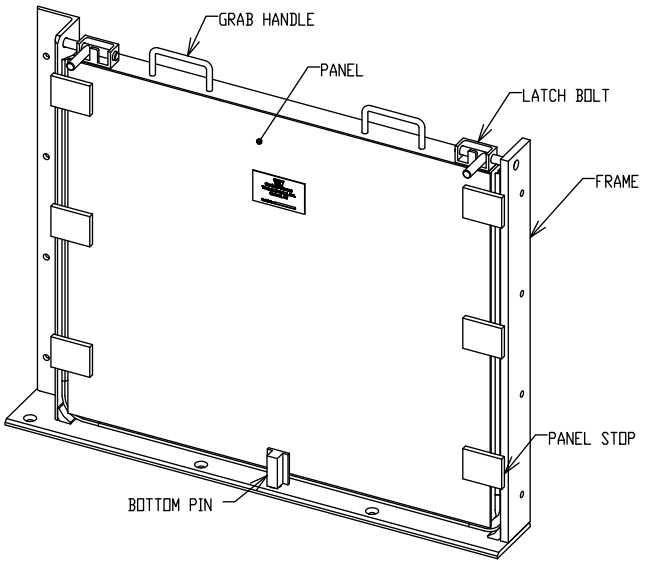
ELEVATION VIEW



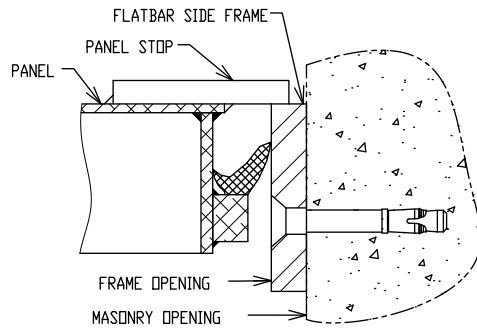
SEALED JAMB  
BOLTED ANGLE FRAME



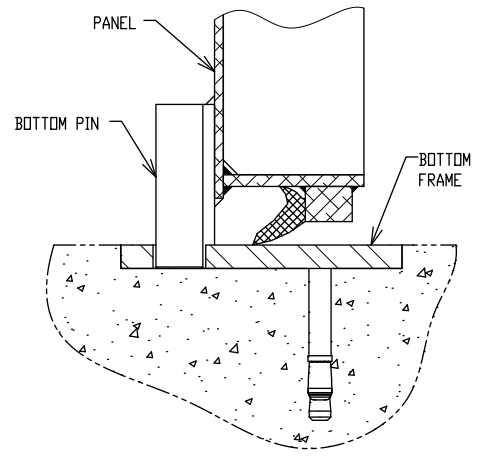
SEALED SILL  
RAISED BOTTOM FRAME



LIP SEAL FLOOD BARRIER



SEALED JAMB  
BOLTED FLATBAR FRAME



SEALED SILL  
FLUSH BOTTOM FRAME

NOTE: ALL DIMENSIONS ARE IN INCHES.  
NOT ALL VIEWS TO SCALE.

THIS DRAWING CONTAINS COMPANY PROPRIETARY INFORMATION AND IS COPYRIGHTED BY WALZ & KRENZER (W&K). W&K ALLOWS USE OF THIS DRAWING IN SPECIFICATIONS AND PLANS ONLY IF W&K IS LISTED AS A QUALIFIED SUPPLIER.

**W&K** WALZ & KRENZER, INC.  
91 VILLENBROCK RD., UNIT B-4 DEXFORD, CT. 06478  
WEB SITE: [www.wkdoors.com](http://www.wkdoors.com)

REMOVABLE LIP SEAL  
FLOOD BARRIER  
(MODEL FP-LS)

4

3

2

1