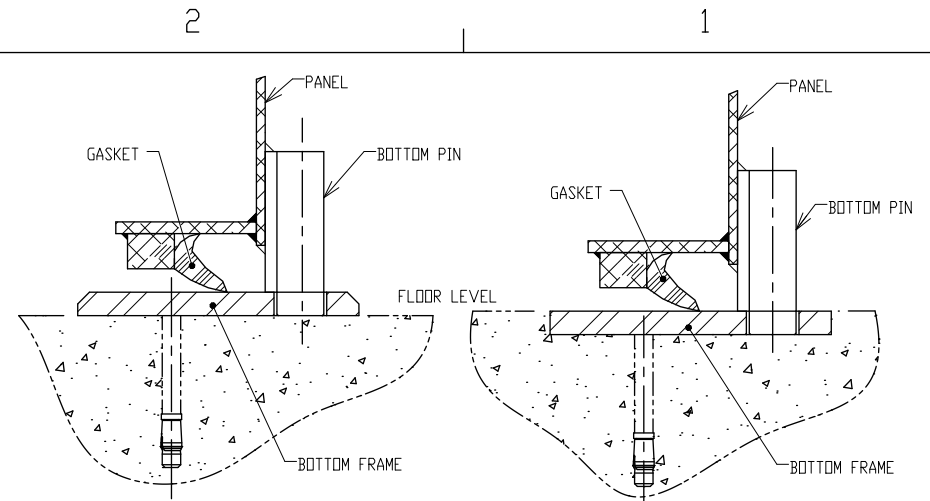


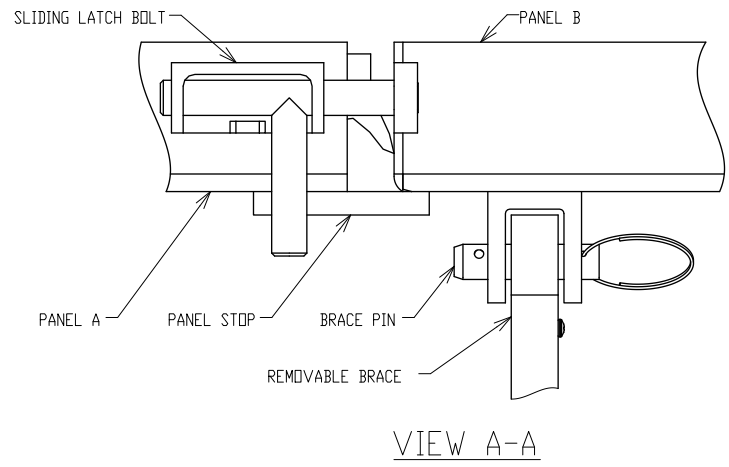
SEALED JAMB
ANGLE FRAME SHOWN

SEALED JAMB
FLAT BAR FRAME SHOWN

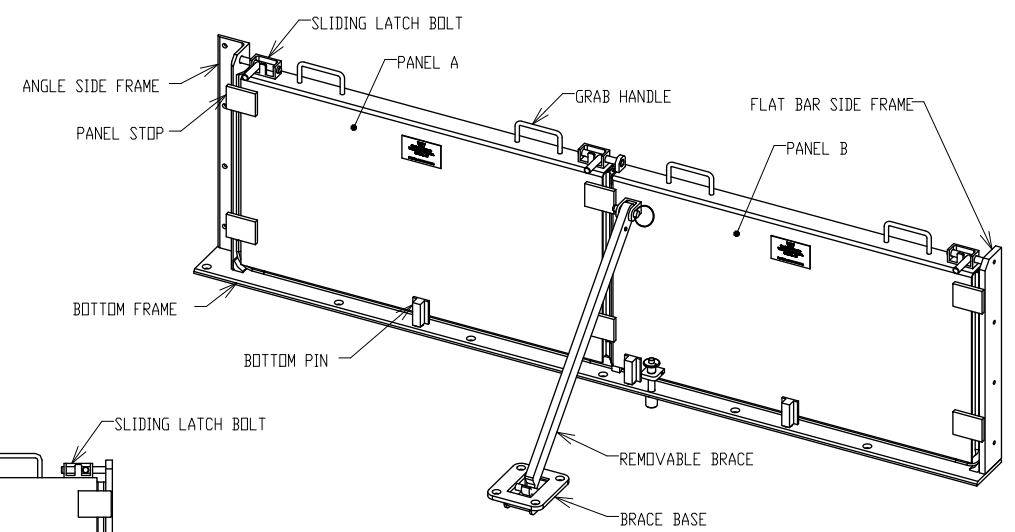


SEALED SILL
RAISED FRAME SHOWN

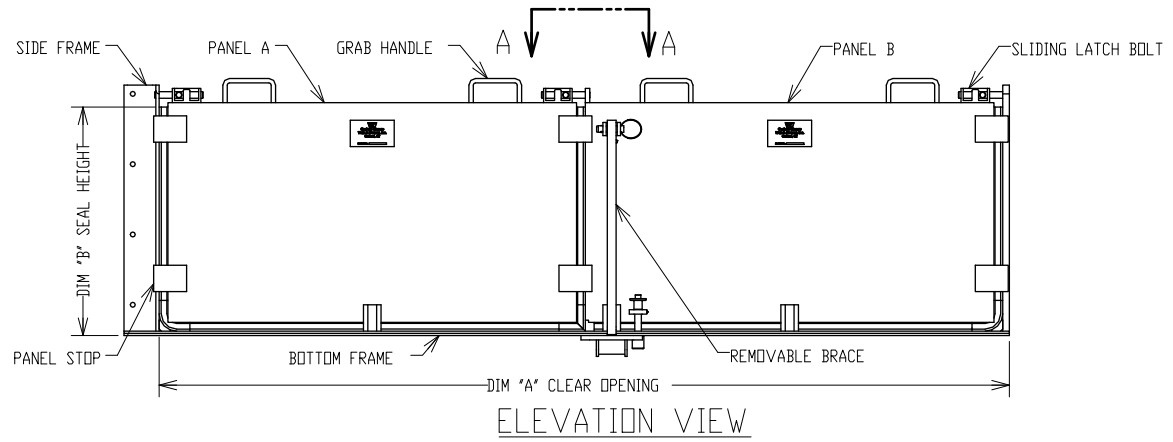
SEALED SILL
RECESSED FRAME SHOWN



VIEW A-A



ISOMETRIC VIEW



ELEVATION VIEW

NOTE: ALL DIMENSIONS ARE IN INCHES.
NOT ALL VIEWS ARE TO SCALE.

THIS DRAWING CONTAINS COMPANY PROPRIETARY INFORMATION AND IS COPYRIGHTED BY WALZ & KRENZER (W&K). W&K ALLOWS USE OF THIS DRAWING IN SPECIFICATIONS AND PLANS ONLY IF W&K IS LISTED AS A QUALIFIED SUPPLIER.

W&K WALZ & KRENZER, INC.
91 VILLENBROCK RD., UNIT B-4 DIXFORD, CT. 06478
WEB SITE: www.wkdoors.com

MULTI-PANEL REMOVABLE LIP SEAL FLOOD BARRIER (MODEL FP-M)