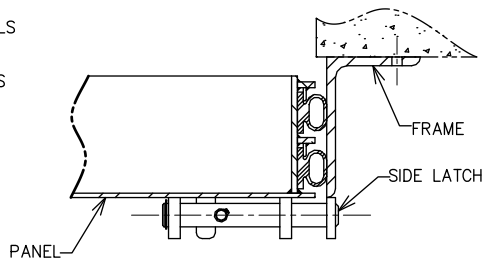
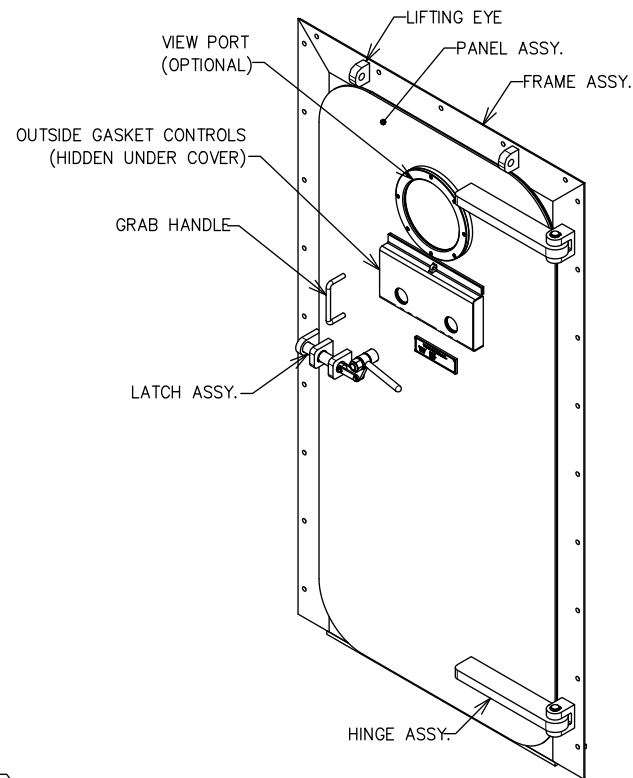


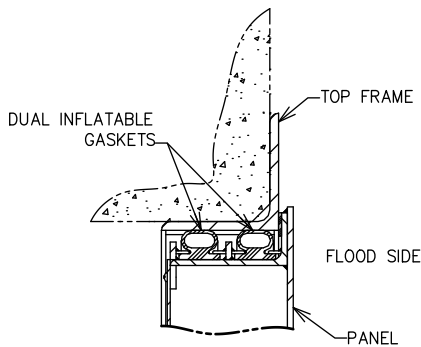
TYPICAL GASKET CONTROL DETAIL



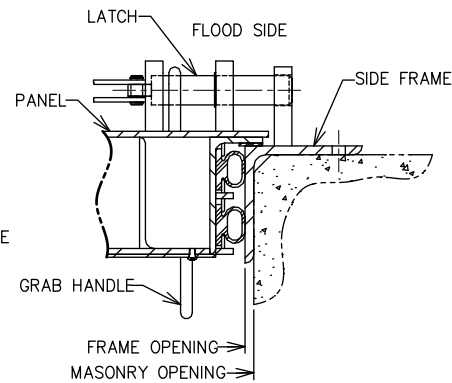
FLOOD SIDE  
 ALTERNATIVE FRAME MOUNTING FOR SIDE AND HEAD



ISOMETRIC VIEW

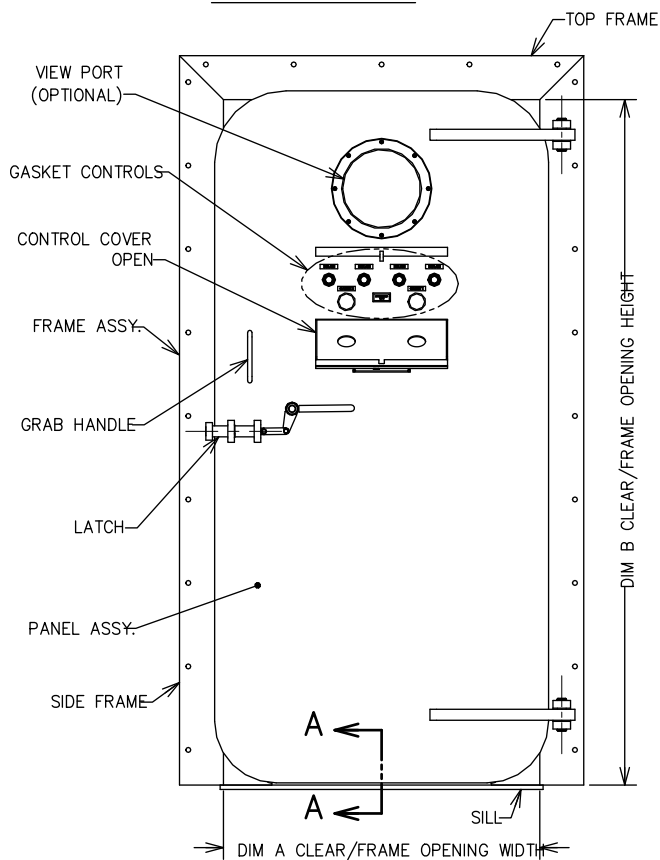


TYPICAL HEAD SECTION

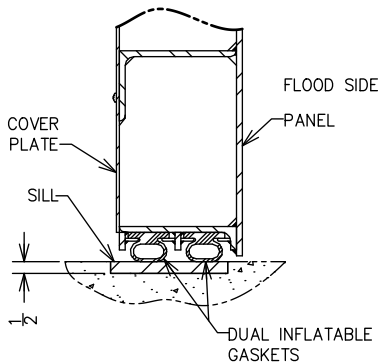


TYPICAL JAMB SECTION

NOTE: ALL DIMENSIONS ARE IN INCHES.  
 NOT ALL VIEWS ARE TO SCALE.



ELEVATION VIEW  
 VIEWED FROM FLOOD SIDE



TYPICAL SILL SECTION

FLUSH SILL SHOWN,  
 SILL CAN BE BOLTED TO TOP OF CONCRETE

THIS DRAWING CONTAINS COMPANY PROPRIETARY INFORMATION AND IS COPYRIGHTED BY WALZ & KRENZER (W&K). W&K ALLOWS USE OF THIS DRAWING IN SPECIFICATIONS AND PLANS ONLY IF W&K LISTED AS A QUALIFIED SUPPLIER.	<b>WALZ &amp; KRENZER, INC.</b> 91 WILLENBROCK RD., UNIT B-4 OXFORD, CT. 06478 WEB SITE: <a href="http://www.wkdoors.com">www.wkdoors.com</a>
	<b>WATERTIGHT/AIRTIGHT          SINFLATABLE GASKET DOOR          (MODEL WT-FD-ID)</b>