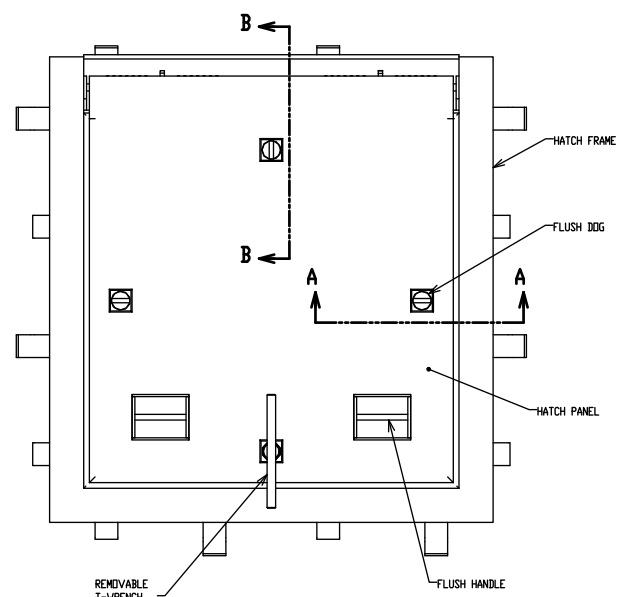
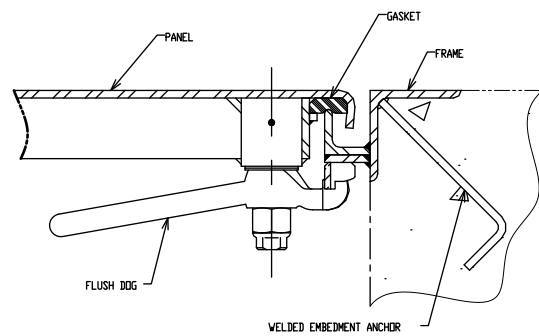


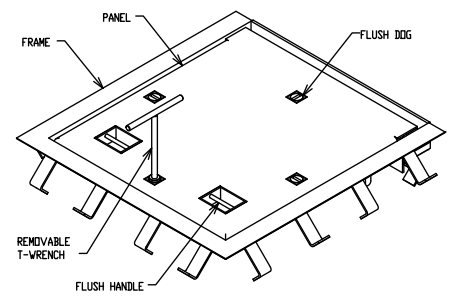
REVISION HISTORY				
REV.	DESCRIPTION	DATE	DRAWN	APPROVED



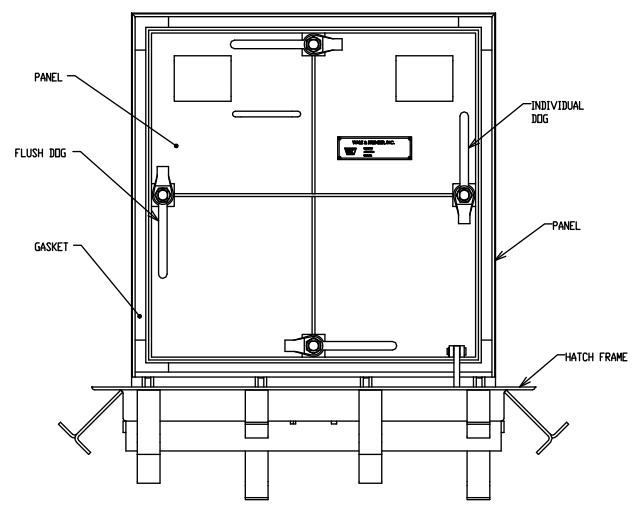
PLAN VIEW  
HATCH SHOWN CLOSED



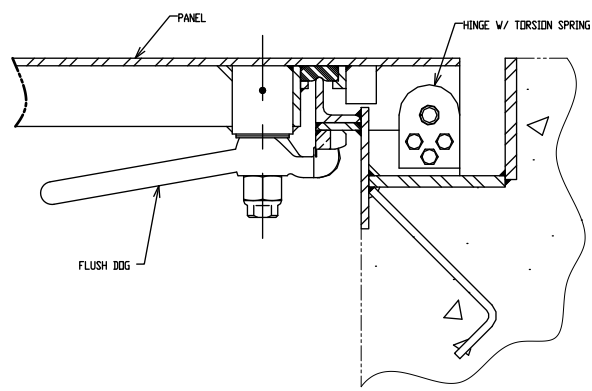
SECTION A-A



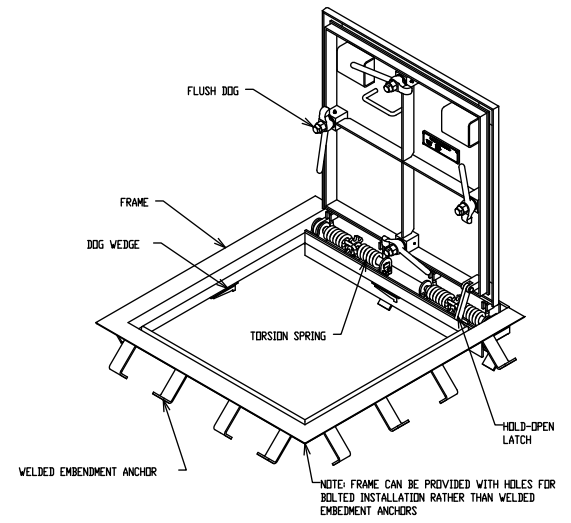
ISOMETRIC VIEW  
HATCH SHOWN CLOSED



PLAN VIEW  
HATCH SHOWN OPEN



SECTION B-B  
VIEW ROTATED 90°



ISOMETRIC VIEW  
HATCH SHOWN OPEN

NOTE: ALL DIMENSIONS ARE IN INCHES.  
NOTE: ALL VIEWS ARE TO SCALE.

<p>THIS DRAWING CONTAINS COMPANY PROPRIETARY AND CONFIDENTIAL INFORMATION AND IS NOT TO BE COPIED, DISCLOSED TO OTHERS OR USED IN ANY MANNER WITHOUT PRIOR PERMISSION OF WALZ &amp; KRENZER, INC.</p>	<p><b>WK</b> WALZ &amp; KRENZER, INC. 91 WILLENBROOK RD., UNIT 3-4 DUFFIELD, CT. 06478 WEB SITE: <a href="http://www.wkdoors.com">www.wkdoors.com</a></p>
	<p>FLUSH HATCH (MODEL WTH-F)</p>