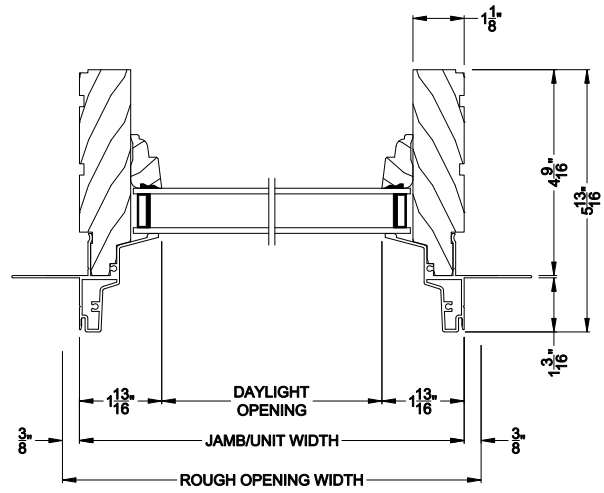
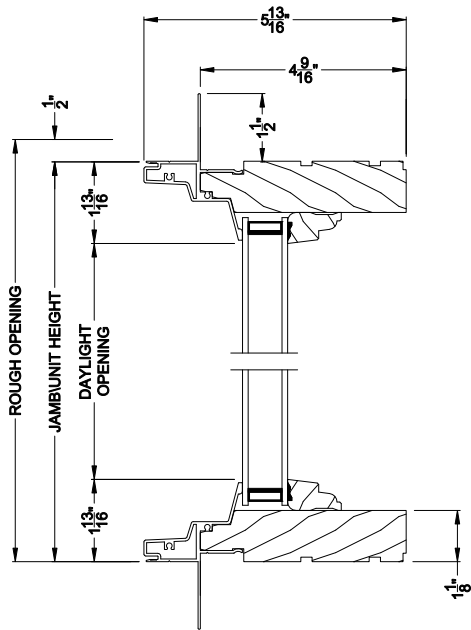


Weather Shield®

Premium Series™

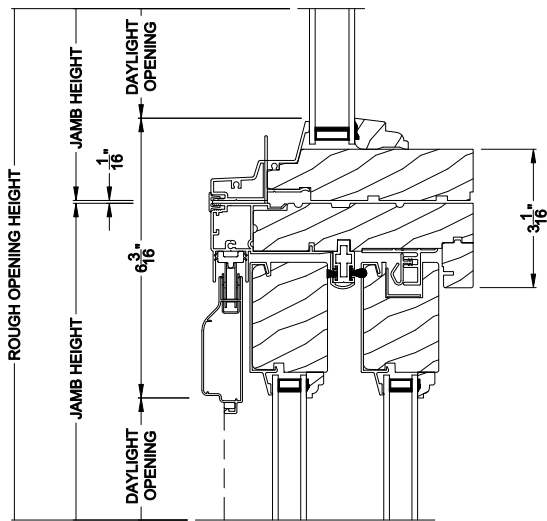
Sliding Door Transom

CROSS SECTION DETAILS

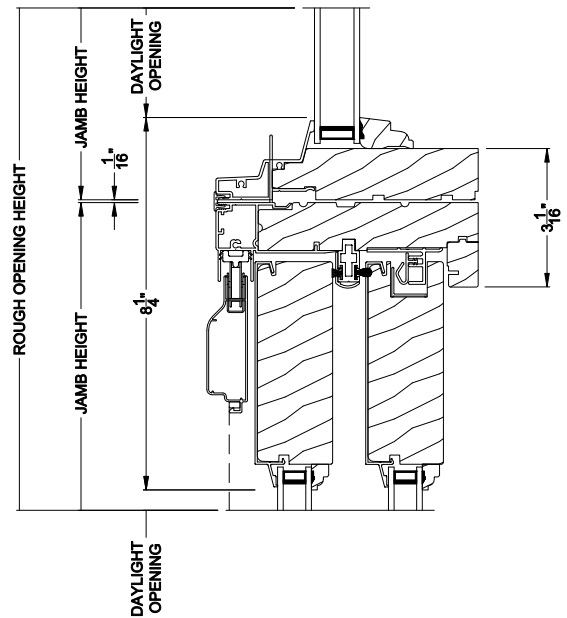


PREMIUM SLIDING DOOR TRANSOM (8300)
Horizontal Section

PREMIUM SLIDING DOOR TRANSOM (8300)
Vertical Section



PREMIUM SLIDING DOOR TRANSOM (8300)
Horizontal Stack Section - Transom stack over Sliding door



PREMIUM SLIDING DOOR TRANSOM (8300)
Horizontal Stack Section - Transom stack over French Sliding door

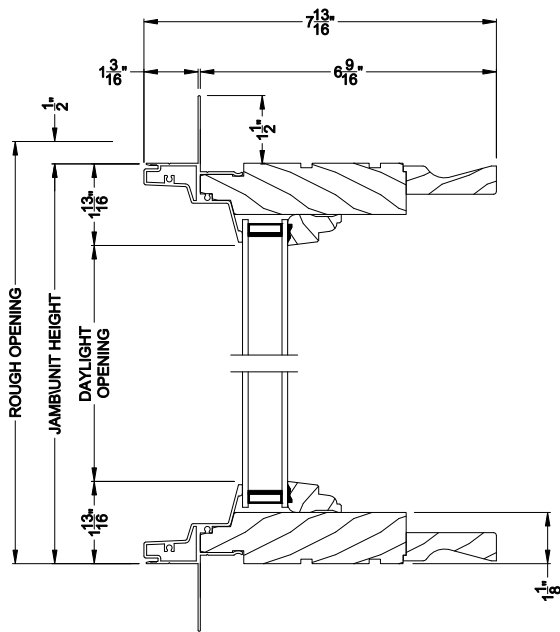
Note: All dimensions are approximate. Weather Shield reserves the right to change specifications without notice.

Weather Shield®

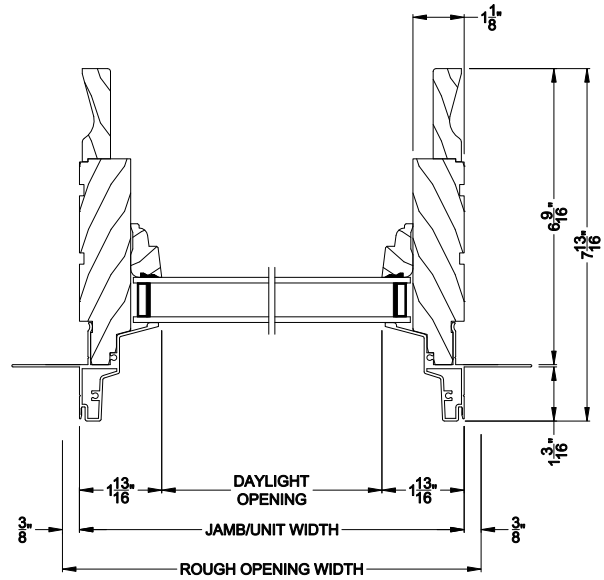
Premium Series™

Sliding Door Transom

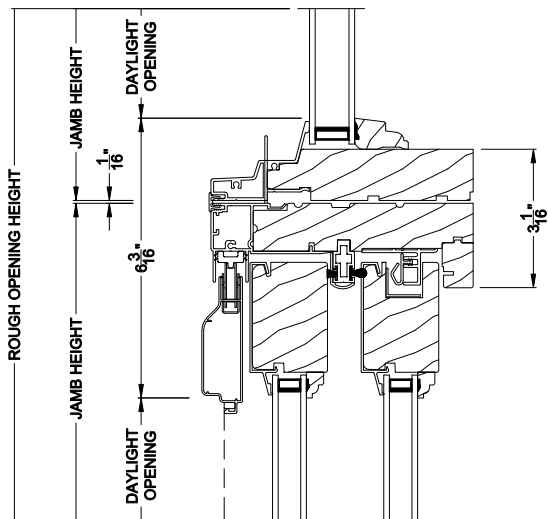
CROSS SECTION DETAILS



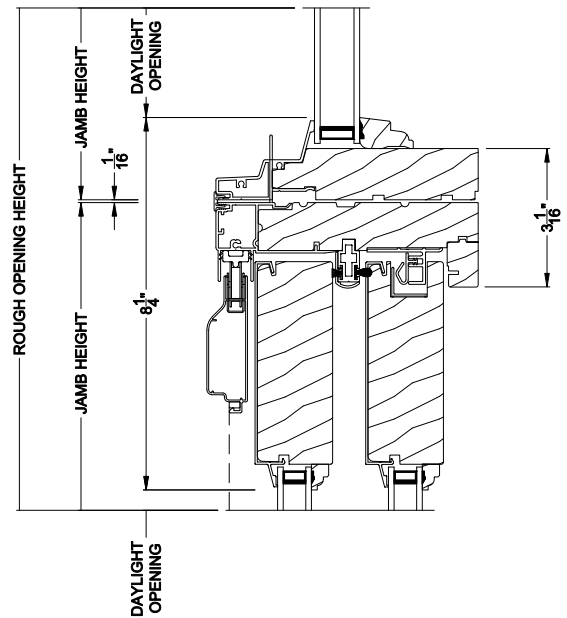
PREMIUM SLIDING DOOR TRANSOM (8300)
Vertical Section - 6-9/16" Jamb



PREMIUM SLIDING DOOR TRANSOM (8300)
Horizontal Section - 6-9/16" Jamb



PREMIUM SLIDING DOOR TRANSOM (8300)
Horizontal Stack Section - Transom stack over Sliding door



PREMIUM SLIDING DOOR TRANSOM (8300)
Horizontal Stack Section - Transom stack over French Sliding door

Note: All dimensions are approximate. Weather Shield reserves the right to change specifications without notice.