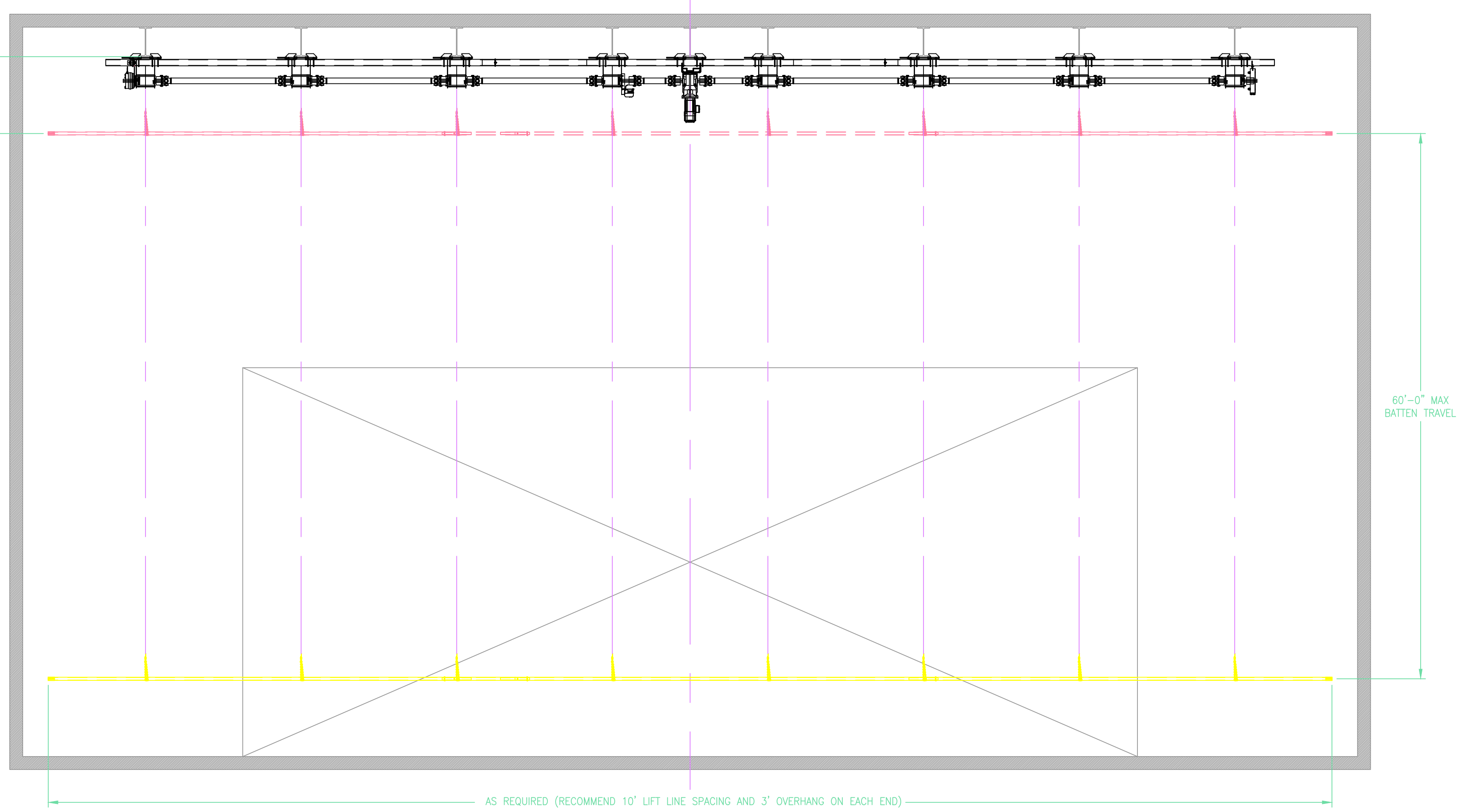
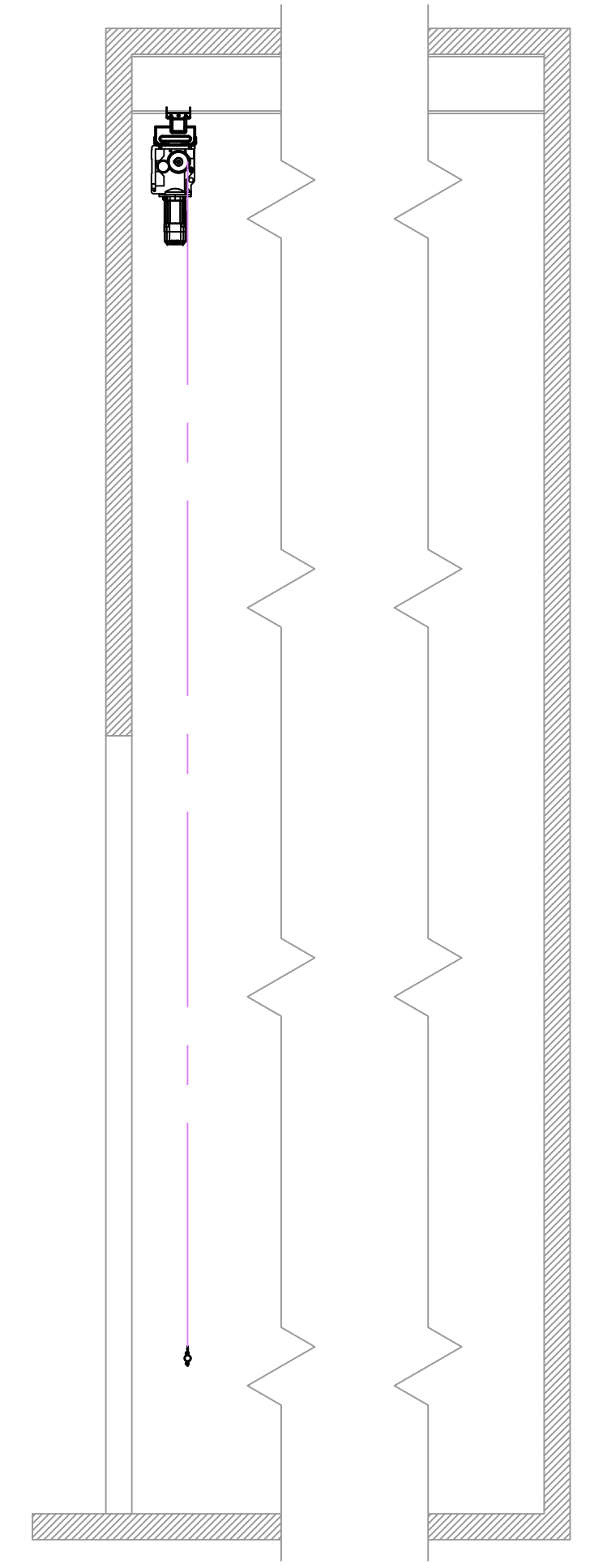


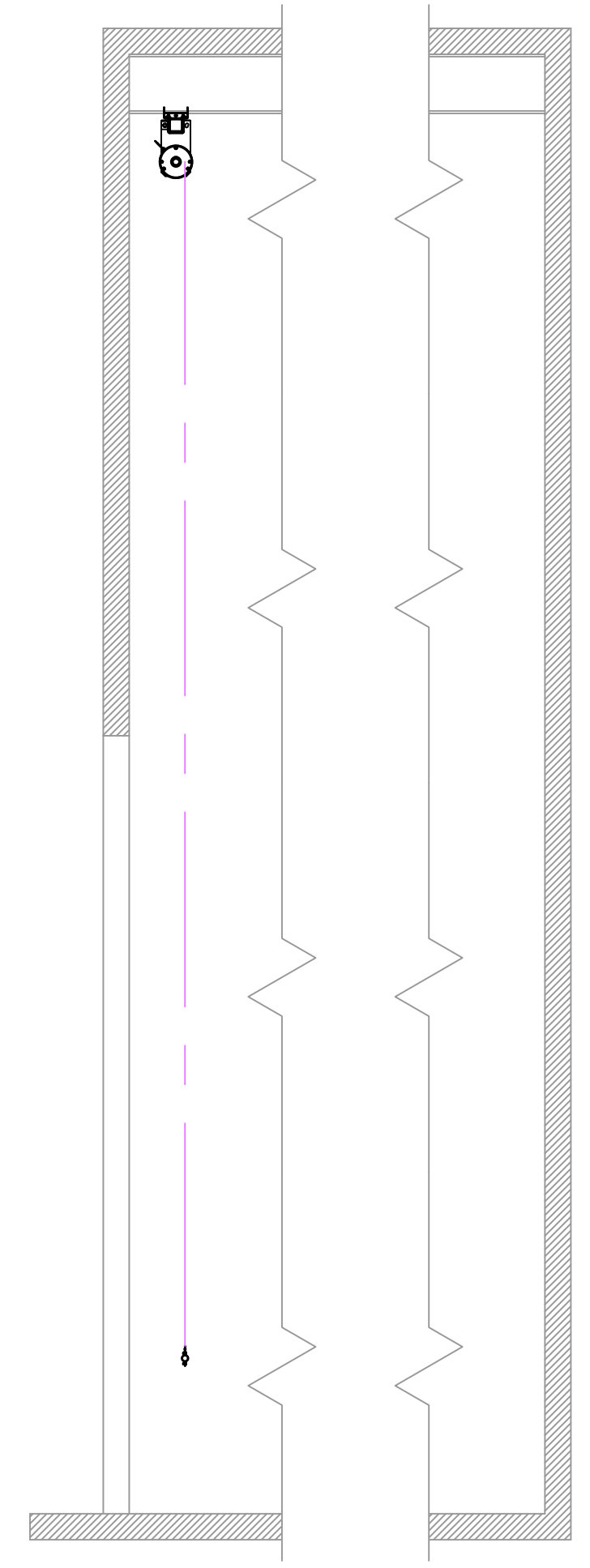
VARIES BASED ON MOTOR AND CABLE MANAGEMENT MUST BE 6" BELOW LOWEST OBSTRUCTION



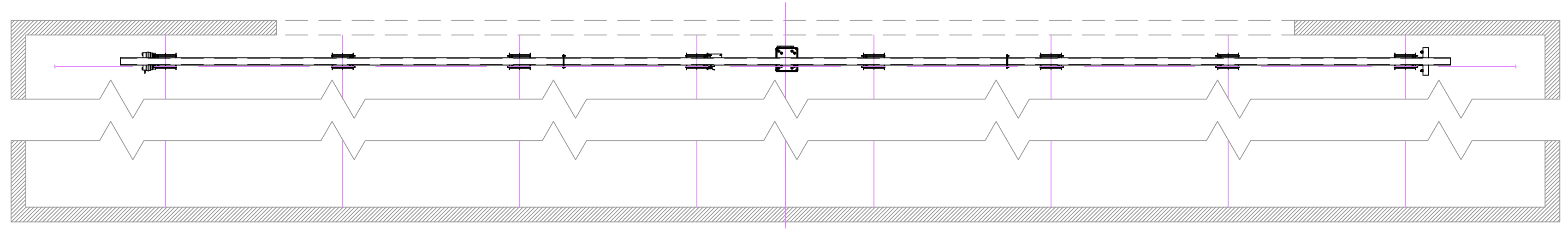
1 POWERLINE HOIST ELEVATION  
PLN-2 SCALE: NONE



3 POWERLINE HOIST MOTOR SECTION  
PLN-2 SCALE: NONE



4 POWERLINE HOIST BRAKE SECTION  
PLN-2 SCALE: NONE



2 POWERLINE HOIST PLAN  
PLN-2 SCALE: NONE

TABLE 1

PART NUMBER	SPEED (FT/MIN [M/SEC])	SET CAPACITY (LBS [KG])	HOIST WEIGHT (LBS [KG])	HOIST TORQUE (LB-IN [N-M])	STALLING TORQUE (LB-IN [N-M])
018-PL0210	20 [0.1]	1000 [454]	2200 [998]	1888 [213]	17934 [2026]
018-PL0213	20 [0.1]	1250 [567]	2250 [1021]	2359 [267]	24400 [2757]
018-PL0216	20 [0.1]	1600 [726]	2280 [1034]	3020 [341]	28160 [3182]
018-PL0222	20 [0.1]	2150 [975]	2530 [1148]	4058 [458]	38280 [4325]
018-PL0225	20 [0.1]	2500 [1184]	2640 [1197]	4719 [533]	50000 [5649]
018-PL1113	0-110 [0-0.56]	1300 [590]	2320 [1052]	2454 [277]	24860 [2809]
018-PL1420	0-140 [0-0.71]	1950 [885]	2420 [1098]	3681 [416]	33411 [3775]
018-PL2423	0-240 [0-1.2]	2300 [1043]	2810 [1275]	4341 [490]	39786 [4495]

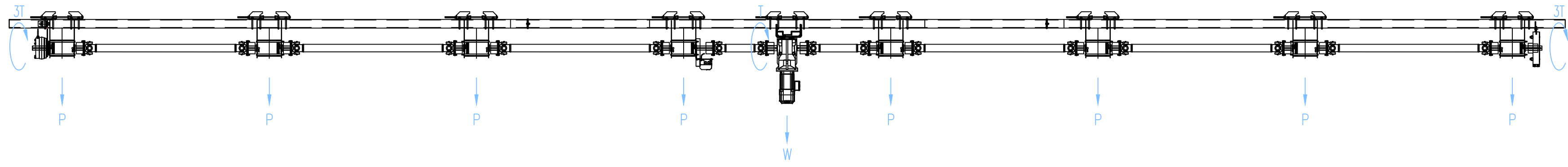
THE VALUES IN THE TABLE ARE FOR THE CONFIGURATION SHOWN. FOR OTHER CONFIGURATIONS THE VALUES MAY BE DIFFERENT. PLEASE CONTACT A JR CLANCY REPRESENTATIVE FOR MORE INFORMATION ON YOUR CONFIGURATION.

ADDITIONAL CONFIGURATIONS:

- MOTOR ONE END AND BRAKE ON OTHER END
- TWO MOTORS, ONE ON EACH END OF THE HOIST
- HOIST UPRIGHT

OPTIONS:

- SUREBRAKE™ ELECTRIC BRAKE OR OVERSPEED SECONDARY BRAKE
- CROSS GROOVE AND SLACK LINE DETECTORS
- LOAD CELLS
- POSITION ENCODER
- ADDITIONAL LIMIT SWITCHES



5 POWERLINE RIGGING LOADS  
PLN-2 SCALE: NONE

LOADING NOTES:  
P (DRUM LINE LOAD) = 0 TO 750 LB  
T (HOIST TORQUE) = SEE TABLE 1  
STALLING TORQUE = SEE TABLE 1  
W (HOIST WEIGHT) = SEE TABLE 1  
1. SET CAPACITY = SEE TABLE 1  
2. TOTAL LINE LOAD ON ALL DRUMS NOT TO EXCEED SET CAPACITY.  
3. LINE LOAD ON EACH DRUM NOT TO EXCEED DRUM CAPACITY (P).

**JRCLANCY**  
(315)451-3440 7041 Interstate Island Rd., Syracuse, N.Y. 13209

**POWERLINE HOIST**  
**1/4" CABLE**

TITLE: NONE FILE NAME: PLN-2.dwg  
SCALE: NONE  
DRAWN: SC SHEET NO: PLN-2  
DATE: 22AUG17

THIS DRAWING IS THE PROPERTY OF J.R. CLANCY INC. ANY USE AND/OR REPRODUCTION OF THIS DRAWING OR THE DESIGNS CONTAINED HEREIN, WITHOUT WRITTEN CONSENT OF J.R. CLANCY INC., IS PROHIBITED. J.R. CLANCY INC. IS NOT RESPONSIBLE FOR THE UNAUTHORIZED USE AND/OR ALTERATION OF THIS DRAWING OR THE DESIGNS CONTAINED HEREIN. COPYRIGHT 2017 J.R. CLANCY INC.