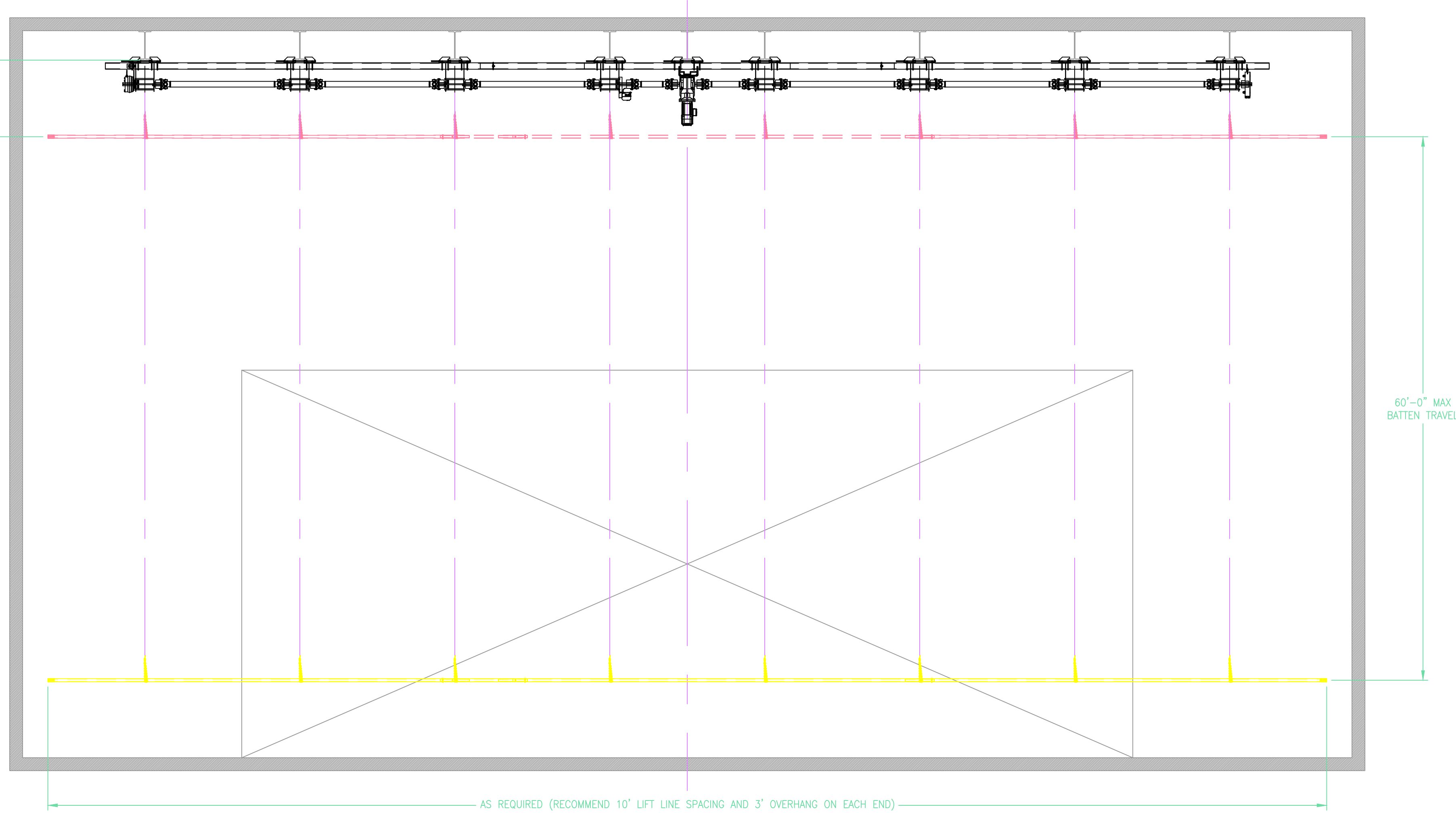
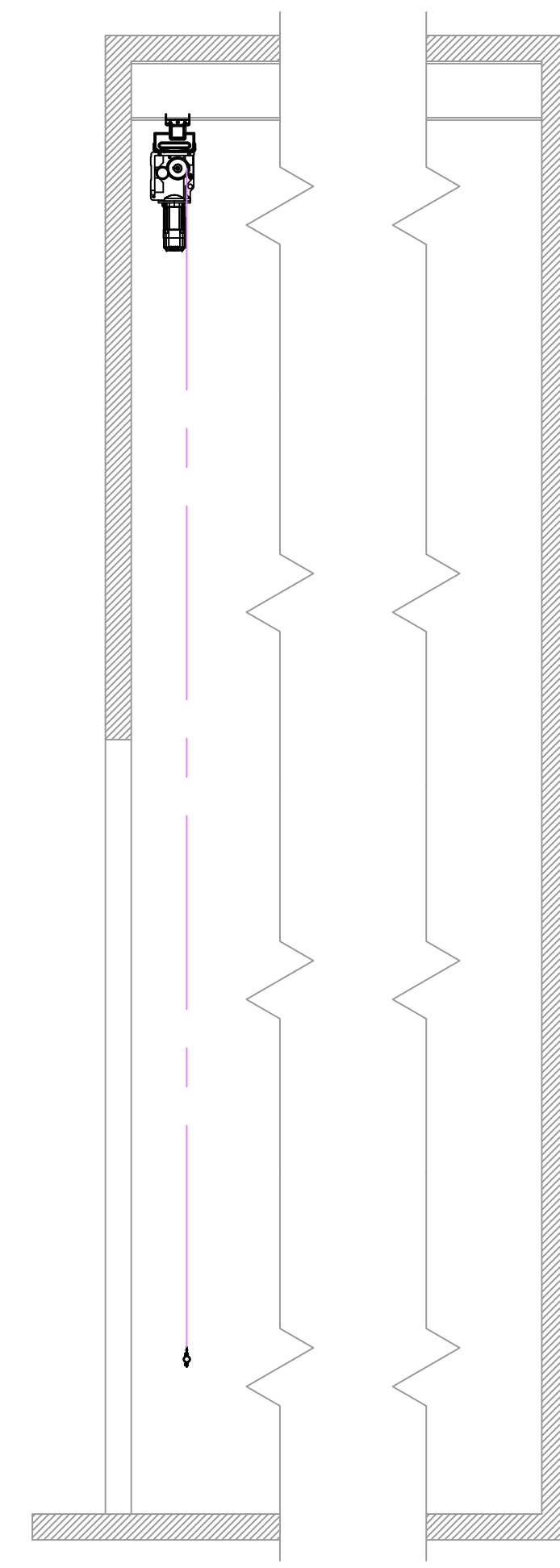


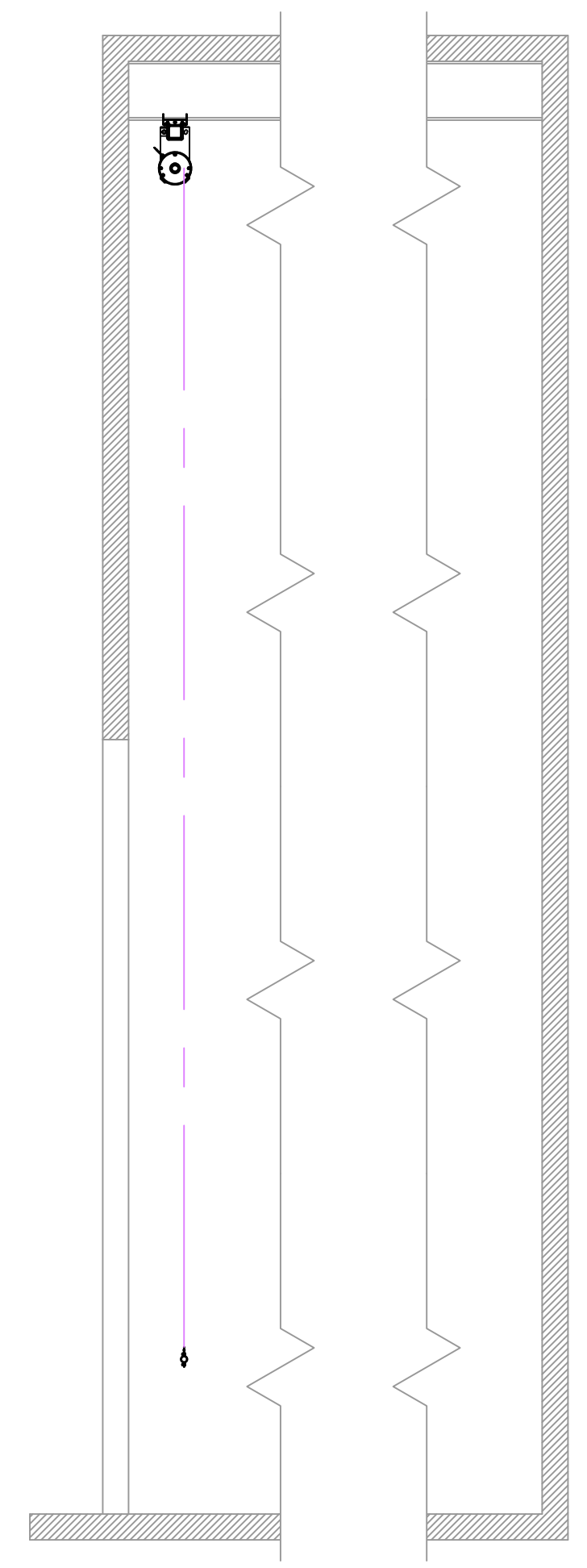
VARIES BASED ON MOTOR AND CABLE MANAGEMENT MUST BE 6" BELOW LOWEST OBSTRUCTION



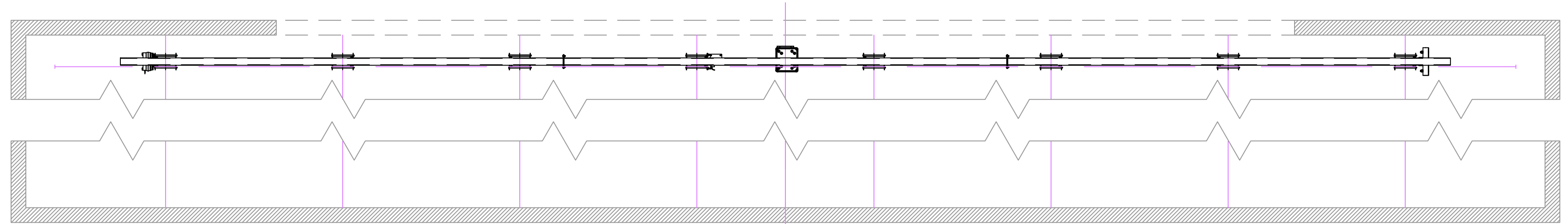
1 POWERLINE HOIST ELEVATION
PLN-1 SCALE: NONE



3 POWERLINE HOIST MOTOR SECTION
PLN-1 SCALE: NONE



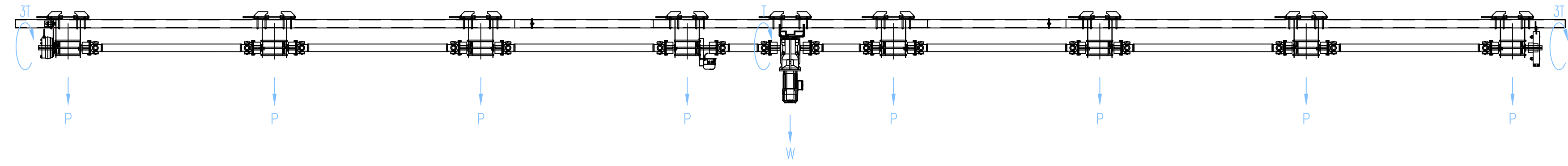
4 POWERLINE HOIST BRAKE SECTION
PLN-1 SCALE: NONE



2 POWERLINE HOIST PLAN
PLN-1 SCALE: NONE

TABLE 1					
PART NUMBER	SPEED (FT/MIN [M/SEC])	SET CAPACITY (LBS [KG])	HOIST WEIGHT (LBS [KG])	HOIST TORQUE (LB-IN [N-M])	STALLING TORQUE (LB-IN [N-M])
018-PL0210	20 [0.1]	1000 [454]	1990 [903]	1408 [159]	13776 [1556]
018-PL0213	20 [0.1]	1250 [567]	2000 [907]	1760 [199]	17440 [1970]
018-PL0216	20 [0.1]	1600 [726]	2150 [975]	2252 [254]	20000 [2260]
018-PL0222	20 [0.1]	2150 [975]	2180 [989]	3027 [342]	27160 [3069]
018-PL0225	20 [0.1]	2500 [1184]	2460 [1116]	3519 [398]	41874 [4731]
018-PL1113	0-110 [0-0.56]	1300 [590]	2150 [975]	1830 [207]	17996 [2033]
018-PL1420	0-140 [0-0.71]	1950 [885]	2280 [1034]	2745 [310]	22533 [2546]
018-PL2423	0-240 [0-1.2]	2300 [1043]	2600 [1179]	3238 [366]	27930 [3156]

THE VALUES IN THE TABLE ARE FOR THE CONFIGURATION SHOWN. FOR OTHER CONFIGURATIONS THE VALUES MAY BE DIFFERENT. PLEASE CONTACT A JR CLANCY REPRESENTATIVE FOR MORE INFORMATION ON YOUR CONFIGURATION.



5 POWERLINE RIGGING LOADS
PLN-1 SCALE: NONE

LOADING NOTES:
 P (DRUM LINE LOAD) = 0 TO 500 LB
 T (HOIST TORQUE) = SEE TABLE 1
 STALLING TORQUE = SEE TABLE 1
 W (HOIST WEIGHT) = SEE TABLE 1
 1. SET CAPACITY = SEE TABLE 1
 2. TOTAL LINE LOAD ON ALL DRUMS NOT TO EXCEED SET CAPACITY.
 3. LINE LOAD ON EACH DRUM NOT TO EXCEED DRUM CAPACITY (P).

- ADDITIONAL CONFIGURATIONS:
- MOTOR ONE END AND BRAKE ON OTHER END
 - TWO MOTORS, ONE ON EACH END OF THE HOIST
 - HOIST UPRIGHT
- OPTIONS:
- SUREBRAKE™ ELECTRIC BRAKE OR OVERSPEED SECONDARY BRAKE
 - CROSS GROOVE AND SLACK LINE DETECTORS
 - LOAD CELLS
 - POSITION ENCODER
 - ADDITIONAL LIMIT SWITCHES

JRCLANCY
 (315)451-3440 7041 Interstate Island Rd., Syracuse, N.Y. 13209

POWERLINE HOIST
3/16" CABLE

TITLE: _____
 NONE PLN-1.dwg
 SCALE: _____ FILE NAME: _____
 DRAWN: SC SHEET NO. PLN-1
 DATE: 22AUG17

THIS DRAWING IS THE PROPERTY OF J.R. CLANCY INC. ANY USE AND/OR REPRODUCTION OF THIS DRAWING OR THE DESIGNS CONTAINED HEREIN, WITHOUT WRITTEN CONSENT OF J.R. CLANCY INC., IS PROHIBITED. J.R. CLANCY INC. IS NOT RESPONSIBLE FOR THE UNAUTHORIZED USE AND/OR ALTERATION OF THIS DRAWING OR THE DESIGNS CONTAINED HEREIN. COPYRIGHT 2017 J.R. CLANCY INC.