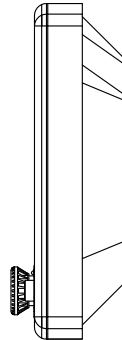
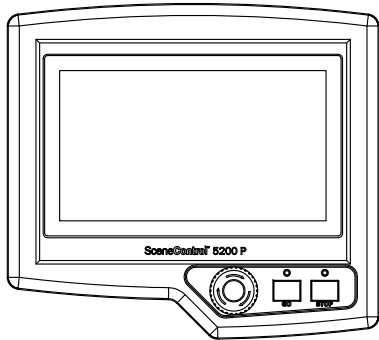
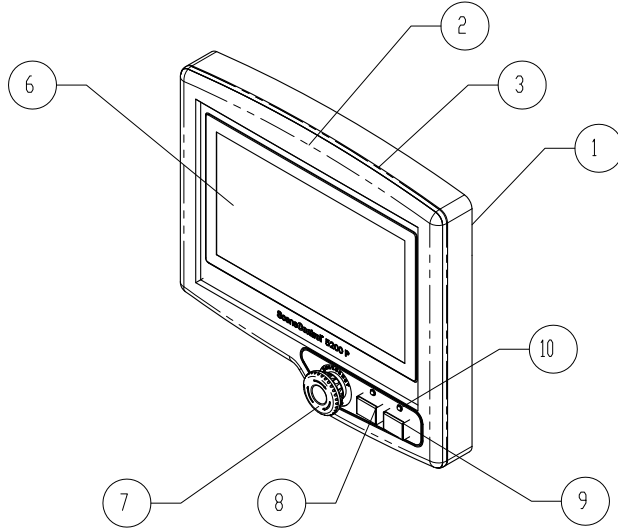
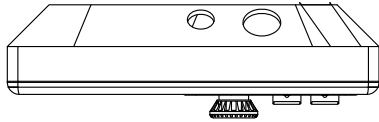


STANDARD TOLERANCES UNLESS NOTED OTHERWISE		FINISHES	1/2" 1/4" 3/16" 1/8" 3/32" 1/16"	WELDING	WELDED	FINISHES	0.005" 0.002" 0.001" 0.0005"	0.005" 0.002" 0.001" 0.0005"	0.005" 0.002" 0.001" 0.0005"
NUMBER	DATE	DRAWN	REVISIONS						
0	—	—	INITIAL DESIGN						



ITEM NO.	PART NUMBER	PART DESCRIPTION	NUMBER OF PIECES	PER ASSY
10	LES-4	PANEL-MOUNT LED	-	2
9	DEC-400M-R	PUSHBUTTON - MOMENTARY, RED	-	1
8	DEC-400M-G	PUSHBUTTON - MOMENTARY, GREEN	-	1
7	DEC-400M	E-STOP BUTTON	-	1
6	-	TOUCH PANEL - MODA 100X1 ACTUAL	-	1
5	-	SPND PLATE - BOTTOM	-	1
4	-	SPND PLATE - TOP	-	1
3	-	RANDBOUT TOUCH CORNER PROTECTION	-	1
2	-	RANDBOUT TOUCH TOP	-	1
1	-	RANDBOUT TOUCH BOTTOM	-	1

PROJECT CITY, ST		064-SC5200P SC5200 PN0T, 10.1" TOUCHSCREEN DIMENSIONAL DETAILS	
ARCHITECT -	CONTRACTOR -	FILE NAME: 064-SC5200P	DRAWING NO: XXXXX
JRCLANCY 2014 Interstate Industrial Bldg., Syracuse, NY, 13208		SCALE: 1/4"=1"	DATE: 02/04/11
THIS DRAWING IS THE PROPERTY OF J.R. CLANCY INC. ANY USE AND/OR REPRODUCTION OF THIS DRAWING OR THE DESIGN COVERED HEREIN, WITHOUT WRITTEN CONSENT OF J.R. CLANCY INC., IS PROHIBITED. J.R. CLANCY INC. IS NOT RESPONSIBLE FOR THE UNAUTHORIZED USE AND/OR ALTERATION OF THIS DRAWING OR THE DESIGN COVERED HEREIN. THE DRAWING IS SUBJECT TO REVISION AND APPROVAL BY THE PROJECT'S ARCHITECT AND/OR ENGINEER, AND IS SUBJECT TO J.R. CLANCY'S MANUFACTURING AND/OR INSTALLATION OF THE ITEM(S) REPRESENTED HEREIN. COPYRIGHT © J.R. CLANCY INC.		E2.30	