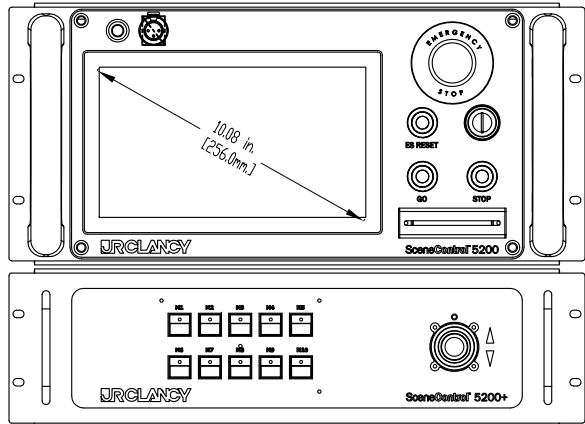
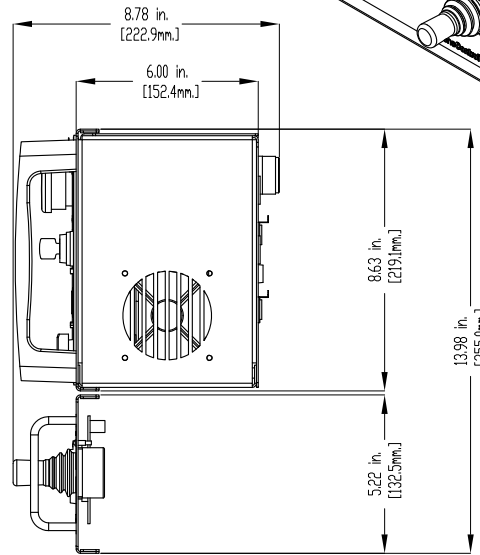
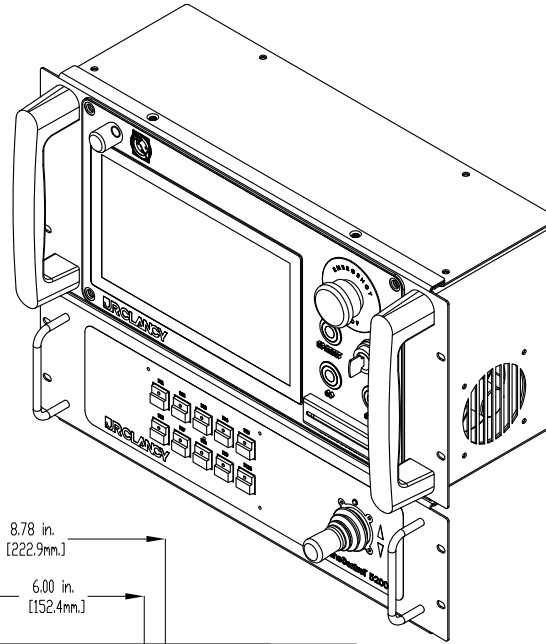
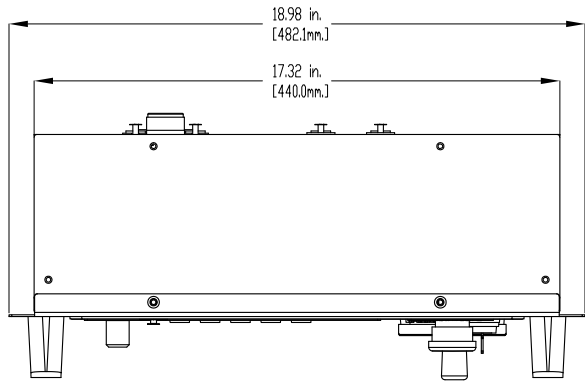


STANDARD TOLERANCES UNLESS NOTED OTHERWISE		DIMENSIONS		FINISHES	
NUMBER	DATE	DRAWN	REVISIONS	INITIAL DESIGN	REVISIONS
0	—	—	—	INITIAL DESIGN	—



<b>PROJECT</b> CITY, ST		064-SC5200R+ SC5200 RACK-MOUNT WITH F-KEYS DIMENSIONAL DETAILS	
PROJECT -	CONTRACTOR -	SCALE NOTED	DATE: 02/04/17
CONTRACTOR -	CONTRACTOR -	SCALE NOTED	DATE: 02/04/17
<small>©2014-2017 J.R. CLANCY INC., 7041 Interstate 190, Syracuse, NY 13209</small>		<small>THIS DRAWING IS THE PROPERTY OF J.R. CLANCY INC. ANY USE AND/OR REPRODUCTION OF THIS DRAWING OR THE CONTENTS HEREIN, WITHOUT WRITTEN CONSENT OF J.R. CLANCY INC., IS PROHIBITED. J.R. CLANCY INC. IS NOT RESPONSIBLE FOR THE UNAUTHORIZED USE AND/OR ALTERATION OF THIS DRAWING OR THE CONTENTS HEREIN. THIS DRAWING IS SUBJECT TO REVISION AND REVISIONS BY THE PROJECT ARCHITECT AND/OR ENGINEER, AND IS SUBJECT TO J.R. CLANCY'S MANUFACTURING AND/OR INSTALLATION OF THE ITEMS REPRESENTED HEREIN. COPYRIGHT 2014 J.R. CLANCY INC.</small>	