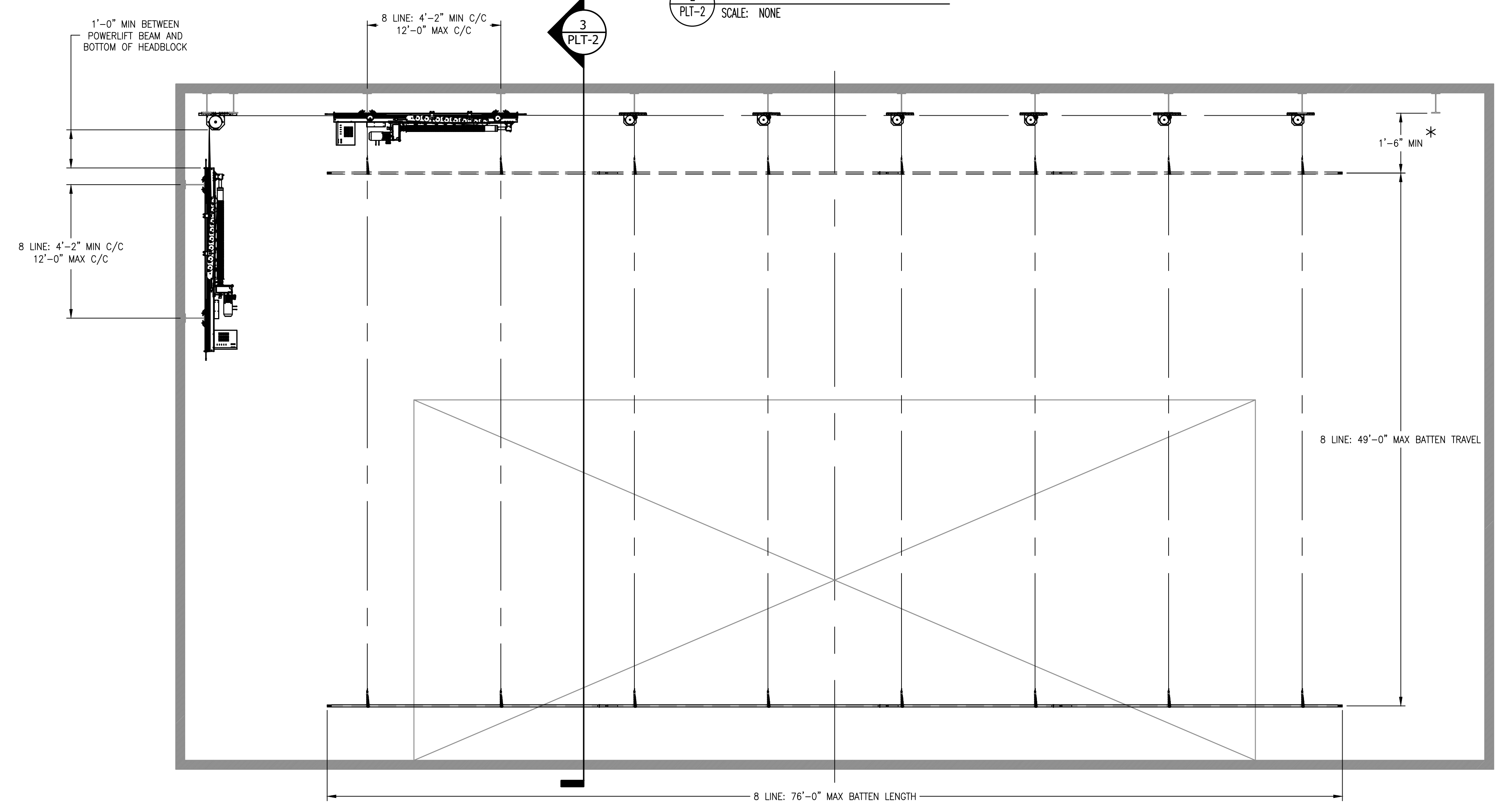
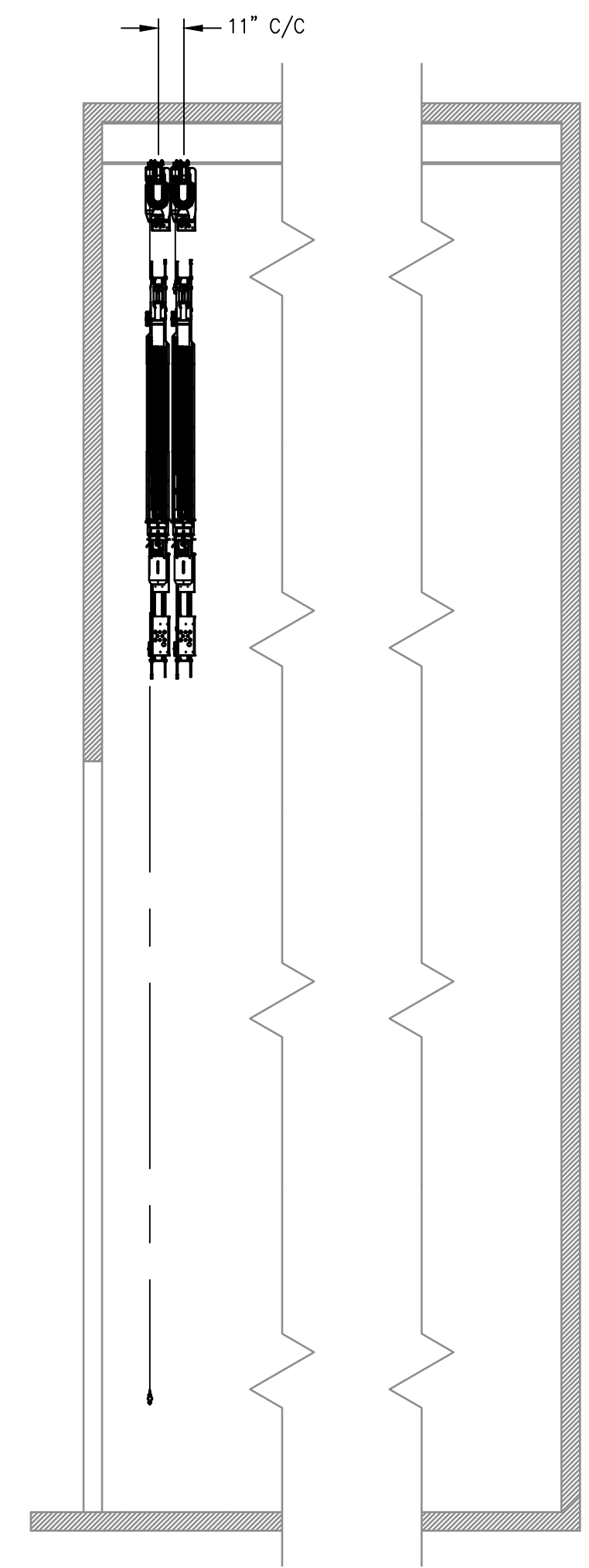


2 POWERLITE SYSTEM PLAN
PLT-2 SCALE: NONE

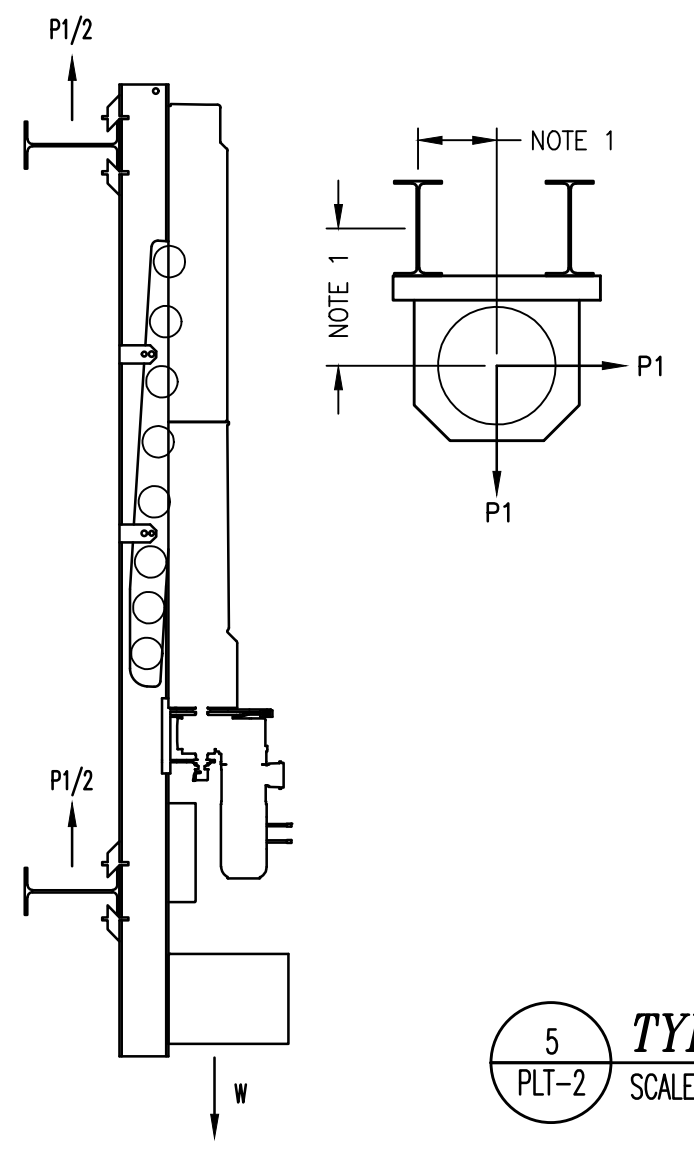
TABLE 1			
PART NUMBER	SPEED (FT/MIN [M/SEC])	SET CAPACITY (LBS [KG])	HOIST WEIGHT (LBS [KG])
018-L0220F	20 [0.1]	2000 [907]	620 [281]
018-L1212V	0-120 [0-0.6]	1200 [544]	650 [295]



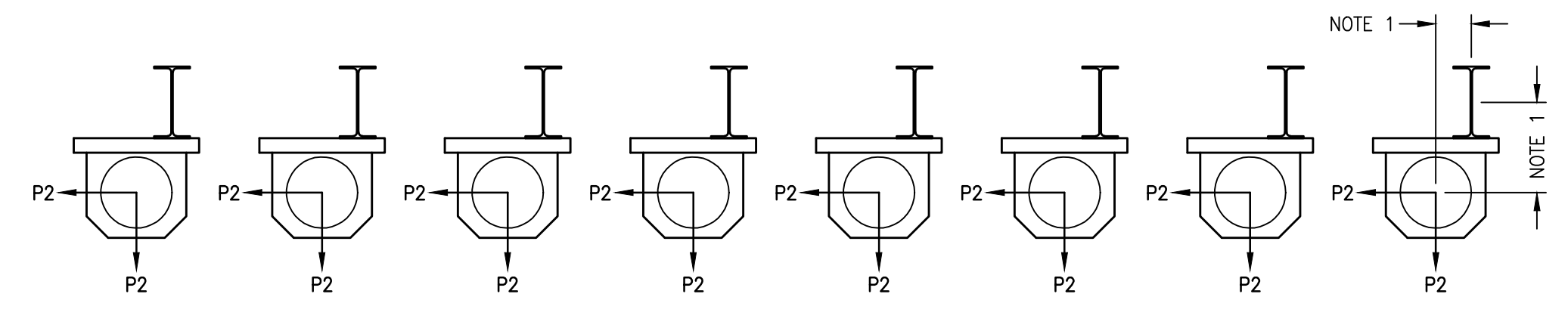
1 POWERLITE SYSTEM ELEVATION
PLT-2 SCALE: NONE



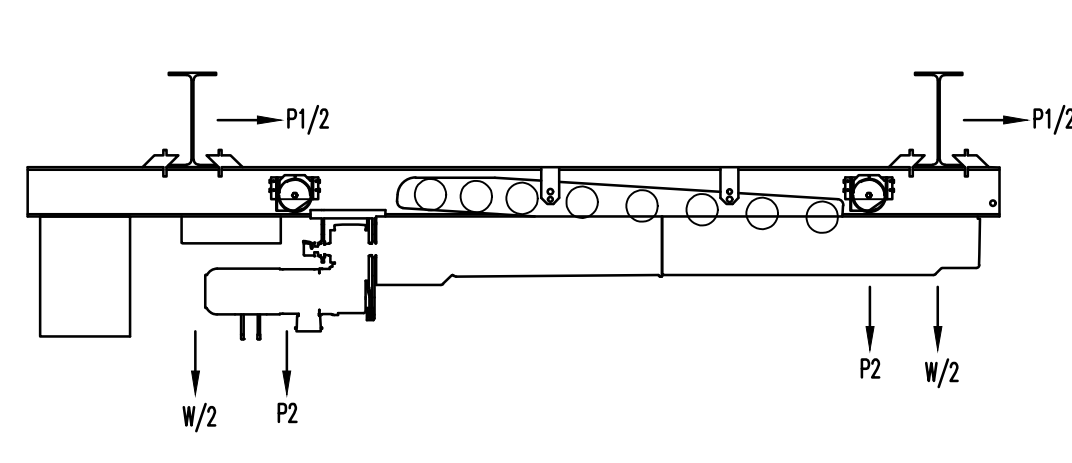
3 POWERLITE SYSTEM SECTION
PLT-2 SCALE: NONE



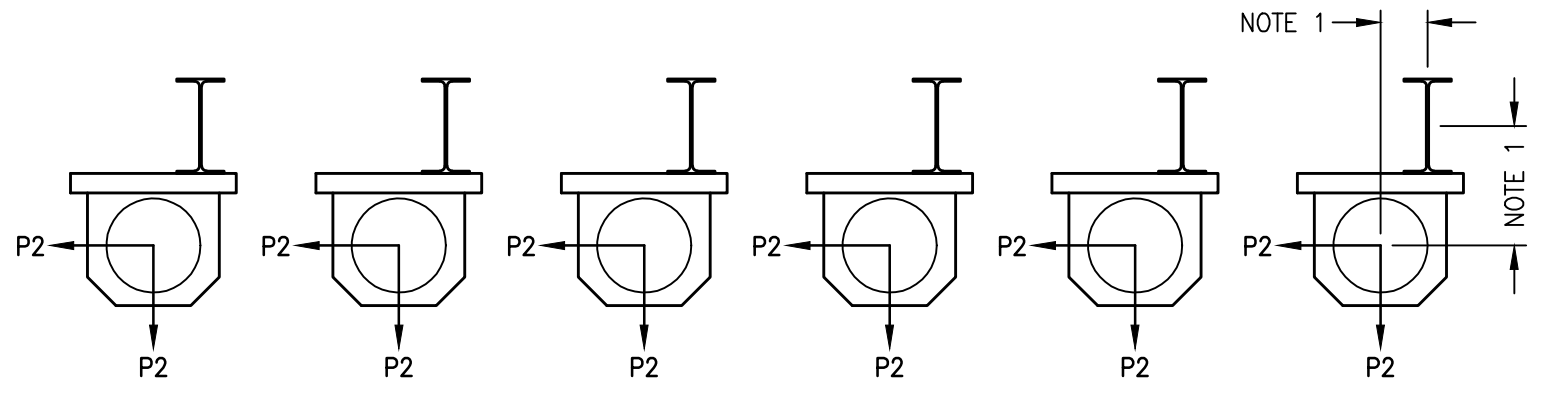
5 TYPICAL RIGGING LOADS
PLT-2 SCALE: NONE



- LOADING NOTES:**
 P1 (HEAD BLOCK LINE LOAD) = SET CAPACITY (TABLE 1)
 P2 (LOFT BLOCK LINE LOAD) = 0 TO 500 LB
 W (POWERLIFT WEIGHT) = SEE TABLE 1
- ALL BLOCK LOADS ACT AT THE BLOCK SHAFT. THE HORIZONTAL AND VERTICAL OFFSET BETWEEN THE BLOCK SHAFT AND SUPPORTING BEAM CENTROID MAY RESULT IN TORSIONAL LOADS ON BEAM.
 - SET CAPACITY = SEE TABLE 1
 - LIVE LOAD CAPACITY = SET CAPACITY - BATTEN WEIGHT
 - TOTAL LINE LOAD ON ALL LOFT BLOCKS NOT TO EXCEED SET CAPACITY.
 - LINE LOAD ON EACH LOFT BLOCK NOT TO EXCEED LOFT BLOCK CAPACITY (P2).
 - THE TOTAL HOIST CAPACITY MAY NOT BE EQUALLY SHARED BETWEEN BEAMS. THIS WILL BE DEPENDENT UPON A VARIETY OF FACTORS SUCH AS INSTALLATION METHODS, INDIVIDUAL BEAM FLEXIBILITY, ROOF BRACING, ETC.



4 TYPICAL RIGGING LOADS
PLT-2 SCALE: NONE



- LOADING NOTES:**
 P1 (HEAD BLOCK LINE LOAD) = SET CAPACITY (TABLE 1)
 P2 (LOFT BLOCK LINE LOAD) = 0 TO 500 LB
 W (POWERLIFT WEIGHT) = SEE TABLE 1
- ALL BLOCK LOADS ACT AT THE BLOCK SHAFT. THE HORIZONTAL AND VERTICAL OFFSET BETWEEN THE BLOCK SHAFT AND SUPPORTING BEAM CENTROID MAY RESULT IN TORSIONAL LOADS ON BEAM.
 - SET CAPACITY = SEE TABLE 1
 - LIVE LOAD CAPACITY = SET CAPACITY - BATTEN WEIGHT
 - TOTAL LINE LOAD ON ALL LOFT BLOCKS NOT TO EXCEED SET CAPACITY.
 - LINE LOAD ON EACH LOFT BLOCK NOT TO EXCEED LOFT BLOCK CAPACITY (P2).
 - THE TOTAL HOIST CAPACITY MAY NOT BE EQUALLY SHARED BETWEEN BEAMS. THIS WILL BE DEPENDENT UPON A VARIETY OF FACTORS SUCH AS INSTALLATION METHODS, INDIVIDUAL BEAM FLEXIBILITY, ROOF BRACING, ETC.

* MOUNTING HOIST ABOVE BATTEN MAY INCREASE MINIMUM DISTANCE

JRCLANCY
 (315)451-3440 7041 Interstate Island Rd., Syracuse, N.Y. 13209

POWERLITE SYSTEM ELEVATION

TITLE: AS NOTED FILE NAME: PLT-2.dxf

SCALE: DWS SHEET NO. PLT-2

DATE: 14MAY21

THIS DRAWING IS THE PROPERTY OF J.R. CLANCY INC. ANY USE AND/OR REPRODUCTION OF THIS DRAWING OR THE DESIGNS CONTAINED HEREIN, WITHOUT WRITTEN CONSENT OF J.R. CLANCY INC., IS PROHIBITED. J.R. CLANCY INC. IS NOT RESPONSIBLE FOR THE UNAUTHORIZED USE AND/OR ALTERATION OF THIS DRAWING OR THE DESIGNS CONTAINED HEREIN. COPYRIGHT 2021 J.R. CLANCY INC.