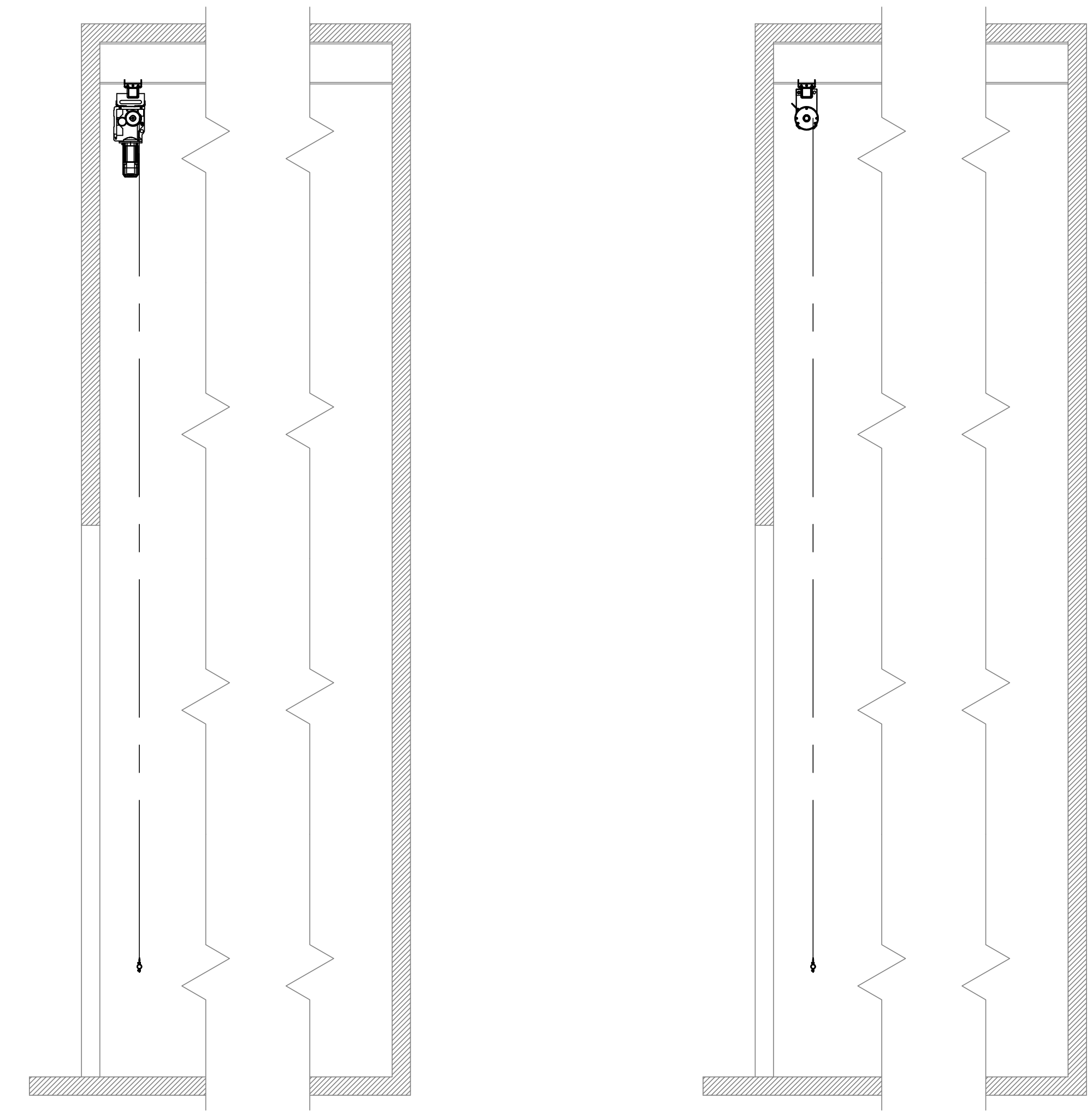
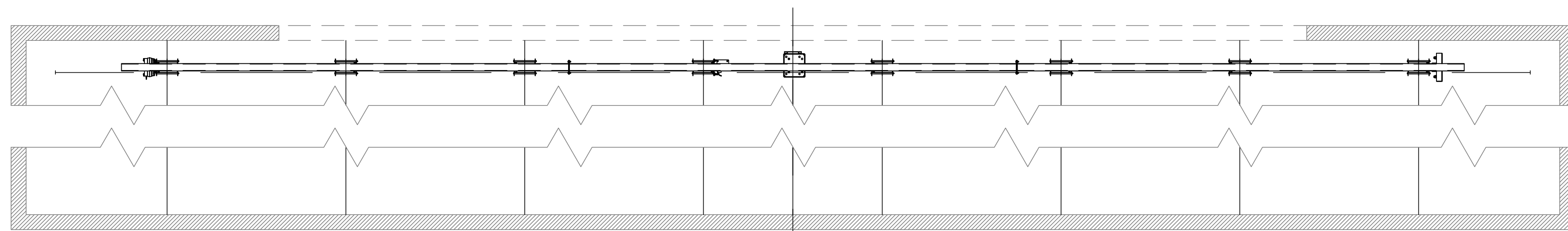


1 POWERLINE HOIST ELEVATION  
PLN-1 SCALE: NONE



3 POWERLINE HOIST MOTOR SECTION  
PLN-1 SCALE: NONE

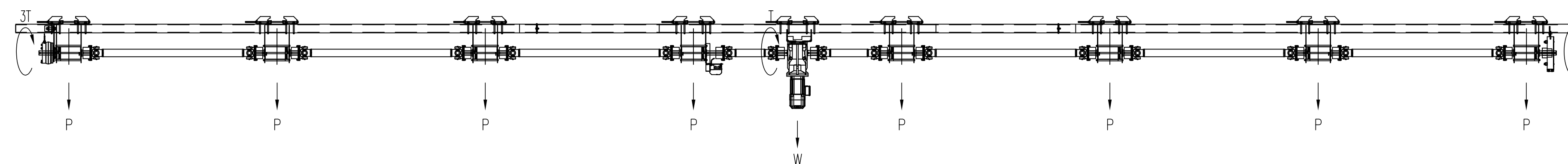
4 POWERLINE HOIST BRAKE SECTION  
PLN-1 SCALE: NONE



2 POWERLINE HOIST PLAN  
PLN-1 SCALE: NONE

TABLE 1					
PART NUMBER	SPEED (FT/MIN [M/SEC])	SET CAPACITY (LBS [KG])	HOIST WEIGHT (LBS [KG])	HOIST TORQUE (LB-IN [N-M])	STALLING TORQUE (LB-IN [N-M])
018-PL0210	20 [0.1]	1000 [454]	1990 [903]	1408 [159]	13776 [1556]
018-PL0213	20 [0.1]	1250 [567]	2000 [907]	1760 [199]	17440 [1970]
018-PL0216	20 [0.1]	1600 [726]	2150 [975]	2252 [254]	20000 [2260]
018-PL0222	20 [0.1]	2150 [975]	2180 [989]	3027 [342]	27160 [3069]
018-PL0225	20 [0.1]	2500 [1184]	2460 [1116]	3519 [398]	41874 [4731]
018-PL1113	0-110 [0-0.56]	1300 [590]	2150 [975]	1830 [207]	17996 [2033]
018-PL1420	0-140 [0-0.71]	1950 [885]	2280 [1034]	2745 [310]	22533 [2546]
018-PL2423	0-240 [0-1.2]	2300 [1043]	2600 [1179]	3238 [366]	27930 [3156]

THE VALUES IN THE TABLE ARE FOR THE CONFIGURATION SHOWN. FOR OTHER CONFIGURATIONS THE VALUES MAY BE DIFFERENT. PLEASE CONTACT A JR CLANCY REPRESENTATIVE FOR MORE INFORMATION ON YOUR CONFIGURATION.



5 POWERLINE RIGGING LOADS  
PLN-1 SCALE: NONE

LOADING NOTES:  
 P (DRUM LINE LOAD) = 0 TO 500 LB  
 T (HOIST TORQUE) = SEE TABLE 1  
 STALLING TORQUE = SEE TABLE 1  
 W (HOIST WEIGHT) = SEE TABLE 1  
 1. SET CAPACITY = SEE TABLE 1  
 2. TOTAL LINE LOAD ON ALL DRUMS NOT TO EXCEED SET CAPACITY.  
 3. LINE LOAD ON EACH DRUM NOT TO EXCEED DRUM CAPACITY (P).

ADDITIONAL CONFIGURATIONS:

1. MOTOR ONE END AND BRAKE ON OTHER END
2. TWO MOTORS, ONE ON EACH END OF THE HOIST
3. HOIST UPRIGHT

OPTIONS:

1. SUREBRAKE™ ELECTRIC BRAKE OR OVERSPEED SECONDARY BRAKE
2. CROSS GROOVE AND SLACK LINE DETECTORS
3. LOAD CELLS
4. POSITION ENCODER
5. ADDITIONAL LIMIT SWITCHES

**JRCLANCY**  
 (315)451-3440 7041 Interstate Island Rd., Syracuse, N.Y. 13209

**POWERLINE HOIST**  
**3/16" CABLE**

TITLE: NONE  
 FILE NAME: PLN-1.dwg

SCALE: NONE  
 FILE NAME: PLN-1

DRAWN: SC  
 SHEET NO.: PLN-1

DATE: 22AUG17  
 SHEET NO.: PLN-1

THIS DRAWING IS THE PROPERTY OF J.R. CLANCY INC. ANY USE AND/OR REPRODUCTION OF THIS DRAWING OR THE DESIGNS CONTAINED HEREIN, WITHOUT WRITTEN CONSENT OF J.R. CLANCY INC., IS PROHIBITED. J.R. CLANCY INC. IS NOT RESPONSIBLE FOR THE UNAUTHORIZED USE AND/OR ALTERATION OF THIS DRAWING OR THE DESIGNS CONTAINED HEREIN. COPYRIGHT 2017 J.R. CLANCY INC.