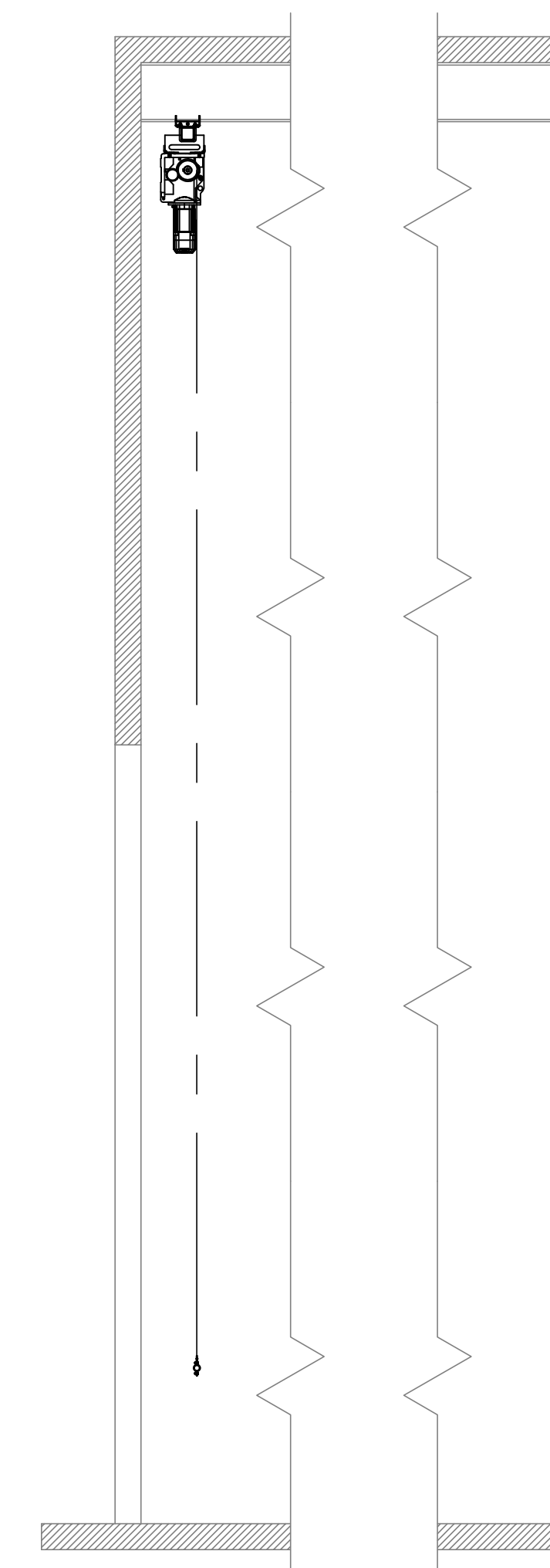
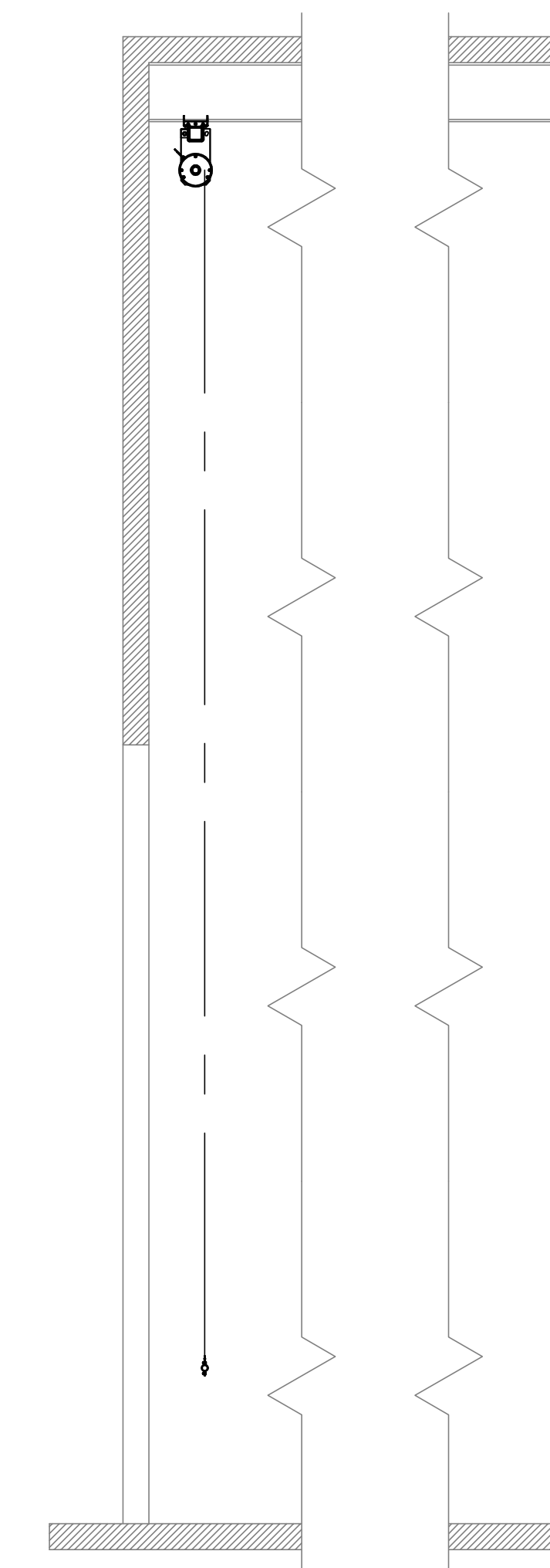


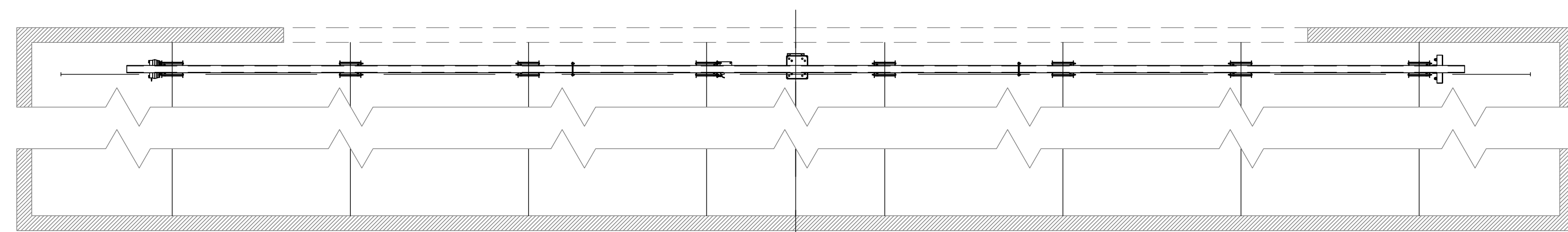
1 **POWERLINE HOIST ELEVATION**  
 PLN-2 SCALE: NONE



3 **POWERLINE HOIST MOTOR SECTION**  
 PLN-2 SCALE: NONE



4 **POWERLINE HOIST BRAKE SECTION**  
 PLN-2 SCALE: NONE



2 **POWERLINE HOIST PLAN**  
 PLN-2 SCALE: NONE

TABLE 1					
PART NUMBER	SPEED (FT/MIN [M/SEC])	SET CAPACITY (LBS [KG])	HOIST WEIGHT (LBS [KG])	HOIST TORQUE (LB-IN [N-M])	STALLING TORQUE (LB-IN [N-M])
018-PL0210	20 [0.1]	1000 [454]	2200 [998]	1888 [213]	17934 [2026]
018-PL0213	20 [0.1]	1250 [567]	2250 [1021]	2359 [267]	24400 [2757]
018-PL0216	20 [0.1]	1600 [726]	2280 [1034]	3020 [341]	28160 [3182]
018-PL0222	20 [0.1]	2150 [975]	2530 [1148]	4058 [458]	38280 [4325]
018-PL0225	20 [0.1]	2500 [1184]	2640 [1197]	4719 [533]	50000 [5649]
018-PL1113	0-110 [0-0.56]	1300 [590]	2320 [1052]	2454 [277]	24860 [2809]
018-PL1420	0-140 [0-0.71]	1950 [885]	2420 [1098]	3681 [416]	33411 [3775]
018-PL2423	0-240 [0-1.2]	2300 [1043]	2810 [1275]	4341 [490]	39786 [4495]

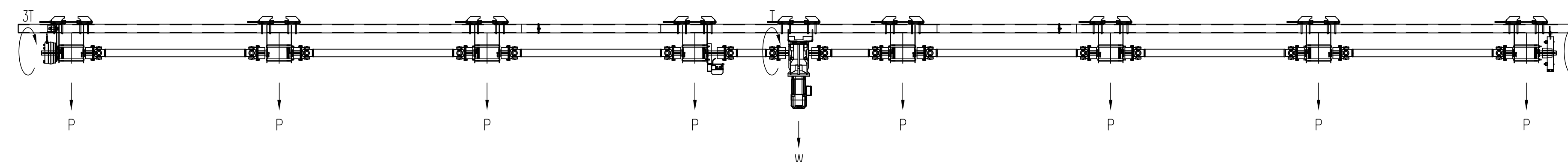
THE VALUES IN THE TABLE ARE FOR THE CONFIGURATION SHOWN. FOR OTHER CONFIGURATIONS THE VALUES MAY BE DIFFERENT. PLEASE CONTACT A JR CLANCY REPRESENTATIVE FOR MORE INFORMATION ON YOUR CONFIGURATION.

ADDITIONAL CONFIGURATIONS:

1. MOTOR ONE END AND BRAKE ON OTHER END
2. TWO MOTORS, ONE ON EACH END OF THE HOIST
3. HOIST UPRIGHT

OPTIONS:

1. SUREBRAKE™ ELECTRIC BRAKE OR OVERSPEED SECONDARY BRAKE
2. CROSS GROOVE AND SLACK LINE DETECTORS
3. LOAD CELLS
4. POSITION ENCODER
5. ADDITIONAL LIMIT SWITCHES



5 **POWERLINE RIGGING LOADS**  
 PLN-2 SCALE: NONE

LOADING NOTES:

- P (DRUM LINE LOAD) = 0 TO 750 LB
  - T (HOIST TORQUE) = SEE TABLE 1
  - STALLING TORQUE = SEE TABLE 1
  - W (HOIST WEIGHT) = SEE TABLE 1
1. SET CAPACITY = SEE TABLE 1
  2. TOTAL LINE LOAD ON ALL DRUMS NOT TO EXCEED SET CAPACITY.
  3. LINE LOAD ON EACH DRUM NOT TO EXCEED DRUM CAPACITY (P).

**JRCLANCY**  
 (315)451-3440 7041 Interstate Island Rd., Syracuse, N.Y. 13209

**POWERLINE HOIST**  
 1/4" CABLE

TITLE: NONE FILE NAME: PLN-2.dwg

SCALE: SC SHEET NO. PLN-2

DATE: 22AUG17

THIS DRAWING IS THE PROPERTY OF J.R. CLANCY INC. ANY USE AND/OR REPRODUCTION OF THIS DRAWING OR THE DESIGNS CONTAINED HEREIN, WITHOUT WRITTEN CONSENT OF J.R. CLANCY INC., IS PROHIBITED. J.R. CLANCY INC. IS NOT RESPONSIBLE FOR THE UNAUTHORIZED USE AND/OR ALTERATION OF THIS DRAWING OR THE DESIGNS CONTAINED HEREIN. COPYRIGHT 2017 J.R. CLANCY INC.