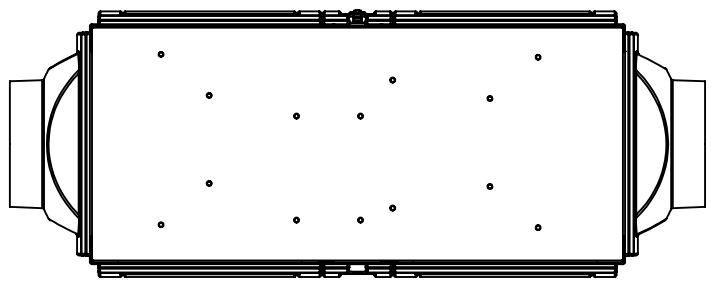
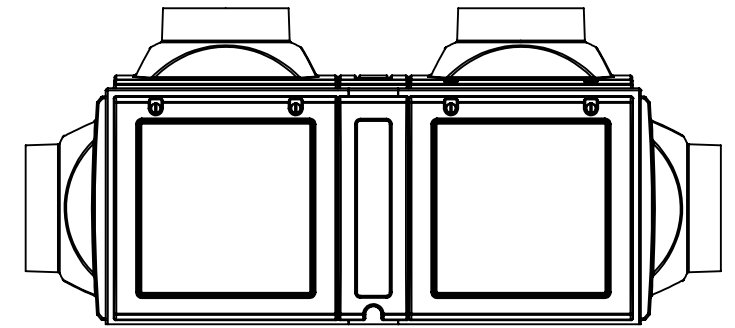
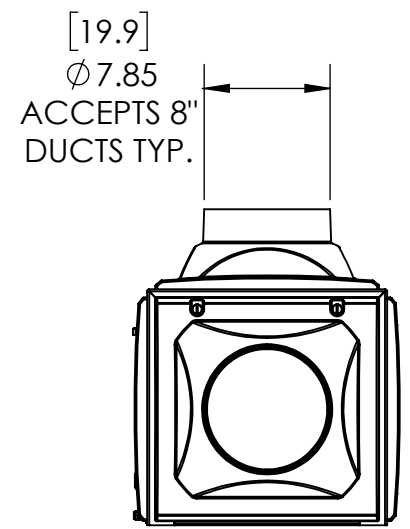
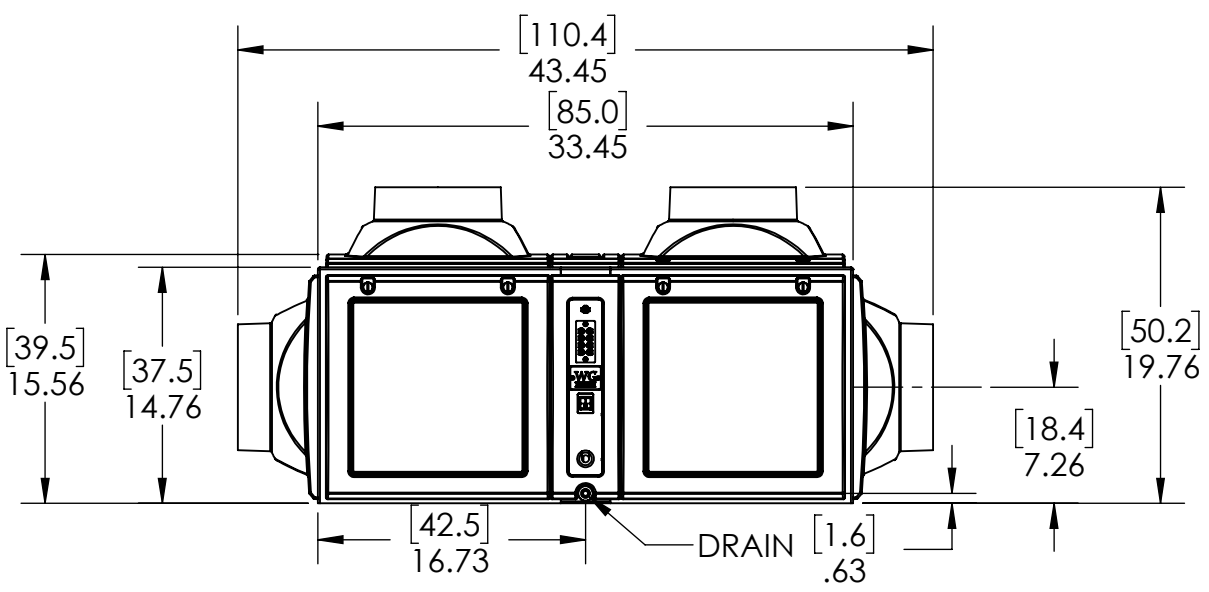
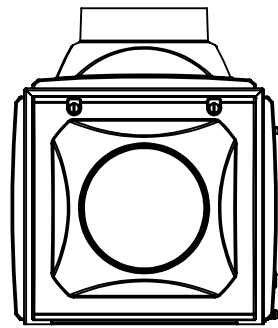
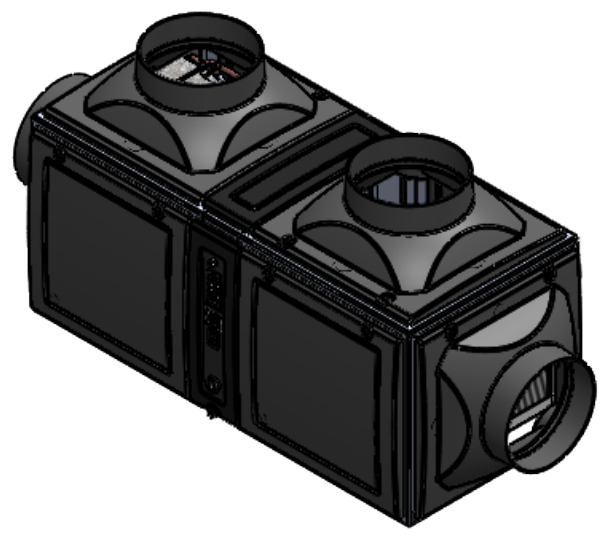
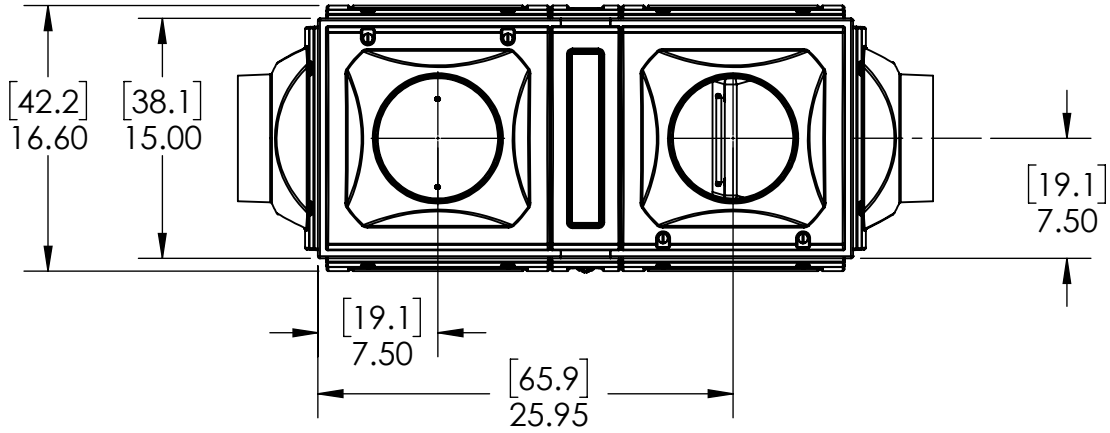


8 7 6 5 4 3 2 1

D
C
B
A

D
C
B
A



DIMENSIONS SHOWN WITH [] ARE CM

UNLESS OTHERWISE SPECIFIED:	DRAWN	NAME	DATE
DIMENSIONS ARE IN INCHES	NAR	NAR	03/08/23
TOLERANCES:	CHECKED		
FRACTIONAL ± 1/16	ENG APPR.		
ANGULAR: MACH ± 2 BEND ± 2	MFG APPR.		
TWO PLACE DECIMAL ± .03			
THREE PLACE DECIMAL ± .015			
INTERPRET GEOMETRIC TOLERANCING PER:	MATERIAL		
COMMENTS:	MODEL:		
-			
DO NOT SCALE DRAWING			



TITLE:			
DP025			
SIZE	DWG. NO.	MODEL	REV
B	CHASSIS A AIR COOLED PRO		~
			SHEET 1 OF 1

8 7 6 5 4 3 2 1