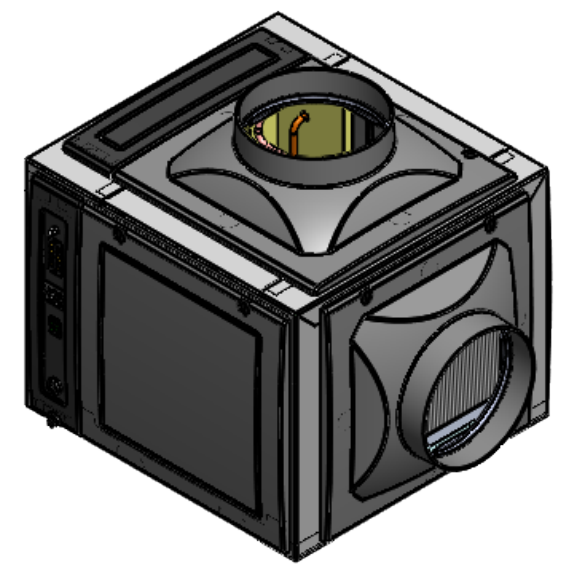
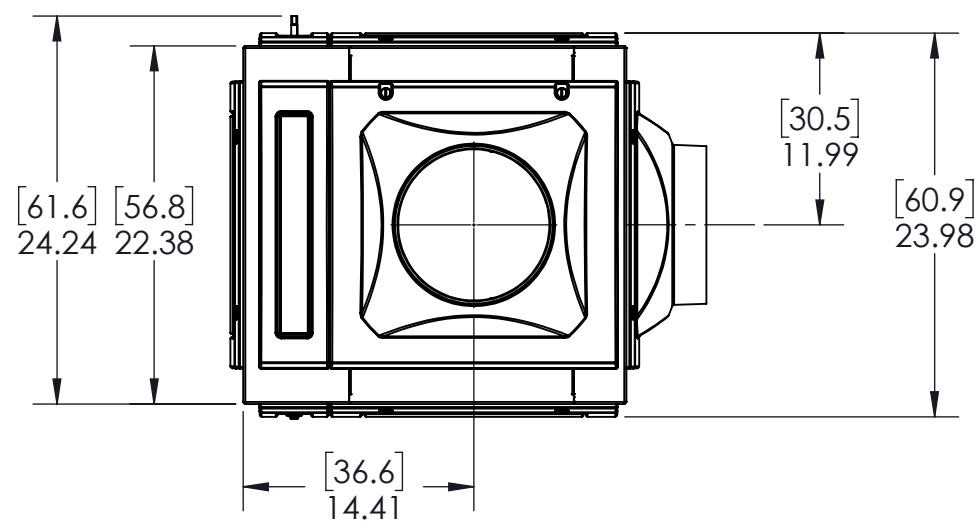


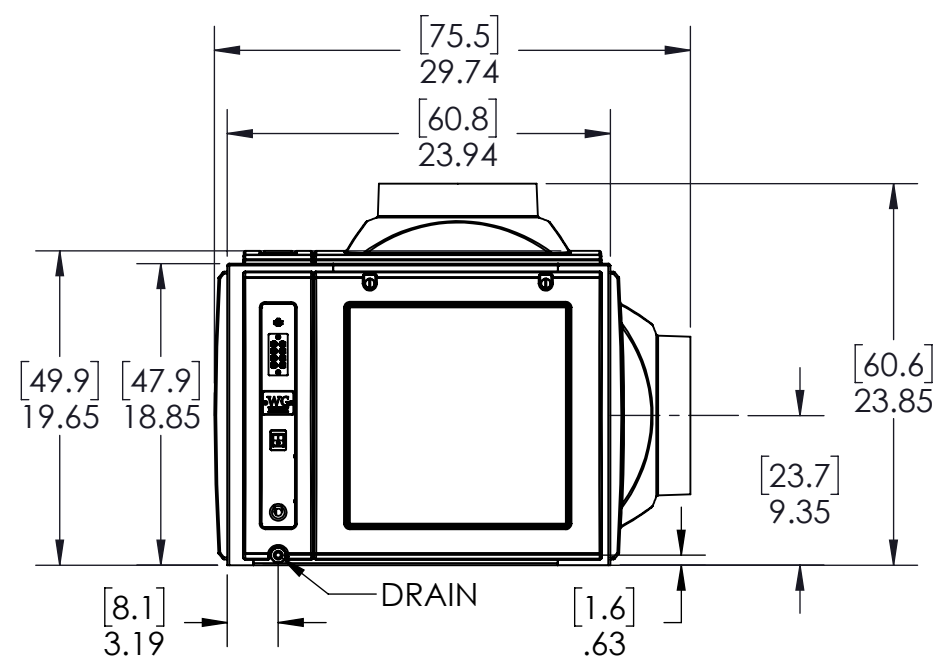
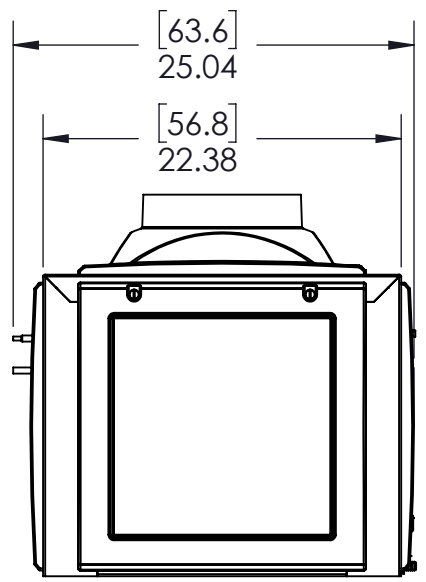
8 7 6 5 4 3 2 1

D

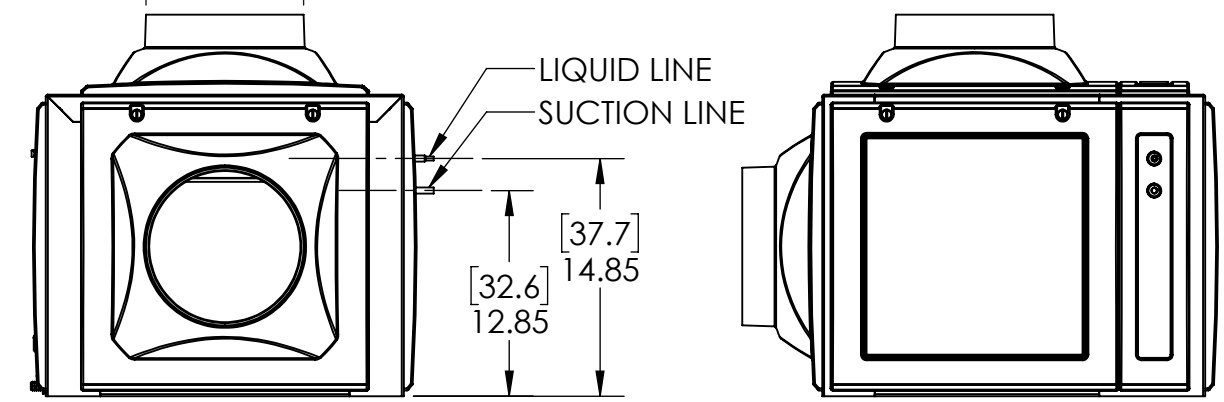


D

C



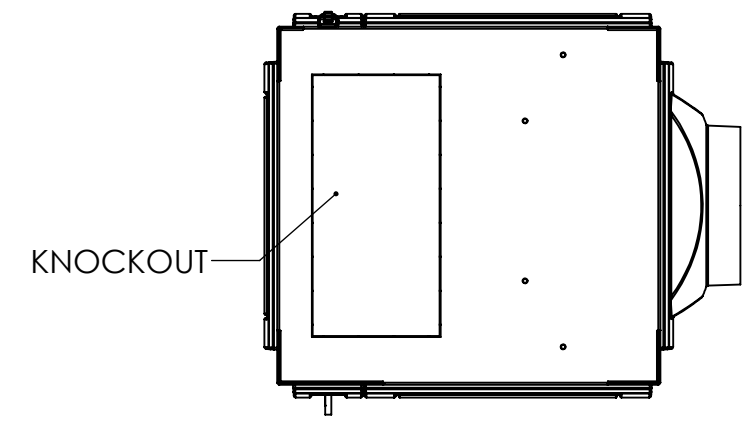
[25.0] \varnothing 9.85 ACCEPTS 10" DUCTS TYP.



B

B

A



A

DIMENSIONS SHOWN WITH [] ARE CM

UNLESS OTHERWISE SPECIFIED:	DRAWN	NAME	DATE
DIMENSIONS ARE IN INCHES	NAR	NAR	10/21/22
TOLERANCES:	CHECKED		
FRACTIONAL \pm 1/16	ENG APPR.		
ANGULAR: MACH \pm 2 BEND \pm 2	MFG APPR.		
TWO PLACE DECIMAL \pm .03			
THREE PLACE DECIMAL \pm .015			
INTERPRET GEOMETRIC TOLERANCING PER:	MATERIAL		
COMMENTS:	MODEL:		
-			
DO NOT SCALE DRAWING			

AIR INNOVATIONS®
7000 PERFORMANCE DRIVE, SYRACUSE, NY 13212, Tel. 315-452-7400

TITLE: SP50, SP88, SP200

SIZE	DWG. NO.	CHASSIS B EVAP SPLIT PRO	REV
B			~

SHEET 1 OF 1

8 7 6 5 4 3 2 1