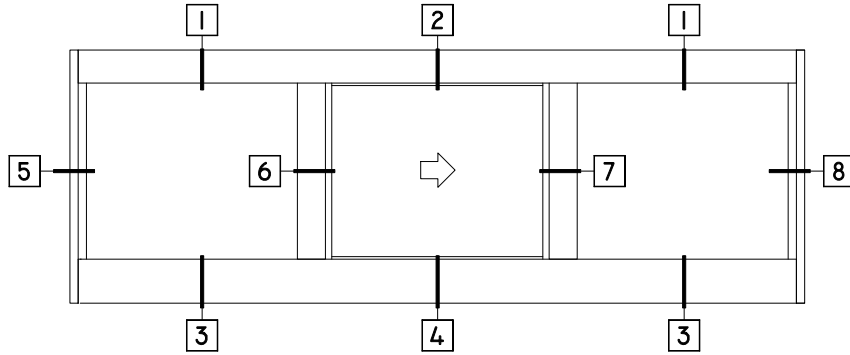


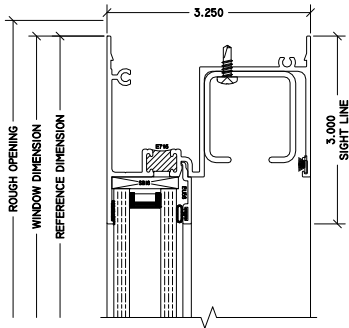


WINTECH
An Employee Owned Company

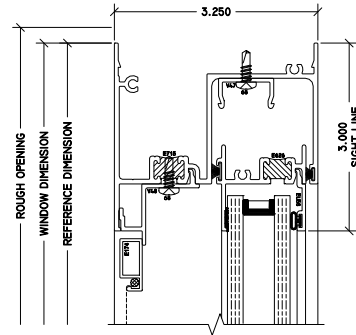
310 OXO SLIDER - 10 LB SILL



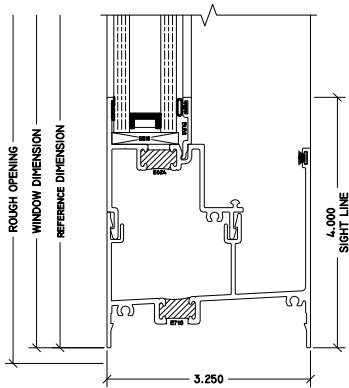
1 FX HEAD
310 HS



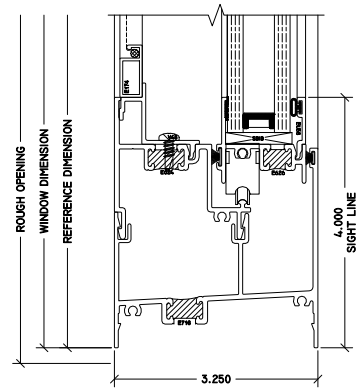
2 OP HEAD
310 HS



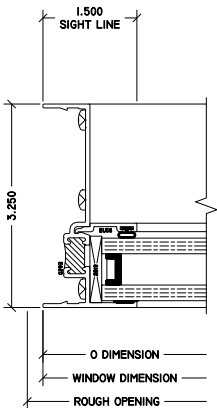
3 FX SILL
310 HS



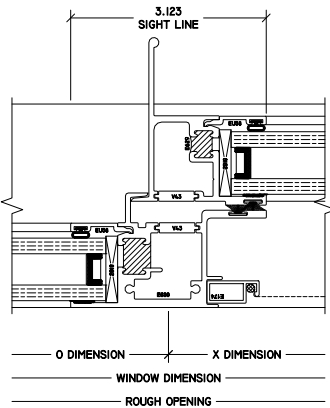
4 OP SILL
310 HS



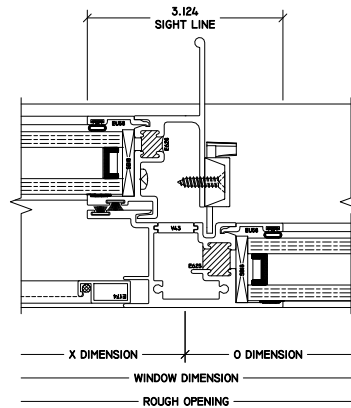
5 FX JAMB
310 HS



6 OXO MTG RAIL
310 HS



7 XO MTG RAIL
310 HS



8 FX JAMB
310 HS

