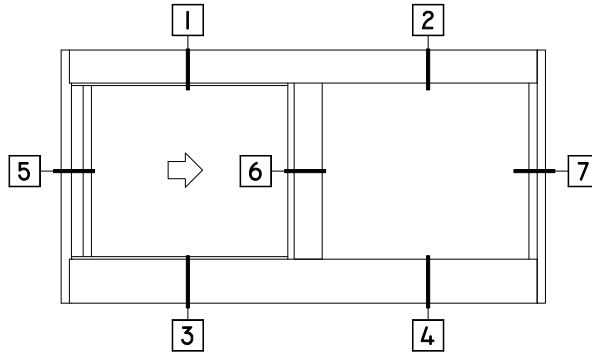


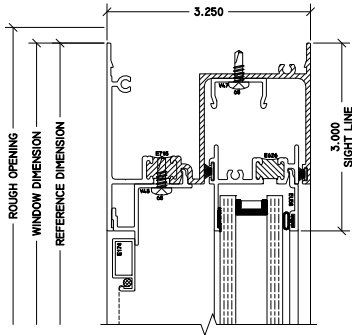


WINTECH
An Employee Owned Company

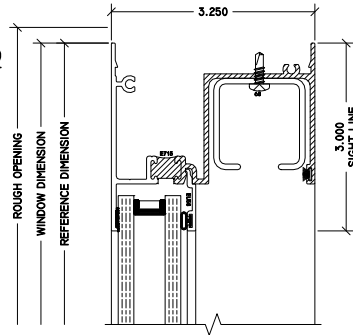
310 XO SLIDER - 10 LB SILL



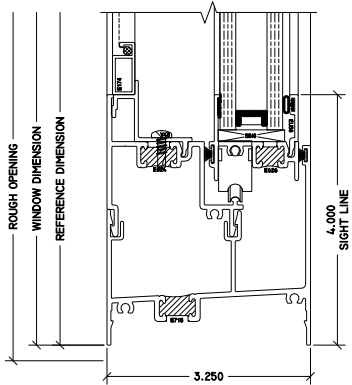
1 OP HEAD
310 HS



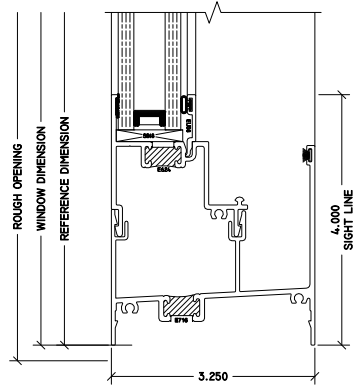
2 FX HEAD
310 HS



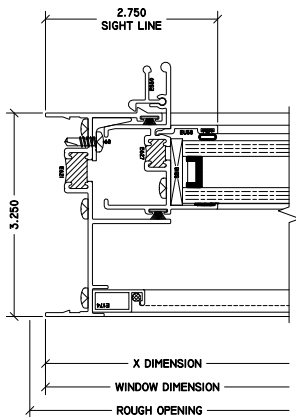
3 OP SILL
310 HS



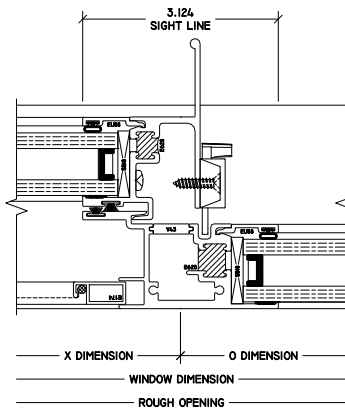
4 FX SILL
310 HS



5 OP JAMB
310 HS



6 XO MTG RAIL
310 HS



7 FX JAMB
310 HS

