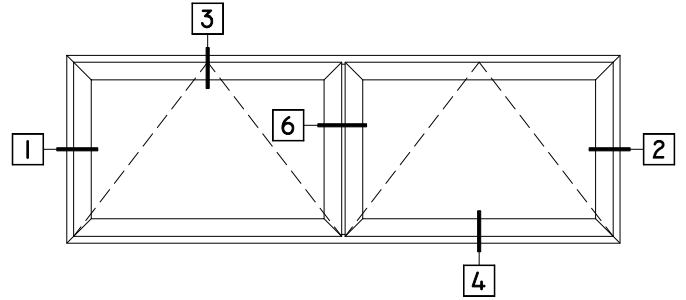
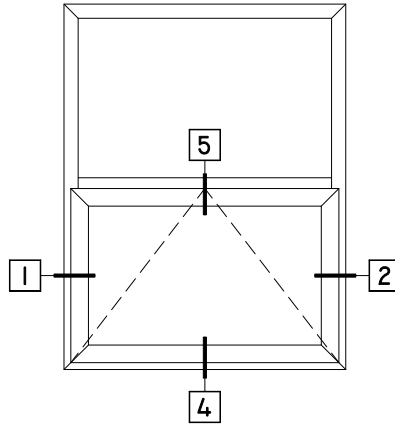
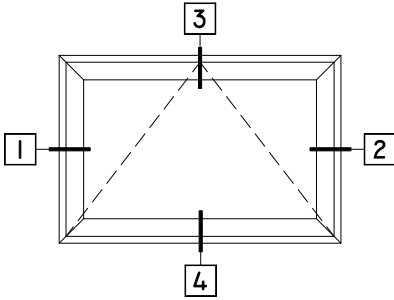


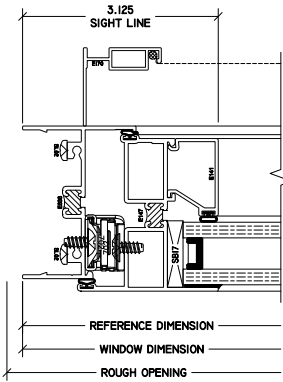


WINTECH
An Employee Owned Company

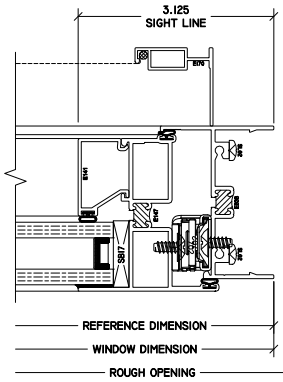
S220 PROJECT OUT



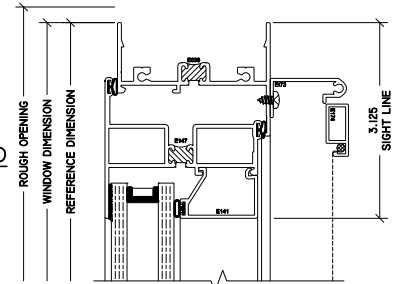
1 PO JAMB
S220 PO



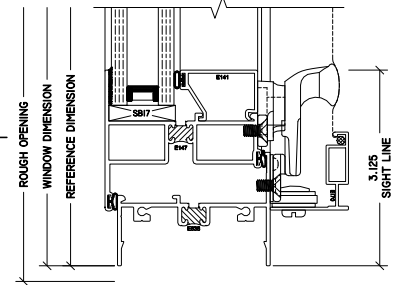
2 PO JAMB
S220 PO



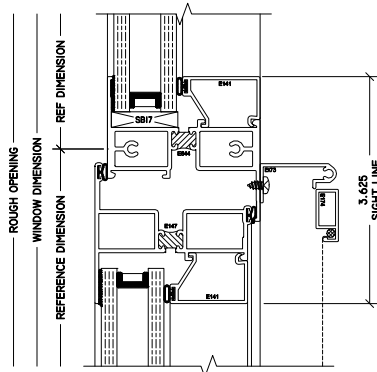
3 PO HEAD
S220 PO



4 PO SILL
S220 PO



5 FX/PO MTG RAIL
S220 PO



6 PO-PO MTG RAIL
S220 PO

