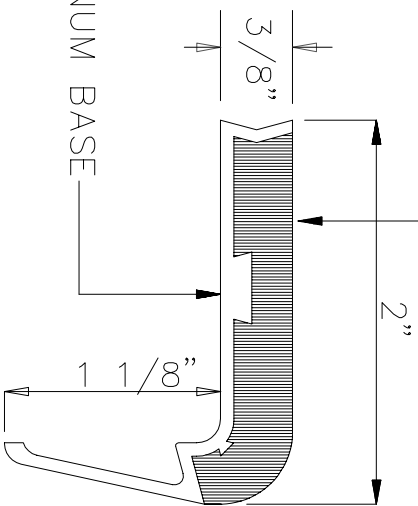


RESILIENT EPOXY ABRASIVE FILLER



EXTRUDED ALUMINUM BASE

TYPE WP2
SPECTRA