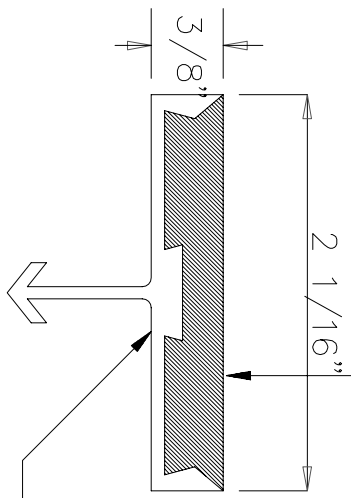


ABRASIVE FILLER

TYPE WP24A  
SPECTRA



SURE-HOLD ANCHORS ARE EXTRUDED  
INTEGRALLY FULL LENGTH OF SECTION

EXTRUDED ALUMINUM BASE