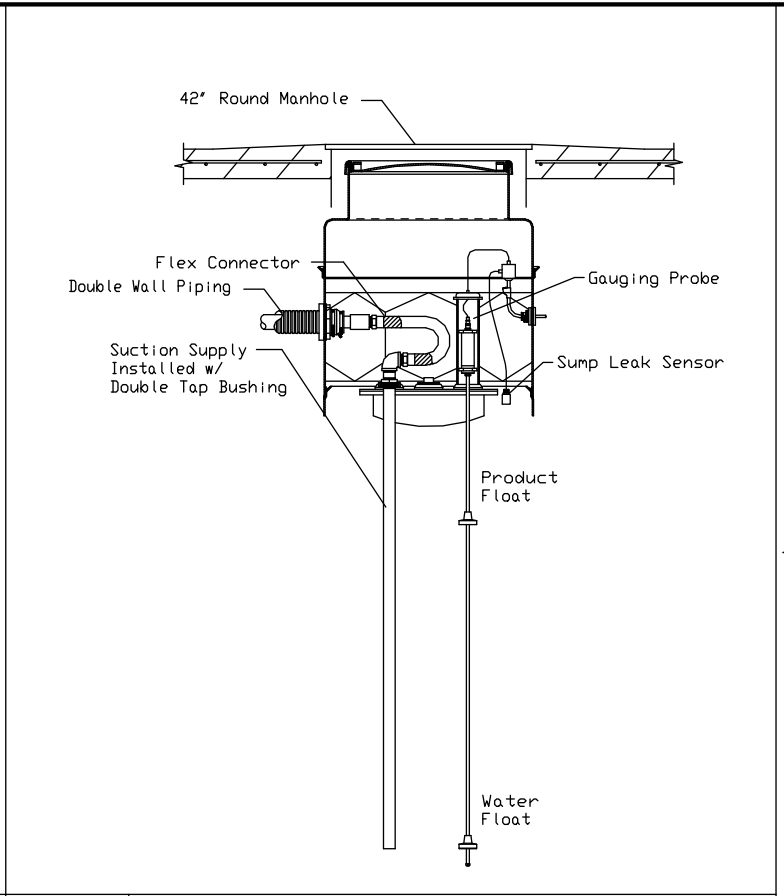
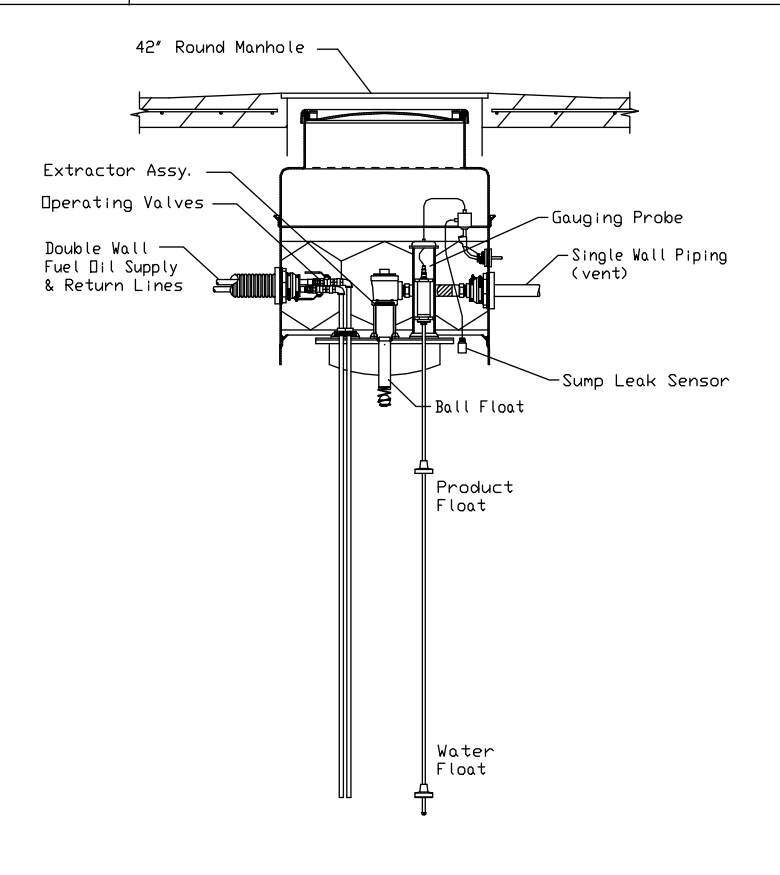


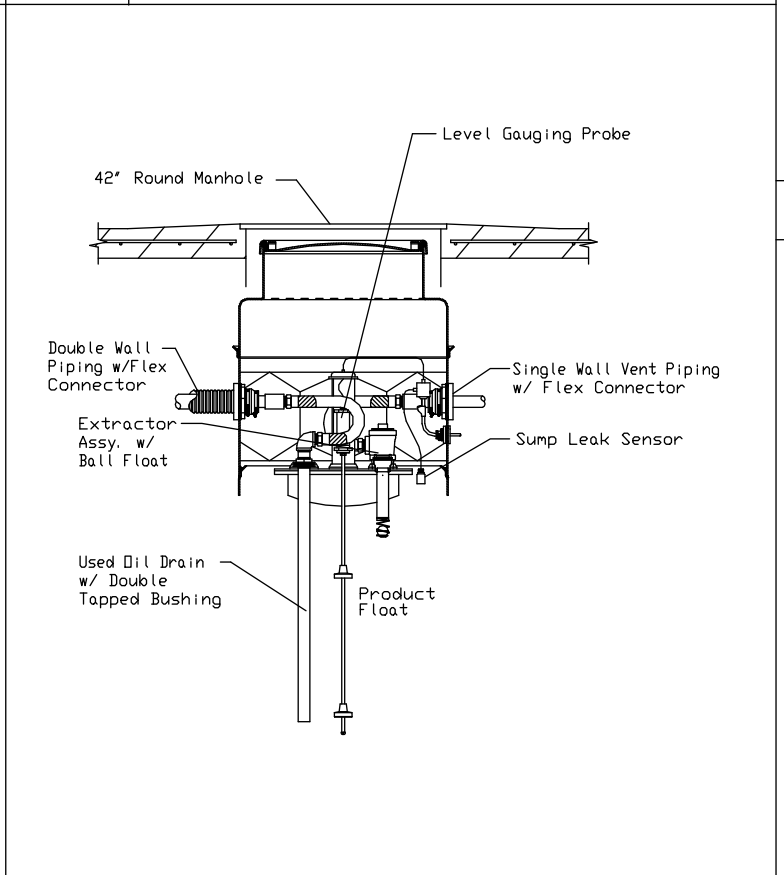
A Pressure



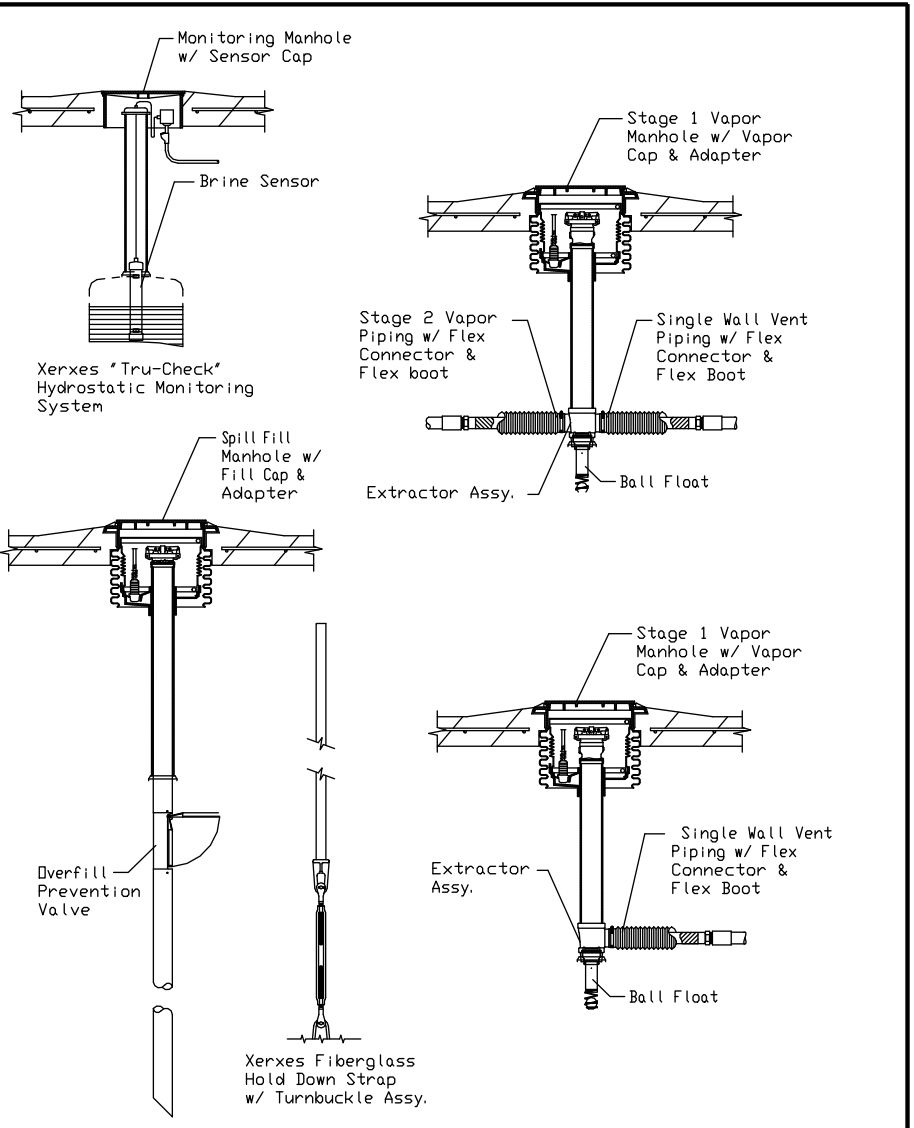
B Suction



C Suction (Emergency Gen.)



D Waste Oil



E Miscellaneous

PETROLEUM

This drawing is for illustrative purposes only. Consult with an engineer for specific applications.

XERXES[®]

a ZCL company

TITLE
ACCESSORY DETAILS

DATE 3-14

DR. NO. S20-501-01