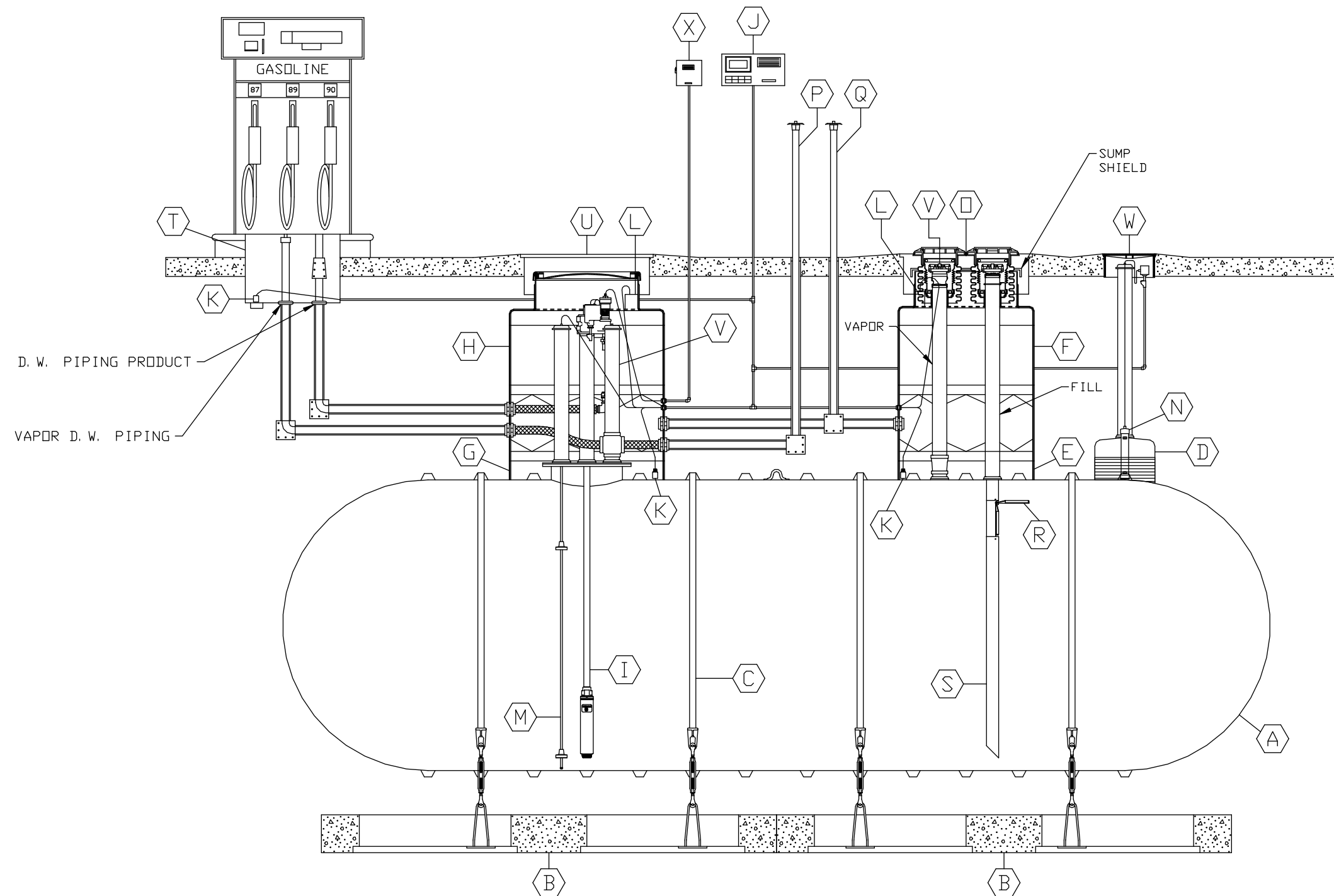


ITEM	QTY	EQUIPMENT LISTING	ITEM	QTY	EQUIPMENT LISTING	ITEM	QTY	EQUIPMENT LISTING
A	1	DOUBLE WALL FIBERGLASS STORAGE TANK	I	1*	SUBMERIBLE PUMP WITH LEAK DETECTION	S	1*	4" DROP TUBE
B	-	XERXES PRECAST CONCRETE DEADMEN SYSTEM	J	1*	CONTINUOUS INVENTORY & LEAK DETECTION PANEL	T	1*	DOUBLE WALL DISPENSOR SUMP
C	-	FIBERGLASS HOLD DOWN STRAP WITH TURNBUCKLE ASSY.	K	3*	DISTINGUISHING LEAK SENSOR	U	1*	42" ROUND MANHOLE
D	1	HYDROSTATIC MONITORING SYSTEM	L	2*	HYDROSTATIC SUMP RESERVOIR SENSOR	V	2*	4" EXTRACTOR HOUSING WITH CAP
E	1	42" DIA FIBERGLASS DW CONTAINMENT COLLAR	M	1*	TANK INVENTORY GAUGE	W	1*	18" ROUND MANHOLE
F	1	42" DIA FIBERGLASS 8 SIDED DW, BRINE MONITORED CONTAINMENT SUMP WITH 32" DIA OPEN TOP	N	1*	HYDROSTATIC TANK RESERVOIR SENSOR	X	1*	PUMP CONTROL PANEL
G	1	48" DIA FIBERGLASS DW CONTAINMENT COLLAR	O	1*	36" MULTI-PORT SPILL CONTAINMENT MANHOLE			
H	1	48" DIA FIBERGLASS 8 SIDED DW, BRINE MONITORED CONTAINMENT SUMP WITH 32" DIA WATERTIGHT TOP	P	1*	DW TANK VENT TO GRADE WITH PRESSURE RELIEF VALVE			
			Q	2*	DW SUMP VENTS TO GRADE WITH UPWARD "V" CAP			
			R	1*	OVERFILL PREVENTION VALVE			

NOTE: \* SUPPLIED BY OTHERS



*PETROLEUM*

This drawing is for illustrative purposes only.  
Consult with an engineer for specific applications.

**XERXES**<sup>®</sup>  
a **ZCL** company

TITLE  
DOUBLE-WALL TYPICAL CALIFORNIA

DATE 3-14 DR. NO. S20-511-01