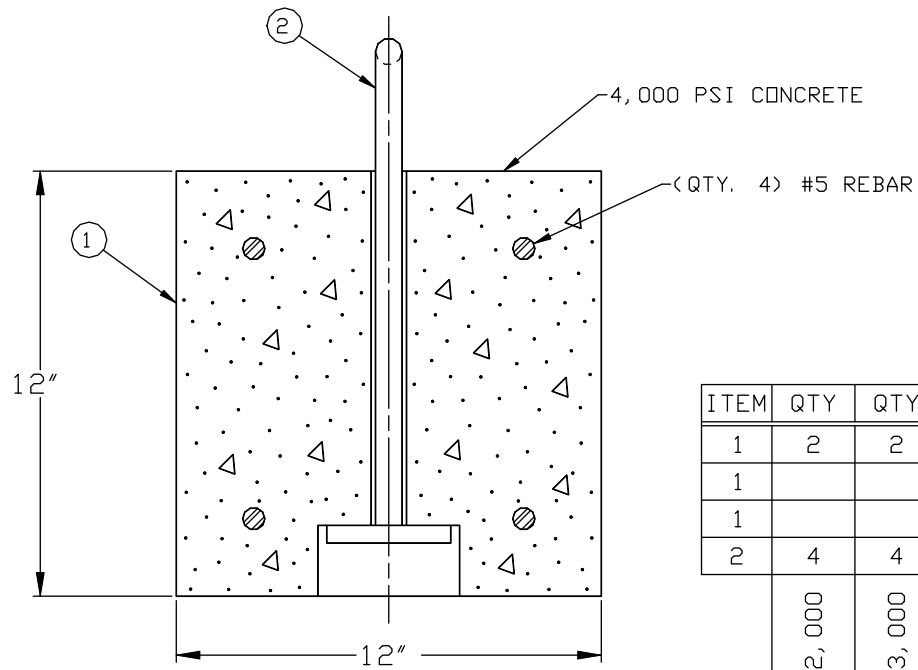
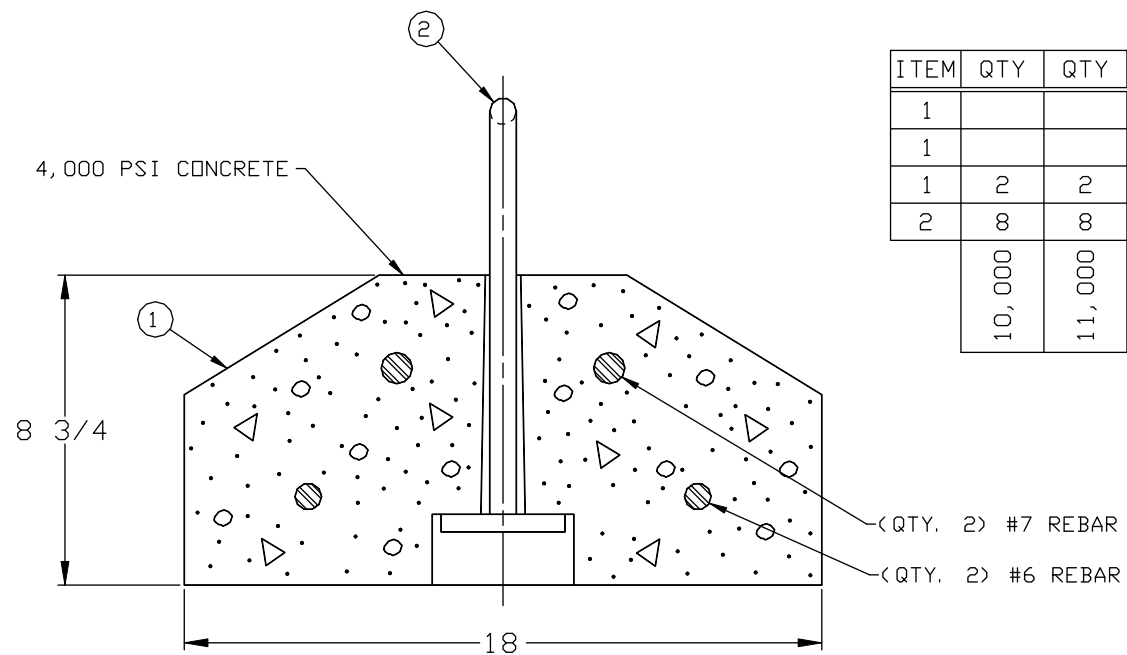


ITEM	QTY	QTY	QTY	QTY	UNIT	DESCRIPTION
1	2	2			EA	DEADMAN, 12" x 12" x 12'
1			2		EA	DEADMAN, 12" x 12" x 16'
1				2	EA	DEADMAN, 12" x 12" x 18'
2	4	4	4	4	EA	GALVANIZED ANCHOR POINT
	600	1,000	1,500	2,000		4' TANKS



ITEM	QTY	QTY	QTY	QTY	QTY	QTY	QTY	UNIT	DESCRIPTION
1	2	2			4			EA	DEADMAN, 12" x 12" x 12'
1			2			4		EA	DEADMAN, 12" x 12" x 16'
1				2			4	EA	DEADMAN, 12" x 12" x 18'
2	4	4	4	4	8	8	8	EA	GALVANIZED ANCHOR POINT
	1,500	2,000	3,000	4,000	5,000	6,000	8,000		6' TANKS

ITEM	QTY	QTY	QTY	QTY	QTY	QTY	QTY	QTY	QTY	QTY	QTY	QTY	QTY	QTY	UNIT	DESCRIPTION
1	2	2	2			4	4	2				4	2		EA	DEADMAN, 12" x 12" x 12'
1				2				2	4	4		2	4	6	EA	DEADMAN, 12" x 12" x 16'
1					2						4				EA	DEADMAN, 12" x 12" x 18'
2	4	4	4	4	4	8	8	8	8	8	8	12	12	12	EA	GALVANIZED ANCHOR POINT
	2,000	3,000	4,000	5,000	6,000	7,000	8,000	9,000	10,000	11,000	12,000	13,000	14,000	15,000		8' TANKS



ITEM	QTY	QTY	QTY	QTY	QTY	QTY	QTY	QTY	QTY	QTY	QTY	QTY	QTY	QTY	UNIT	DESCRIPTION
1					4	4	4			4					EA	DEADMAN, 8 3/4" x 18" x 14'
1								4		2	6	2	8		EA	DEADMAN, 8 3/4" x 18" x 18'
1	2	2	2						4			4			EA	DEADMAN, 8 3/4" x 18" x 22'
2	8	8	8	8	8	8	8	12	16	16	20	24	28		EA	GALVANIZED ANCHOR POINT
	10,000	11,000	12,000	13,000	14,000	15,000	20,000	22,000	25,000	30,000	35,000	40,000				10' TANKS

**XERXES**<sup>®</sup>  
a zcl company

TITLE  
XERXES PRECAST DEADMEN  
ANCHOR POINT ASSEMBLY

DATE 4-14 DR. NO. S11-377.03