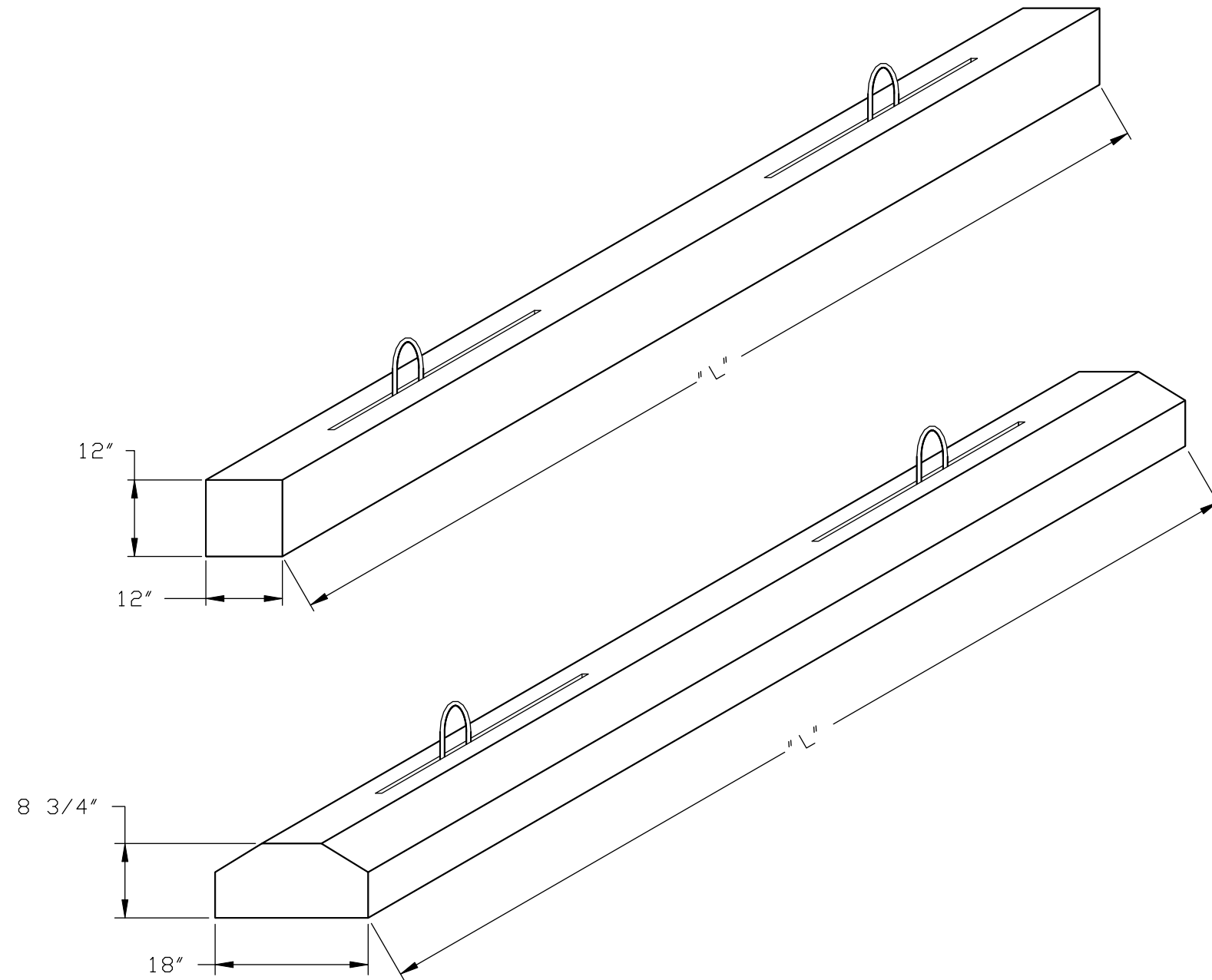


XERXES DEADMAN

TANK SIZE GALLONS	QTY	"L"	APPROX. WEIGHT EACH
4' -600	2	12'	1,800 LBS
4' -1,000	2	12'	1,800 LBS
4' -1,500	2	16'	2,400 LBS
4' -2,000	2	18'	2,700 LBS
6' -1,500	2	12'	1,800 LBS
6' -2,000	2	12'	1,800 LBS
6' -3,000	2	16'	2,400 LBS
6' -4,000	2	18'	2,700 LBS
6' -5,000	4	12'	1,800 LBS
6' -6,000	4	16'	2,400 LBS
6' -8,000	4	18'	2,700 LBS
8' -2,000	2	12'	1,800 LBS
8' -3,000	2	12'	1,800 LBS
8' -4,000	2	12'	1,800 LBS
8' -5,000	2	16'	2,400 LBS
8' -6,000	2	18'	2,700 LBS
8' -7,000	4	12'	1,800 LBS
8' -8,000	4	12'	1,800 LBS
8' -9,000	2	12'	1,800 LBS
	2	16'	2,400 LBS
8' -10,000	4	16'	2,400 LBS
8' -11,000	4	16'	2,700 LBS
8' -12,000	4	18'	2,700 LBS
8' -13,000	4	12'	1,800 LBS
	2	16'	2,400 LBS
8' -14,000	2	12'	1,800 LBS
	4	16'	2,400 LBS
8' -15,000	6	16'	2,400 LBS
10' -10,000	2	22'	3,000 LBS
10' -11,000	2	22'	3,000 LBS
10' -12,000	2	22'	3,000 LBS
10' -13,000	4	14'	1,900 LBS
10' -14,000	4	14'	1,900 LBS
10' -15,000	4	14'	1,900 LBS
10' -20,000	4	18'	2,400 LBS
10' -22,000	4	22'	3,000 LBS
10' -25,000	4	14'	1,900 LBS
	2	18'	2,400 LBS
10' -30,000	6	18'	2,400 LBS
10' -35,000	2	18'	2,400 LBS
	4	22'	3,000 LBS
10' -40,000	8	18'	2,400 LBS



XERXES PRECAST DEADMEN

- XERXES DEADMEN ARE ENGINEERED AND DESIGNED TO BE USED WITH XERXES TANKS.
- IN MULTIPLE TANK INSTALLATIONS, EACH TANK REQUIRES ITS OWN SET OF DEADMEN.
- FOR CAST IN PLACE OR DEADMAN CONSTRUCTED OFF SITE, REFER TO XERXES INSTALLATION MANUAL AND OPERATING GUIDELINES FOR PROPER SIZING AND ANCHOR POINT SPECIFICATIONS.

XERXES[®]
a ZCL company

TITLE
XERXES PRECAST DEADMEN

DATE 4-14 DR. NO. S11-376.03