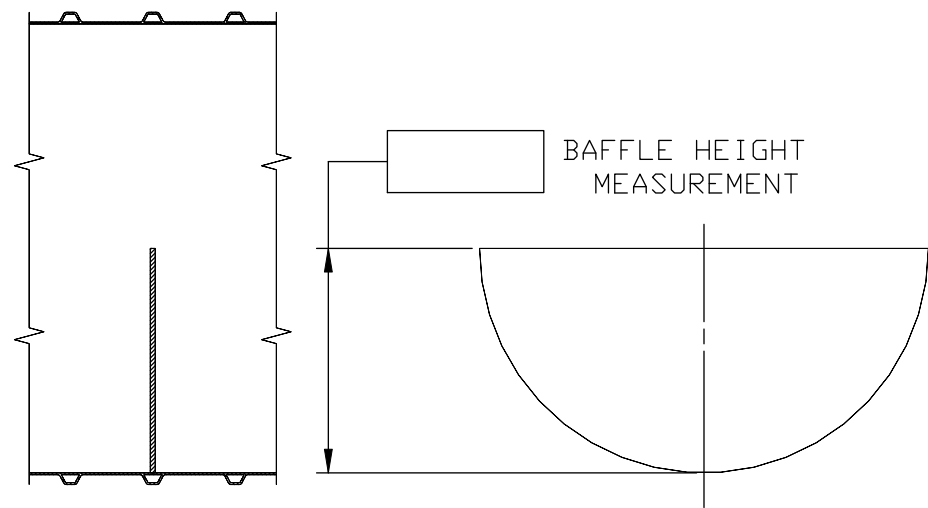
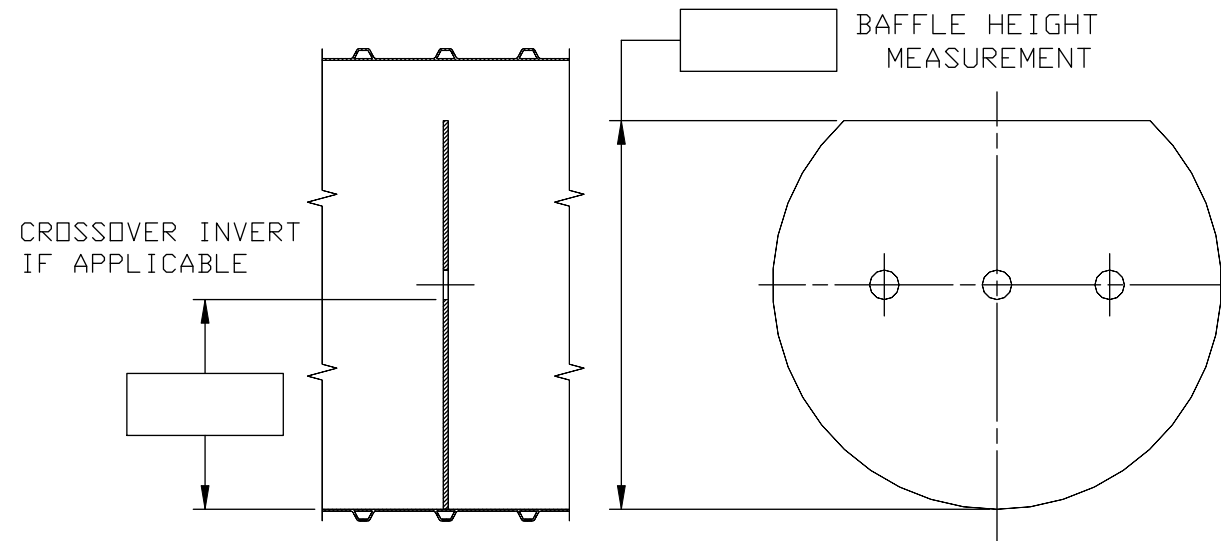


NOTE: SITE SPECIFIC DATA () MUST BE FILLED IN BY SPECIFIER, OWNER OR INSTALLING CONTRACTOR.



1/2 BAFFLE

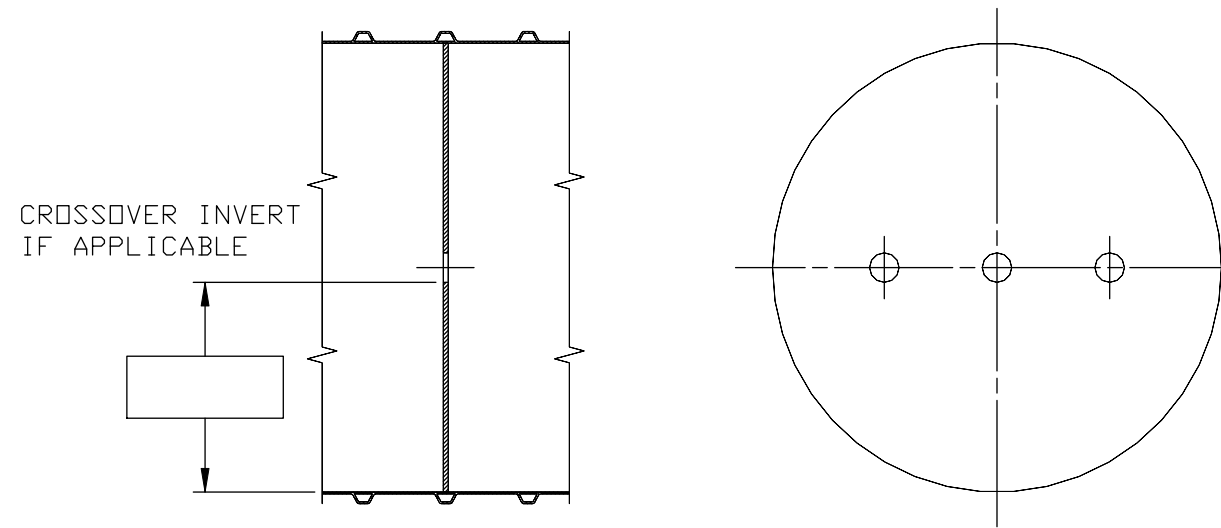


7/8 BAFFLE

IF USING CROSSOVER PIPING, COMPLETE DIMENSION REQUIREMENTS AND ATTACH A COPY OF CROSSOVER PIPING OR FLOW HOLE DRAWING SPECIFYING TYPE & SIZE.

BAFFLE CROSSOVER WILL BE: FLOW-THROUGH HOLES (PLEASE CHECK ONE) CROSSOVER PIPING

IF USING FLOW-THROUGH HOLES: DIAMETER OF HOLE(S) QUANTITY OF HOLE(S)



FULL BAFFLE

BAFFLE MUST PROVIDE A SOLID BARRIER FOR LIQUIDS/SOLIDS SEPARATION YES NO

XERXES[®]
a ZCL company

TITLE
BAFFLES/
PARTITION WALL

DATE 1-14 DR. NO. S11-362.02