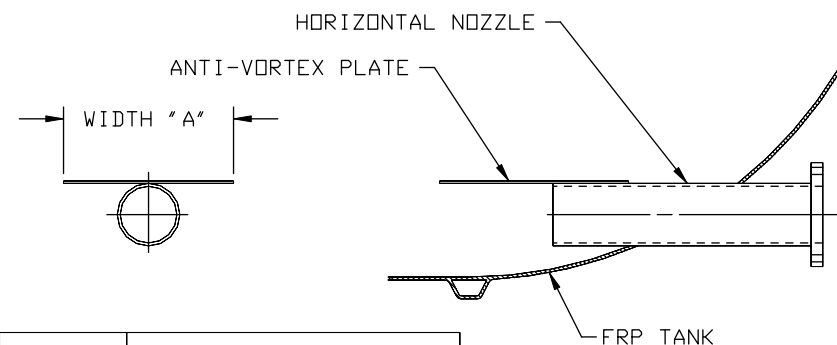
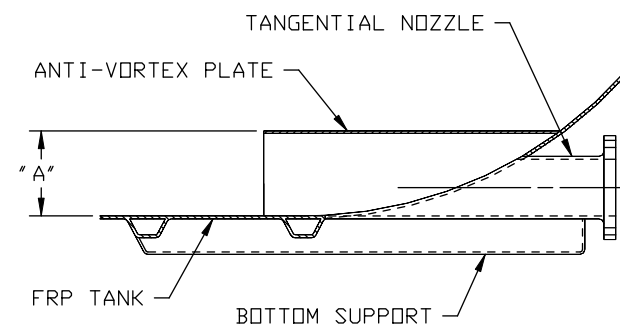


### HORIZONTAL NOZZLE



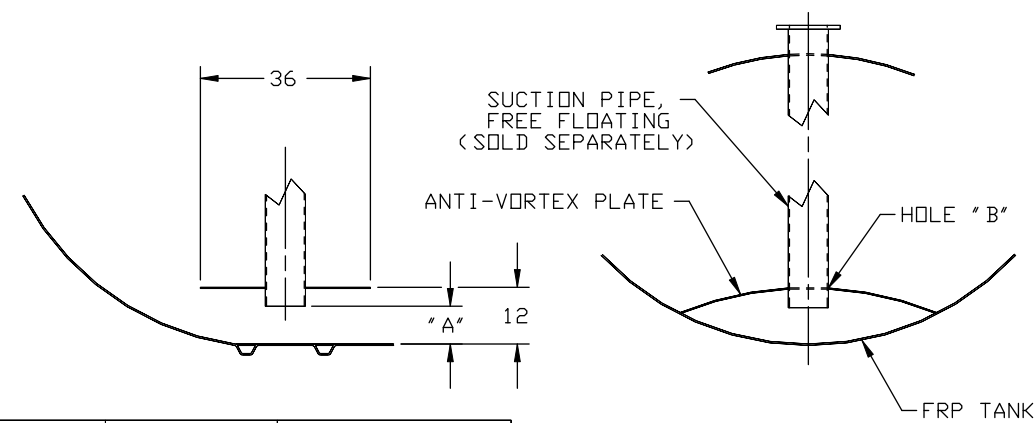
NOZZLE SIZE	ANTI-VORTEX PLATE WIDTH "A"
2" DIA	14"
4" DIA	16"
6" DIA	18"
8" DIA	20"
10" DIA	22"
12" DIA	24"

### TANGENTIAL NOZZLE



NOZZLE SIZE	ANTI-VORTEX PLATE HEIGHT "A"
2" DIA	5"
4" DIA	7"
6" DIA	9"
8" DIA	14"
10" DIA	16"
12" DIA	18"

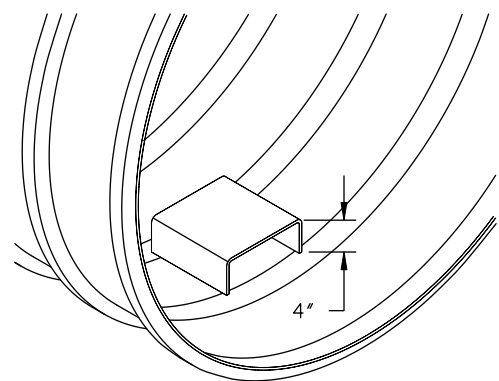
### VERTICAL NOZZLE



PIPE DIA	"A" HIGH	"B" HOLE
4"	6"	4 5/8"
6"	6"	6 3/4"
8"	8"	8 3/4"
10"	10"	10 3/4"
12"	10"	12 3/4"

### PUMP PLATFORM

- NOTE:
- PUMP PLATFORMS ARE USED FOR PUMPS UP TO 300 LBS.
  - STANDARD PLATFORM SIZES AVAILABLE ARE 24" x 24", 24" x 36" & 36" x 36".
  - FOR CUSTOM SIZED PLATFORM REQUIREMENTS, CONSULT A XERXES SALES REPRESENTATIVE.



**XERXES**<sup>®</sup>  
a zcl company

TITLE  
ANTI-VORTEX OPENINGS &  
PUMP PLATFORM

DATE 1-14 | DR. NO. S11-372.02