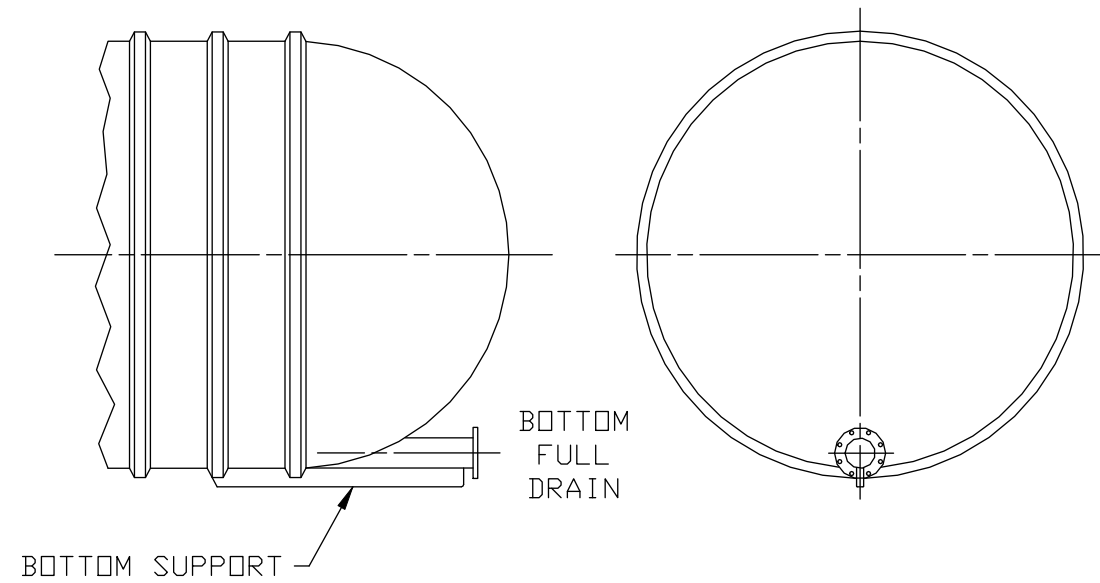


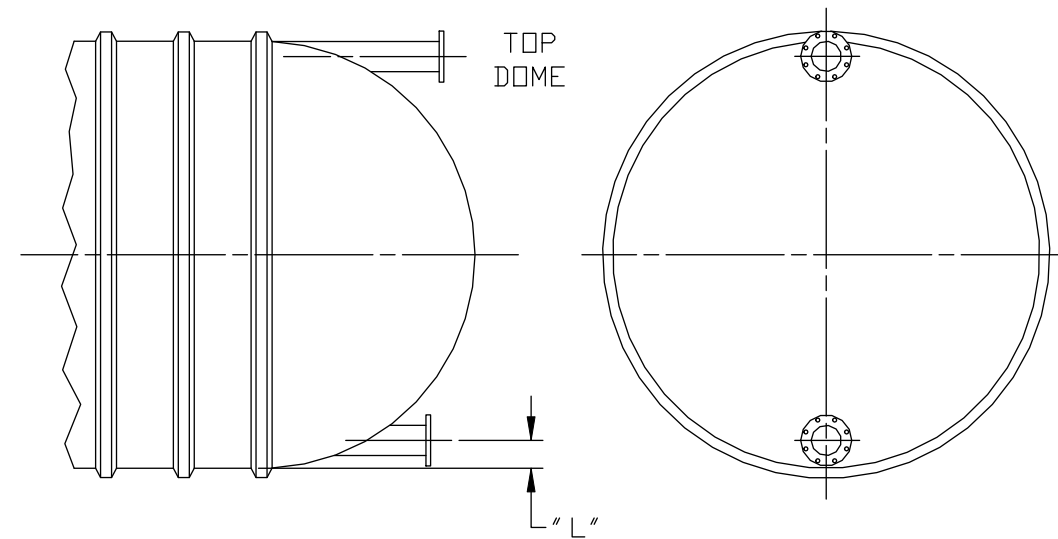
NOTE:

- 150 LBS. ANSI BOLT PATTERN STANDARD ON ALL FLANGED NOZZLES.
- NOZZLES AVAILABLE IN 2", 4", 6", 8", 10", 12", 14", 16" AND 18" DIAMETERS.

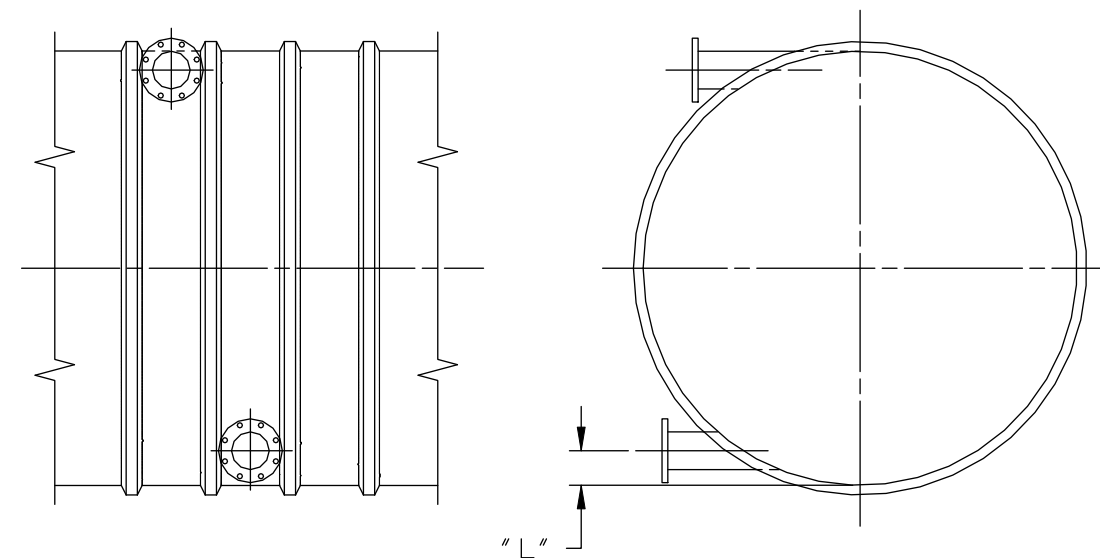
BOTTOM FULL DRAIN NOZZLE



TOP AND BOTTOM NOZZLES



SIDE WALL NOZZLES



| NOZZLE PLACEMENT | |
|------------------|-------------------|
| NOZZLE DIA. | NOZZLE HEIGHT "L" |
| 2" | 3" |
| 4" | 5" |
| 6" | 6" |
| 8" | 7" |
| 10" | 8" |
| 12" | 10" |
| 14" | 11" |
| 16" | 12" |
| 18" | 13" |

XERXES[®]
a zcl company

TITLE

FIBERGLASS NOZZLES

DATE 1-14

DR. NO. S11-371.02