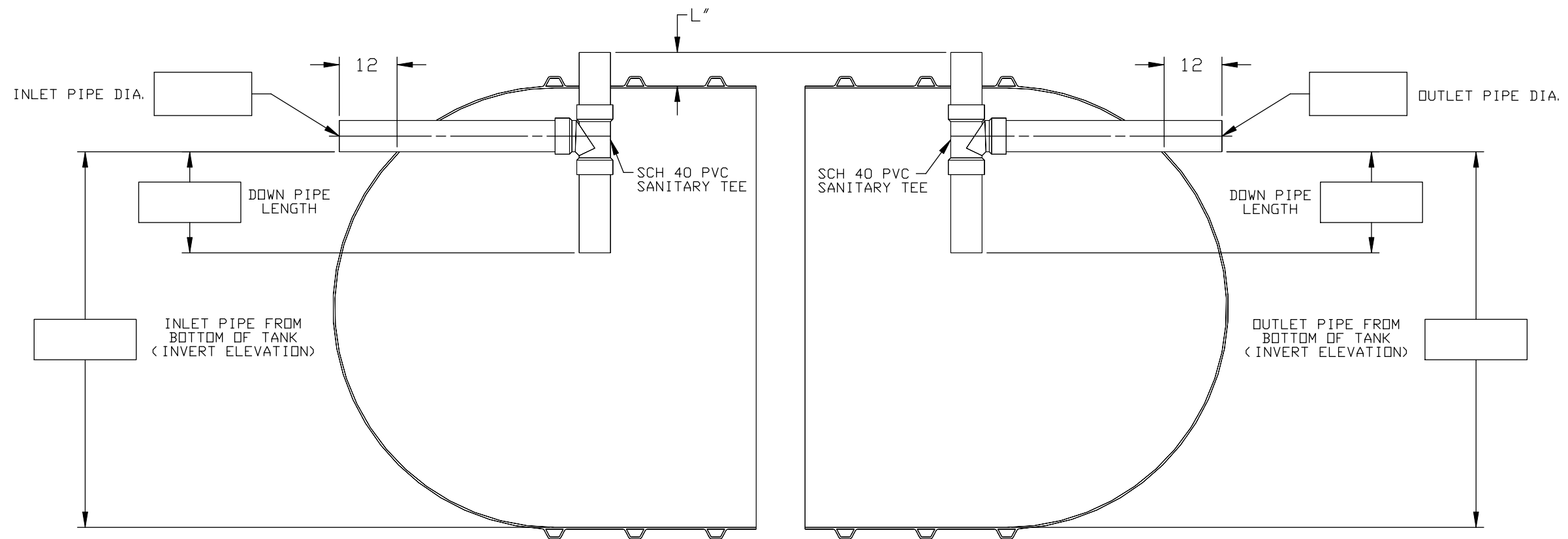


NOTE: SITE SPECIFIC DATA (  ) MUST BE FILLED IN BY SPECIFIER, OWNER OR INSTALLING CONTRACTOR.

PIPES LARGER THAN 8" IN DIAMETER WILL PENETRATE THROUGH THE TANK AT A RIB LOCATION. SMALLER PIPES WILL PENETRATE THROUGH THE FLAT AS SHOWN.



MAXIMUM HEIGHT OF INVERT ELEVATION

PIPE SIZES	TANK SIZES					"L" PIPE PROJECTION
	4' DIA.	6' DIA.	8' DIA.	10' DIA.	12' DIA.	
2" DIA.	41"	64"	84"	112"	130"	7"
3" DIA.	39"	62"	82"	110"	128"	7"
4" DIA.	38"	61"	81"	108"	127"	7"
6" DIA.	34"	58"	78"	106"	124"	7"
8" DIA.	33"	56"	76"	105"	122"	8"
10" DIA.	N/A	N/A	69"	97"	115"	11"
12" DIA.	N/A	N/A	67"	95"	113"	12"

**XERXES**<sup>®</sup>  
a ZCL company

TITLE  
INLET/OUTLET SANITARY TEE  
THROUGH TANK WALL

DATE 1-14 DR. NO. S11-364.02