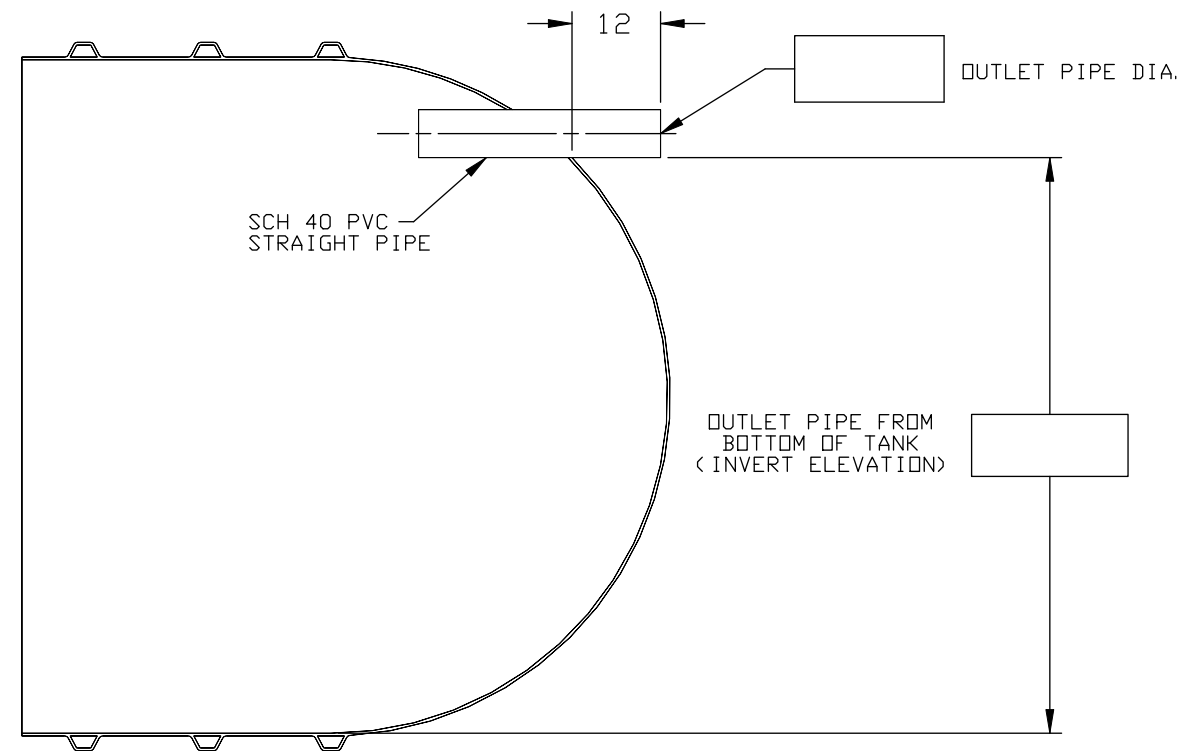
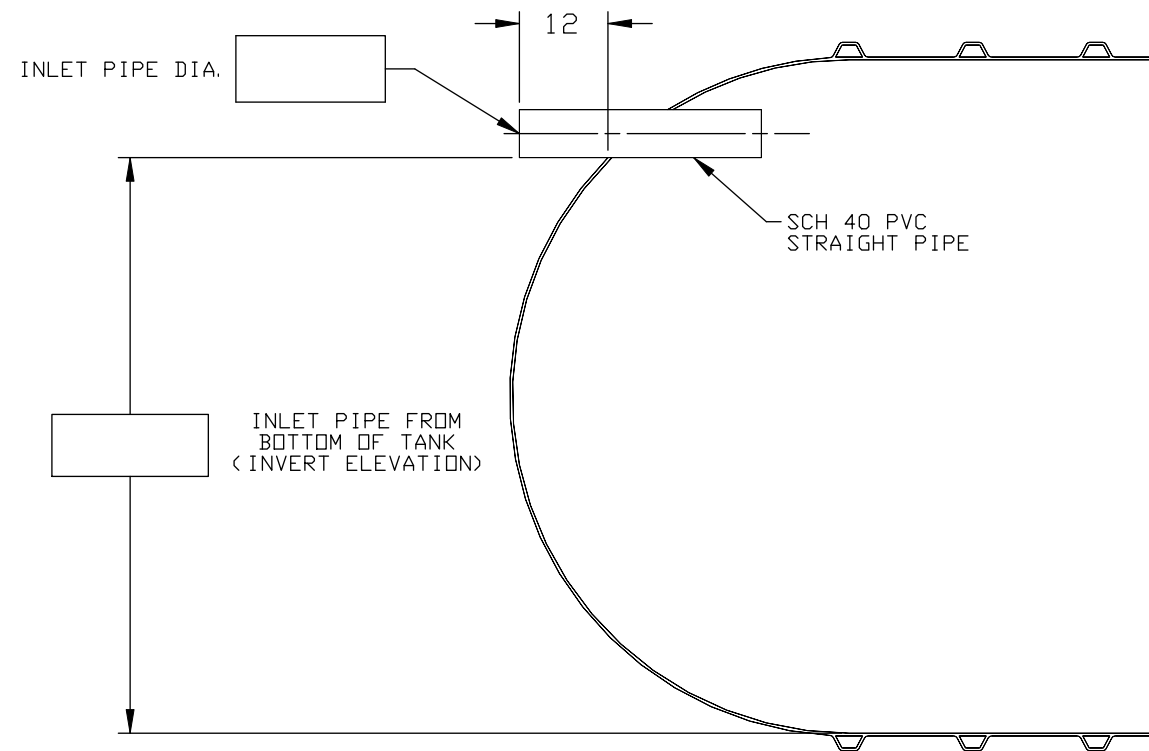


NOTE: SITE SPECIFIC DATA () MUST BE FILLED IN BY SPECIFIER, OWNER OR INSTALLING CONTRACTOR.



MAXIMUM HEIGHT OF INVERT ELEVATION

PIPE SIZES	TANK SIZES				
	4' DIA.	6' DIA.	8' DIA.	10' DIA.	12' DIA.
2" DIA.	41"	64"	84"	112"	130"
3" DIA.	40"	63"	83"	111"	129"
4" DIA.	39"	62"	82"	110"	128"
6" DIA.	37"	60"	80"	108"	126"
8" DIA.	35"	58"	78"	106"	124"
10" DIA.	N/A	N/A	76"	104"	121"
12" DIA.	N/A	N/A	74"	102"	119"

XERXES[®]
a zcl company

TITLE
INLET/OUTLET
STRAIGHT PIPE

DATE 1-14 DR. NO. S11-365.02