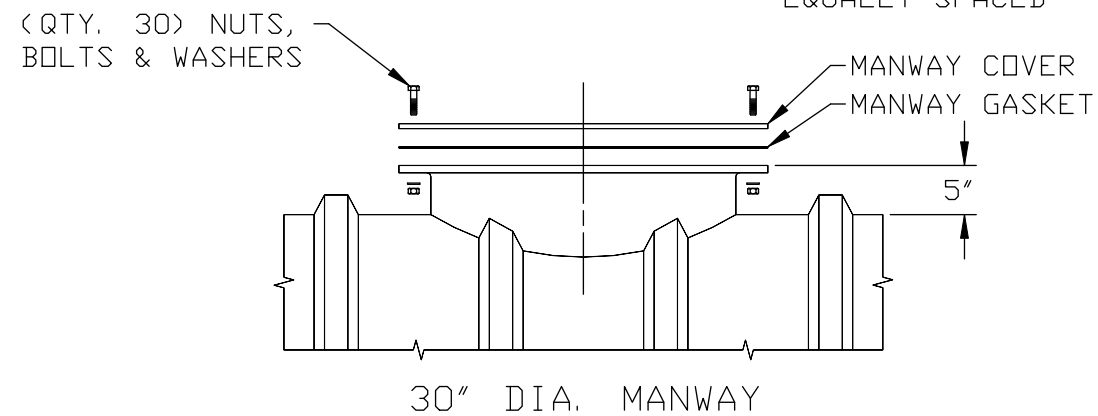
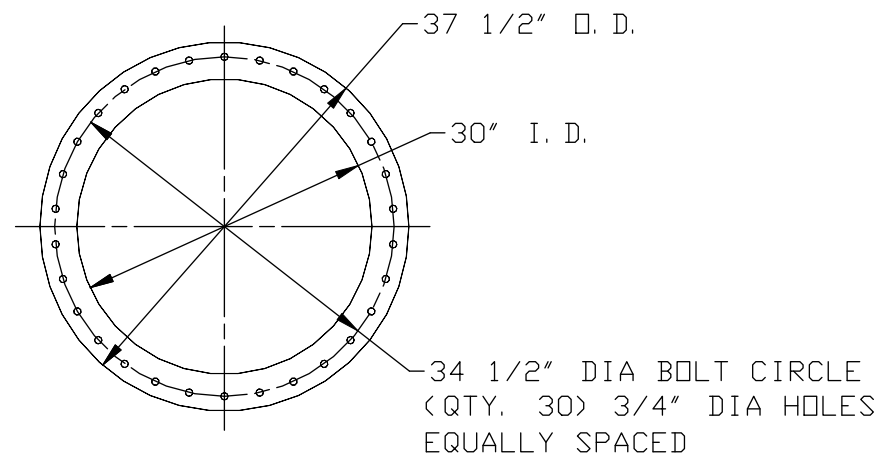
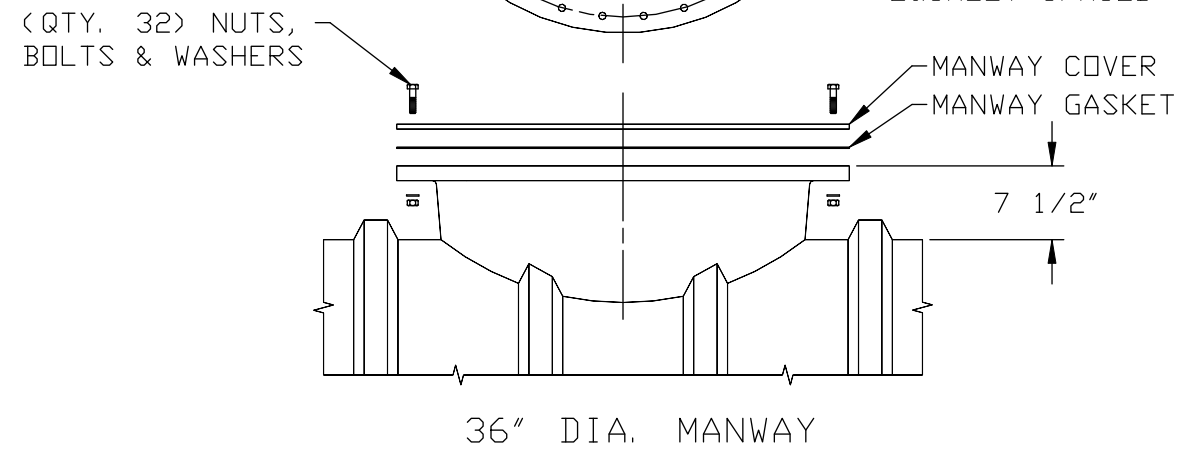
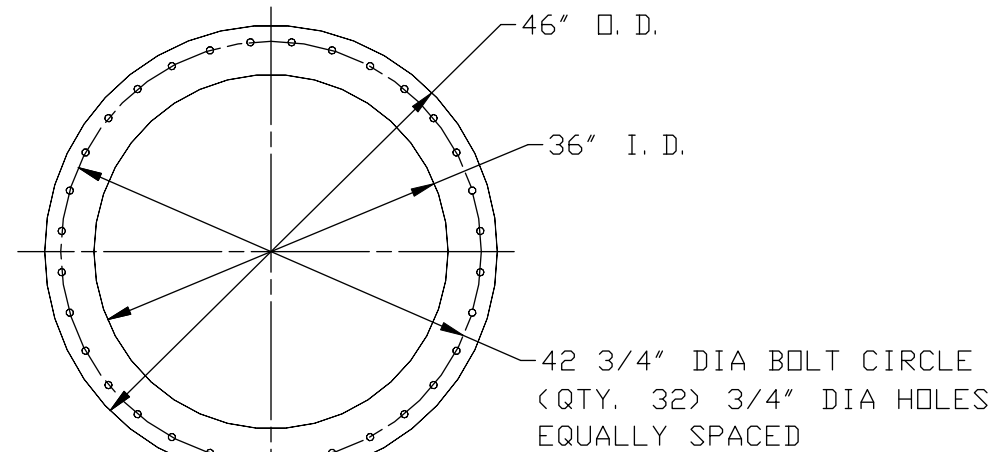


NOTE: 22" MANWAYS ARE CENTERED ON A RIB.
30" AND 36" MANWAYS ARE CENTERED ON A FLAT.



XERXES[®]
a zcl company

TITLE
22", 30" & 36" MANWAY
SW & DW TANKS

DATE 1-14 DR. NO. S11-369.02