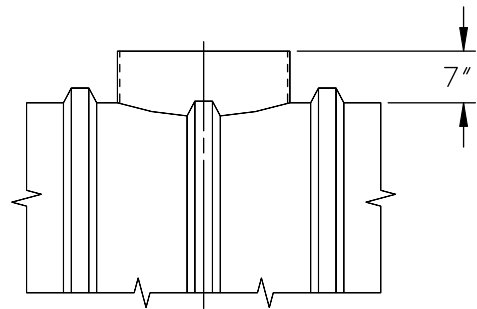
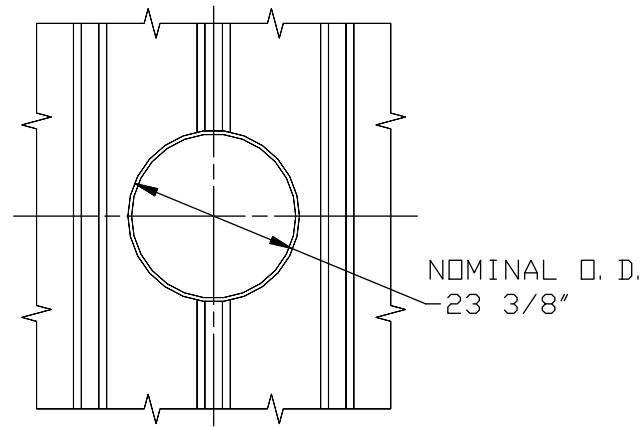
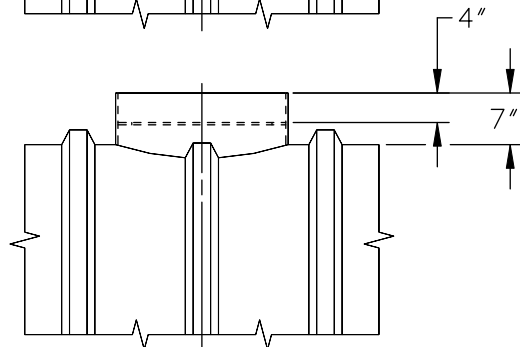
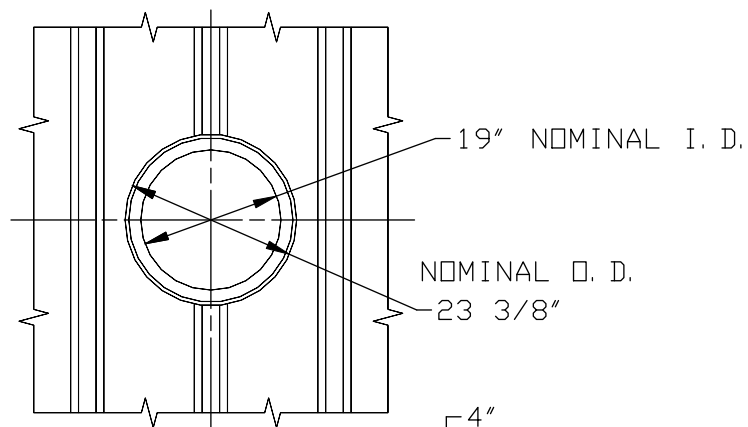


NOTE: A 24" DIA. ACCESS OPENING IS ALWAYS CENTERED ON A RIB.

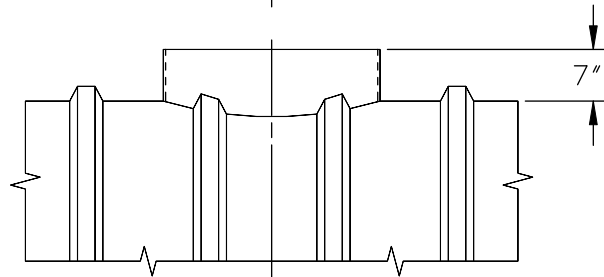
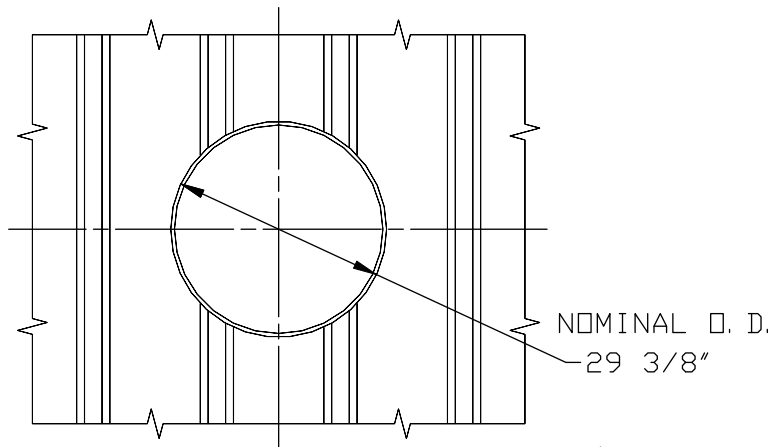


24" DIA ACCESS OPENING

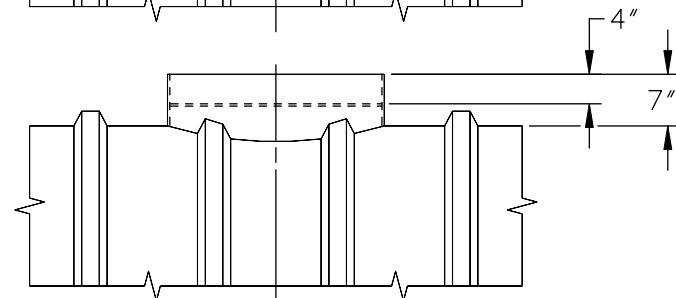
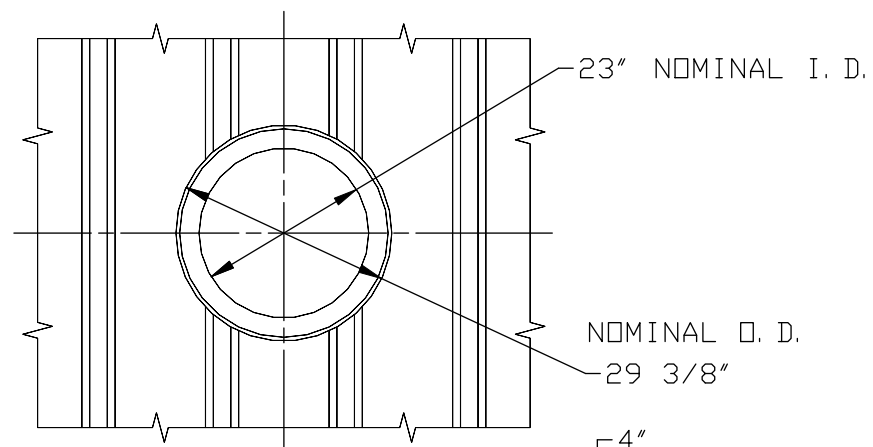


24" DIA ACCESS OPENING
WITH INTERNAL FLANGE

NOTE: A 30" DIA. ACCESS OPENING IS ALWAYS CENTERED ON A FLAT.



30" DIA ACCESS OPENING



30" DIA ACCESS OPENING
WITH INTERNAL FLANGE

XERXES[®]
a ZCL company

TITLE
24" & 30" ACCESS OPENINGS

DATE 1-14 DR. NO. S11-368.02