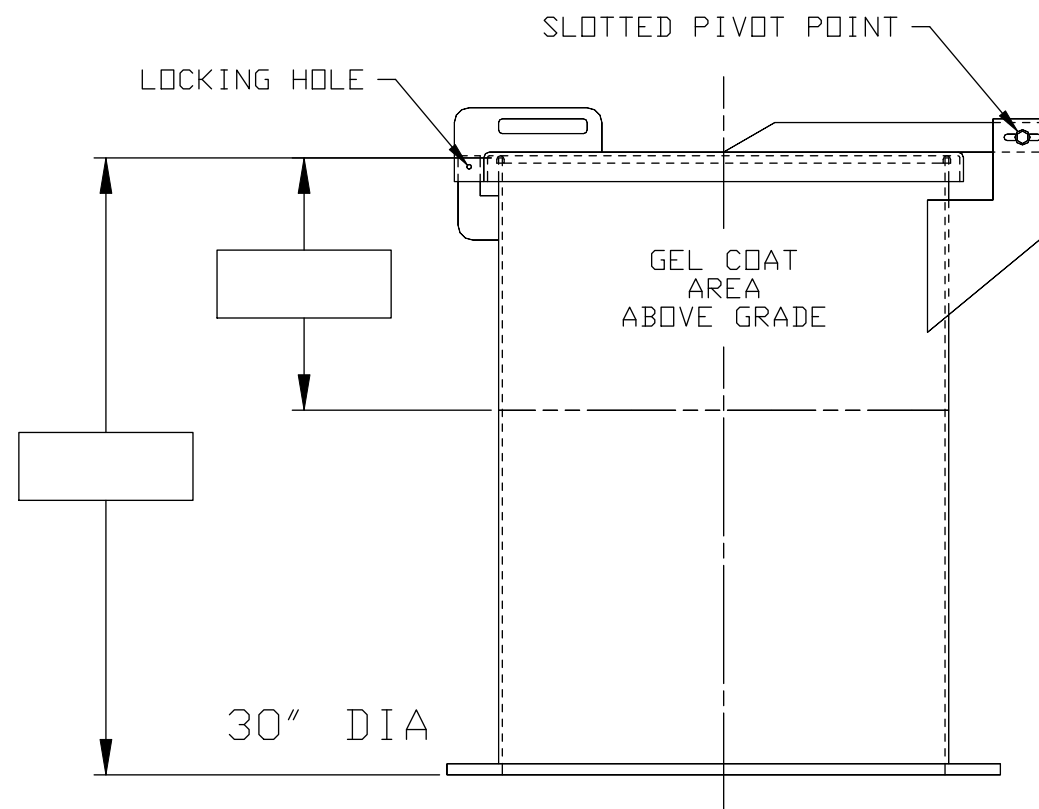
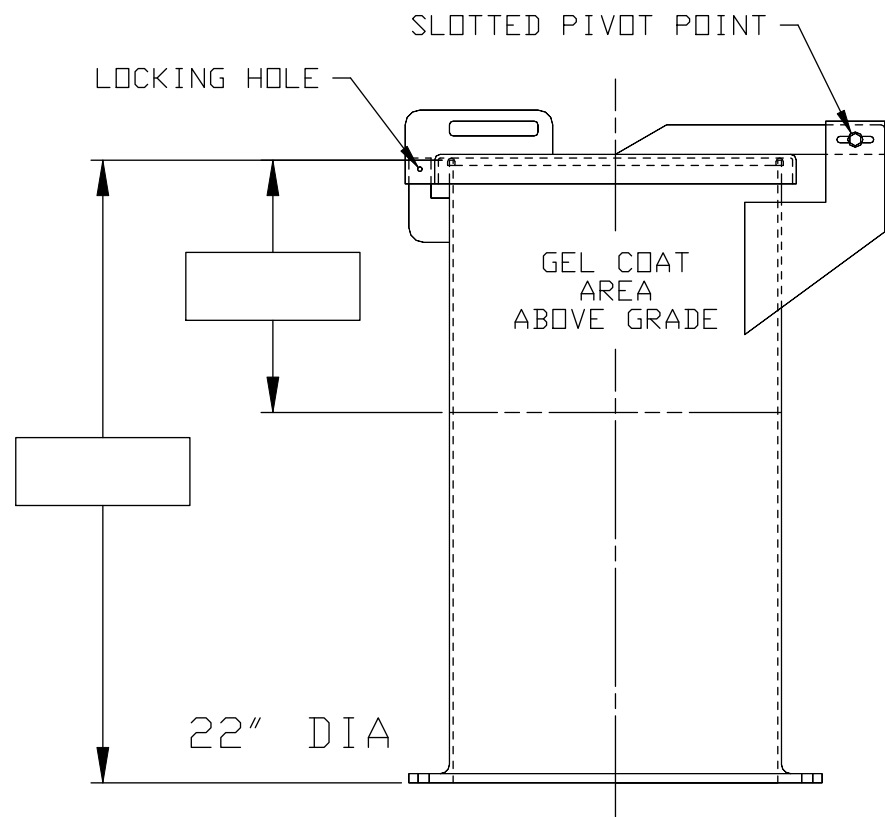
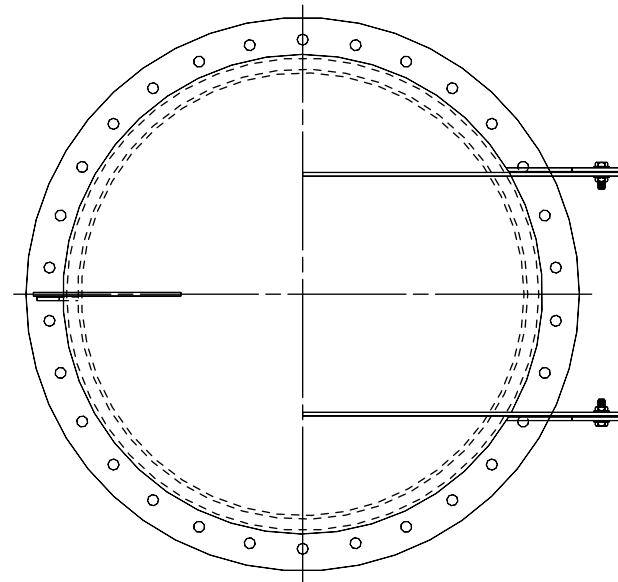


GEL COAT

- - WHITE
- - TAN
- - GREEN



XERXES[®]
a zcl company

TITLE 22" DIA & 30" DIA
HINGED & LOCKABLE
MANWAY EXTENSION

DATE 1-14 DR. NO. S11-382.02