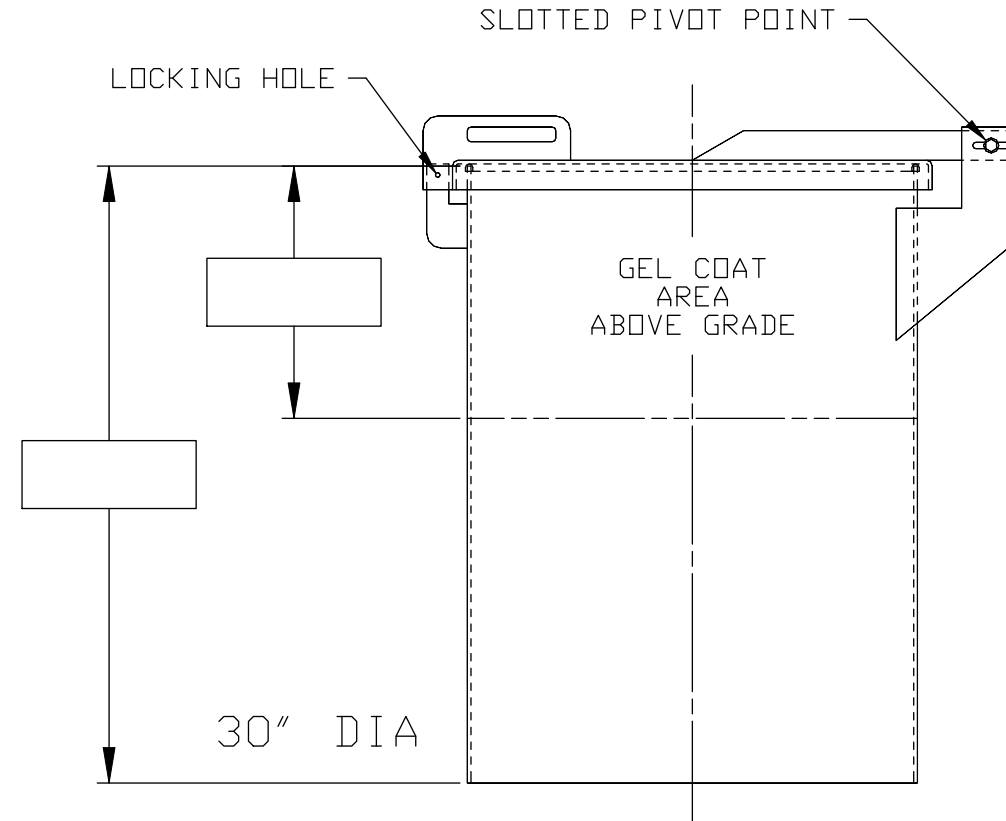
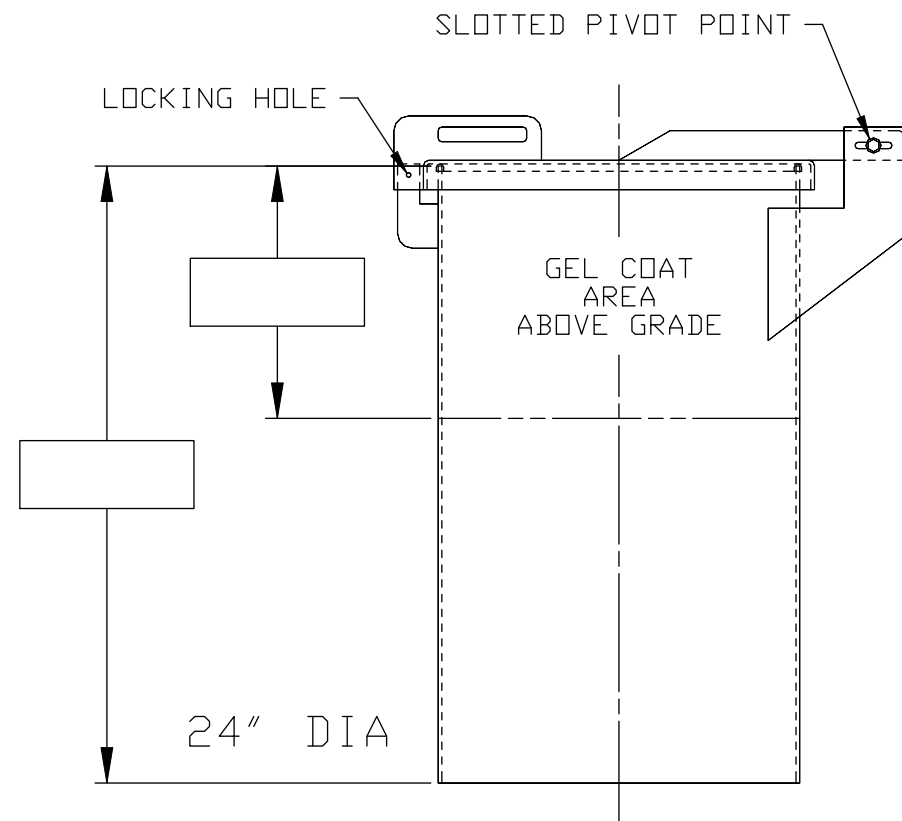
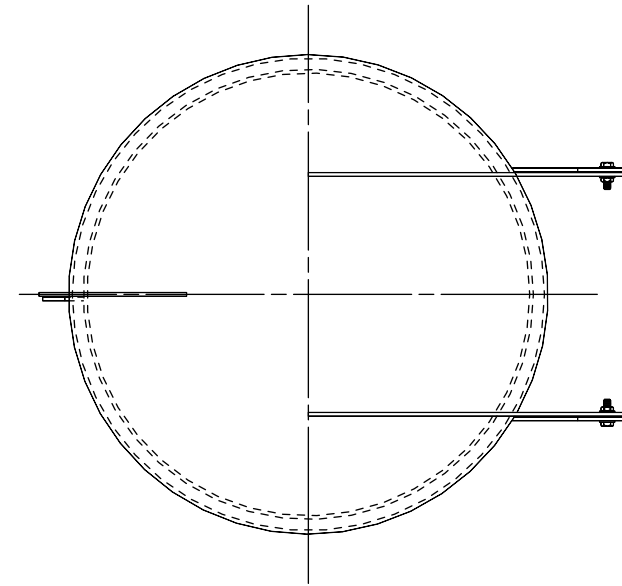


GEL COAT

- - WHITE
- - TAN
- - GREEN



XERXES[®]
a ZCL company

TITLE 24" DIA & 30" DIA
HINGED & LOCKABLE
RISER EXTENSION

DATE 1-14 DR. NO. S11-381.02