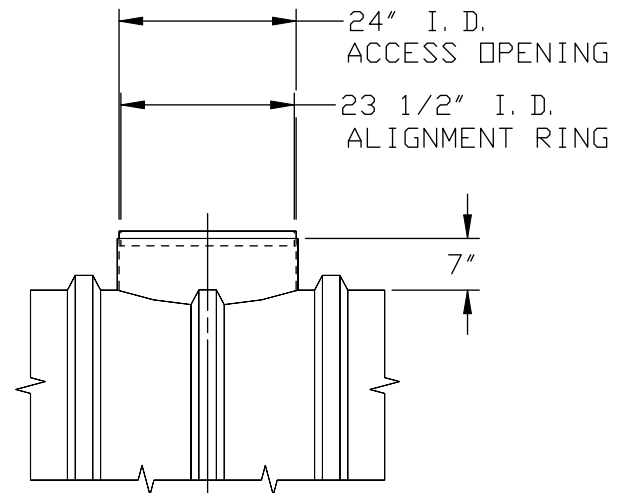
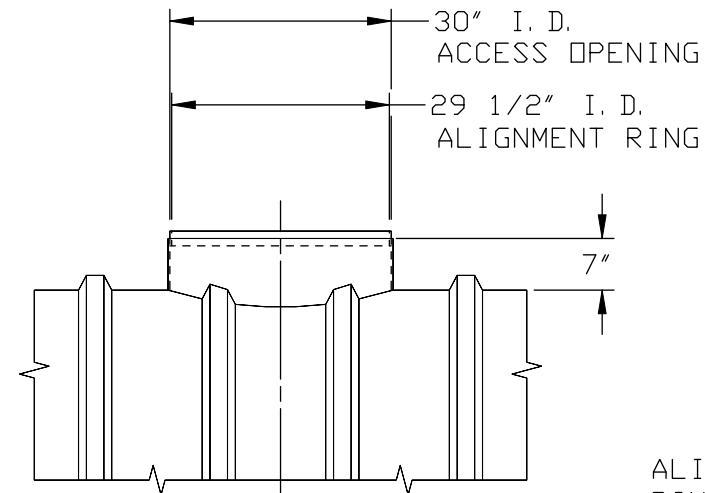


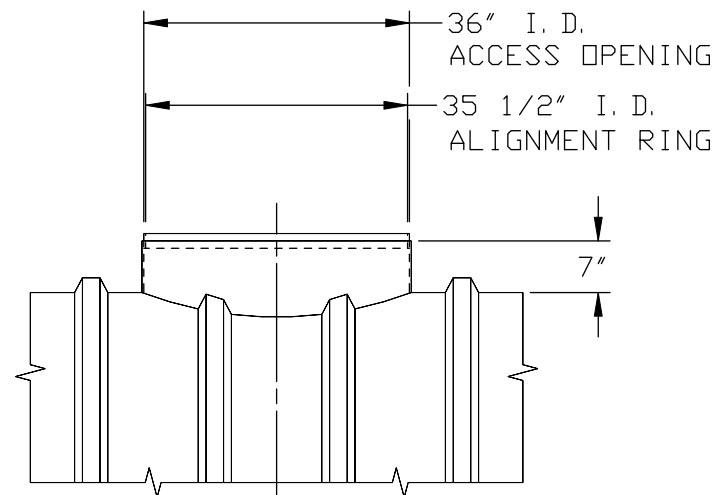
NOTE: ACCESS OPENINGS WITH ALIGNMENT RINGS ARE USED IN CONJUNCTION WITH FIBERGLASS ACCESS RISERS AND TYPICALLY USE AN OUTSIDE FIBERGLASS JOINT LAY-UP ATTACHMENT, FOR A WATERTIGHT CONNECTION.



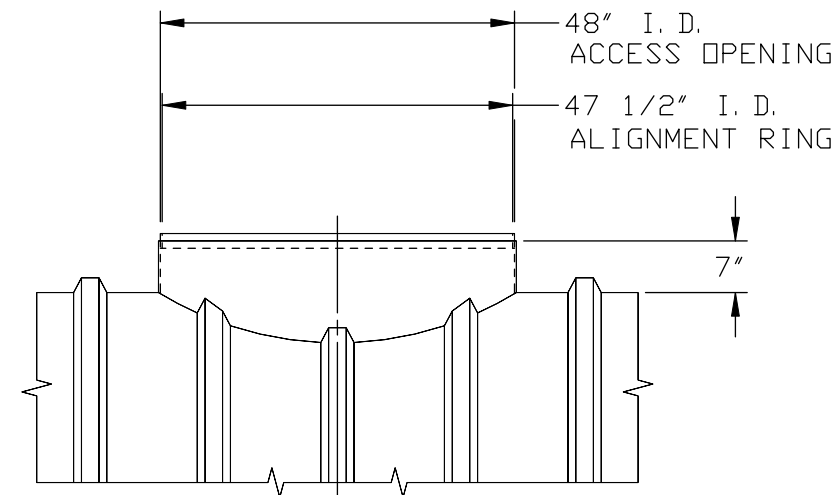
24" DIA ACCESS OPENING



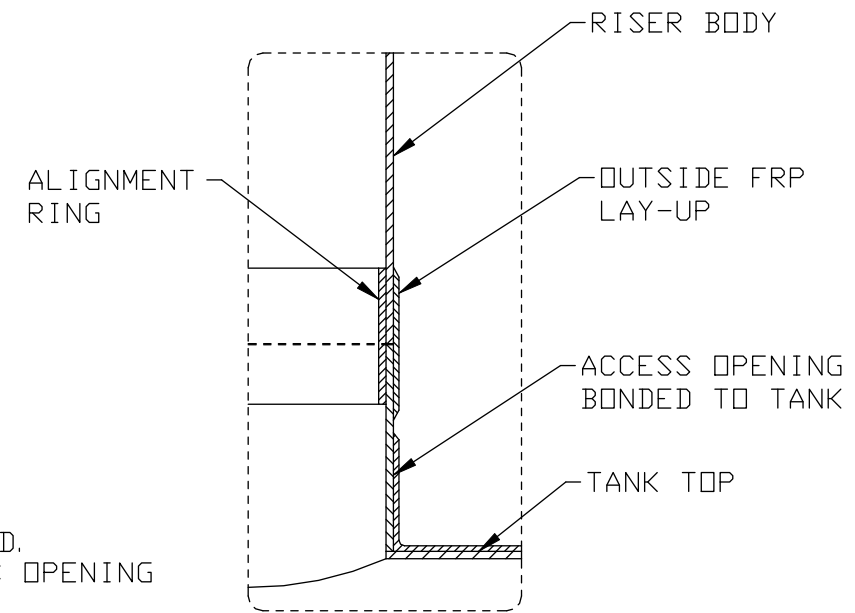
30" DIA ACCESS OPENING



36" DIA ACCESS OPENING



48" DIA ACCESS OPENING



**XERXES**<sup>®</sup>  
a zcl company

TITLE  
24", 30", 36" & 48" DIA  
ACCESS OPENINGS WITH  
ALIGNMENT RING

DATE 11-13 DR. NO. S11-722.00