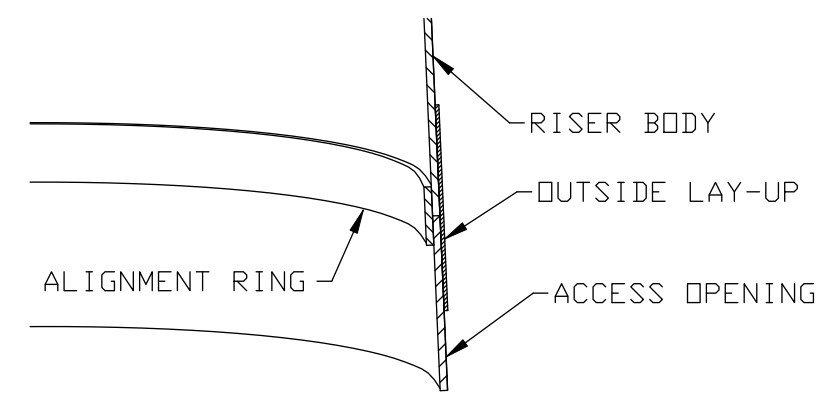
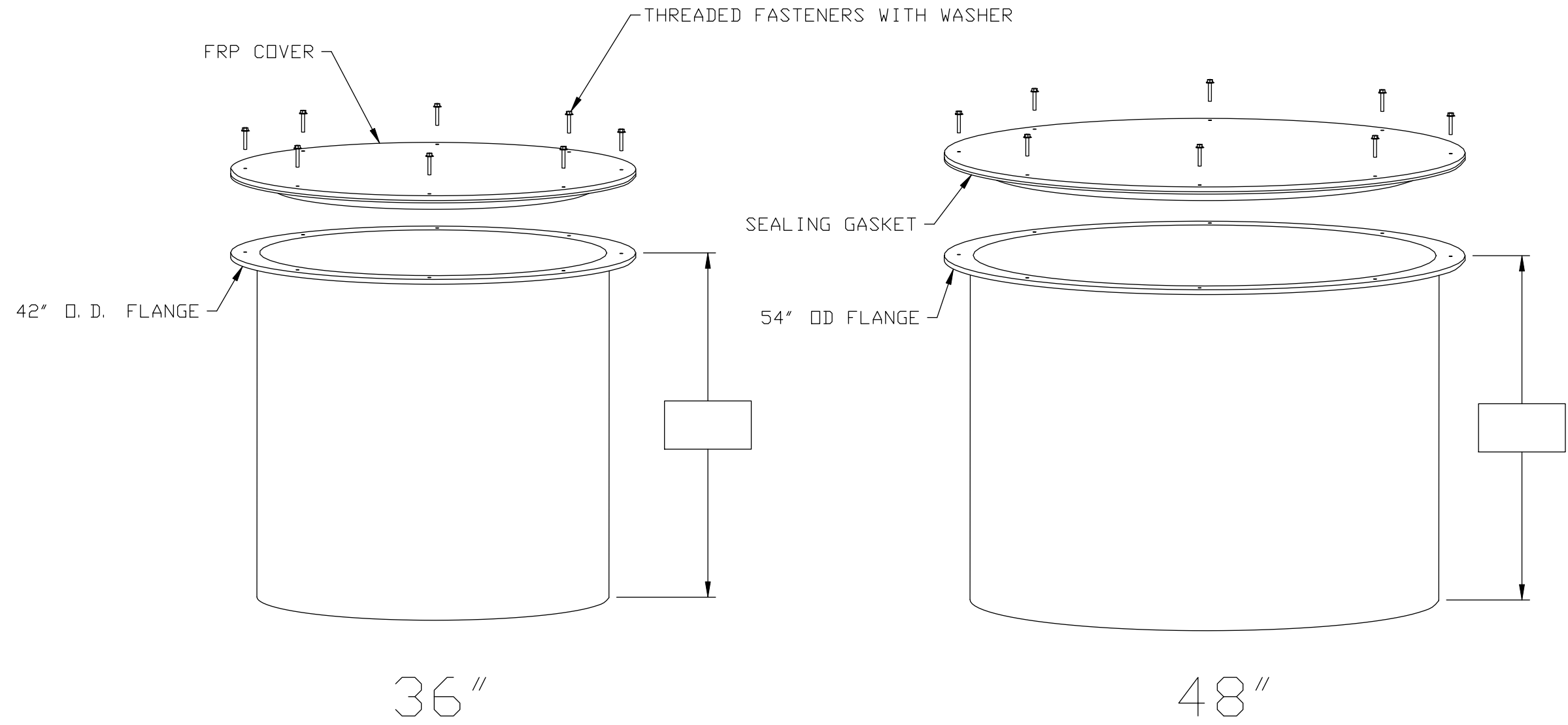


- FRP access risers are available in 1' increments starting at 2' high.
- FRP access risers mate to corresponding FRP access opening.



*FLANGED RISER BODY
TO ACCESS OPENING
ASSEMBLY*

XERXES[®] a zcl company	
TITLE 36" DIA & 48" DIA FRP FLANGED RISER WITH FRP BOLT-ON LID	
DATE 10-13	DR. NO. S11-721.00