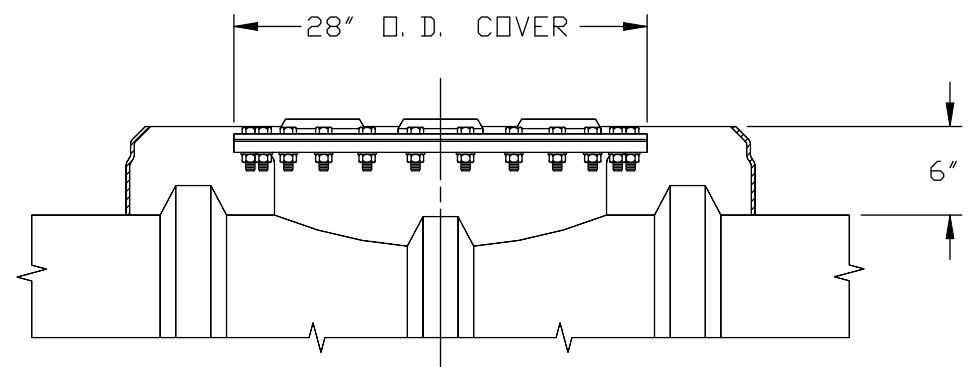
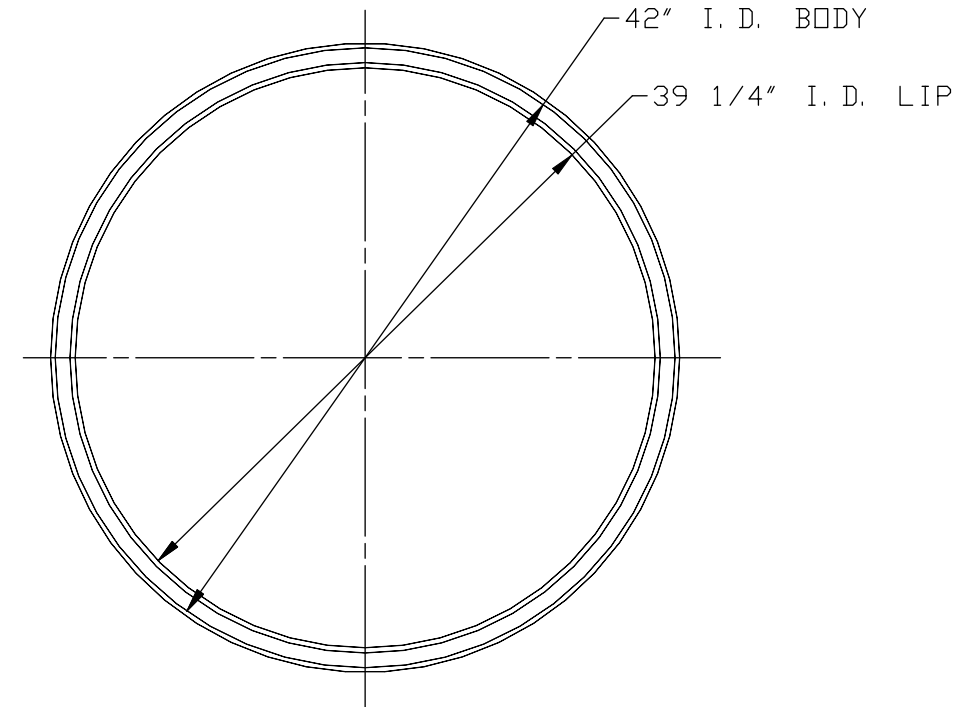
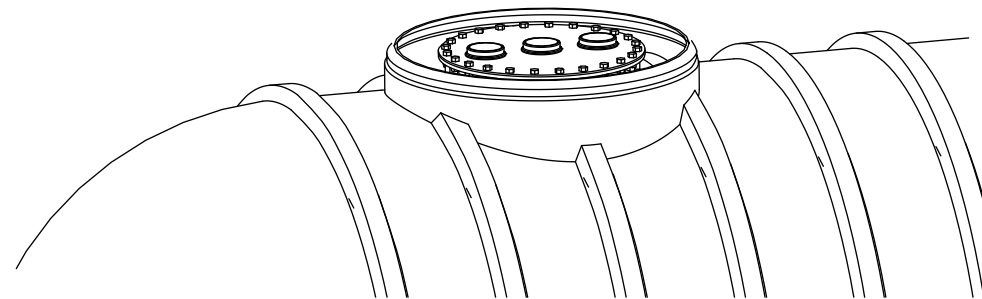


42" COLLAR AROUND
2 - 4" NPT FITTINGS



42" COLLAR AROUND
22" DIA MANWAY



TOP VIEW OF COLLAR

XERXES[®]
a ZCL company

TITLE
42" CONTAINMENT COLLAR
AROUND FITTINGS & MANWAY

DATE 12-13 DR. NO. S11-723.00