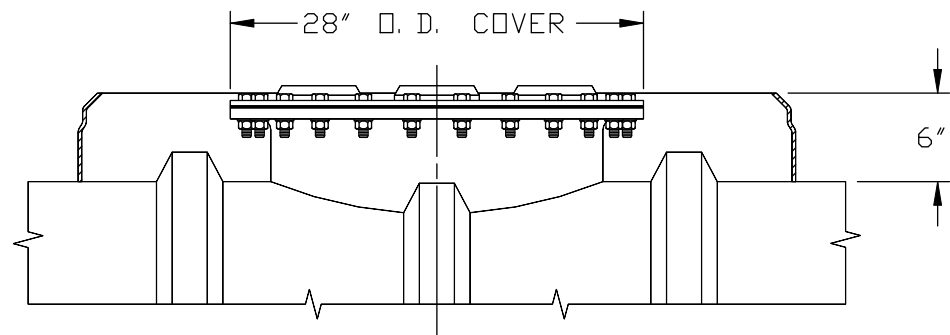
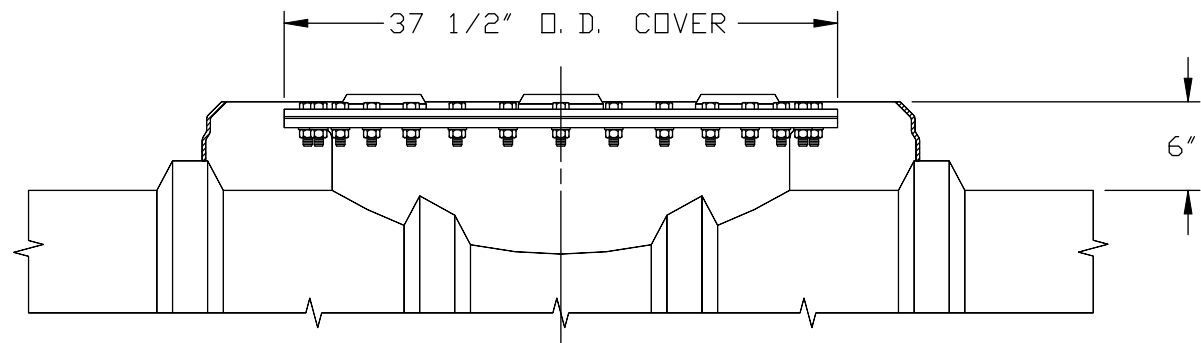


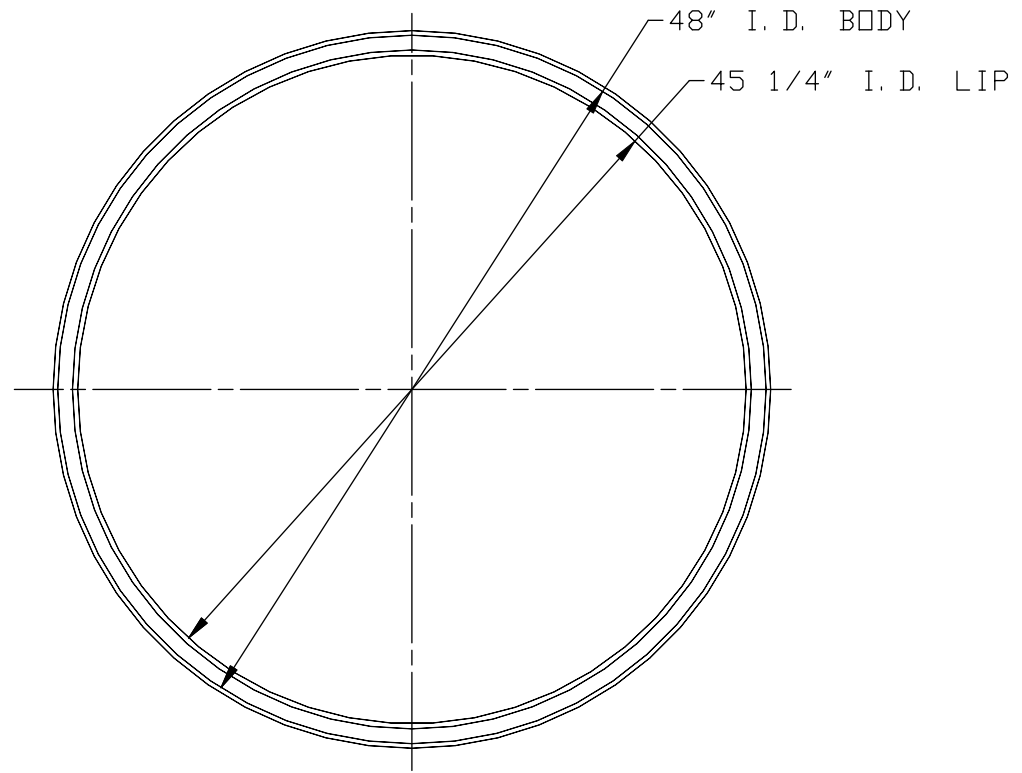
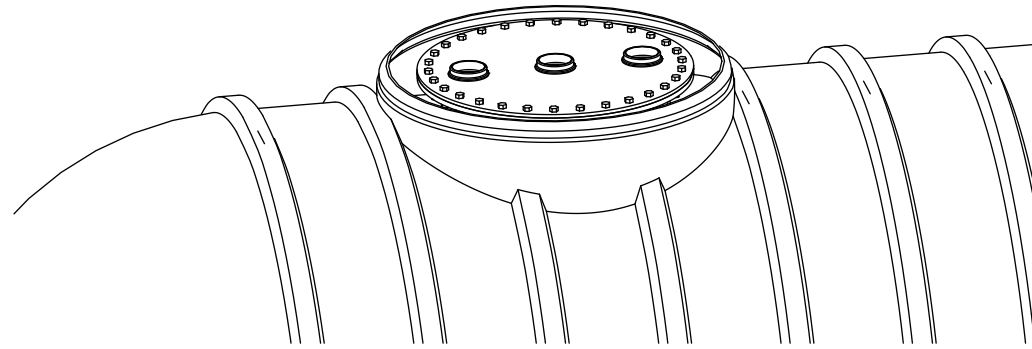
48" COLLAR AROUND
3 - 4" NPT FITTINGS



48" COLLAR AROUND
22" DIA MANWAY



48" COLLAR AROUND
30" DIA MANWAY



TOP VIEW OF COLLAR

XERXES[®]
a zcl company

TITLE
48" CONTAINMENT COLLAR
AROUND FITTINGS & MANWAYS

DATE 12-13 DR. NO. S11-724.00