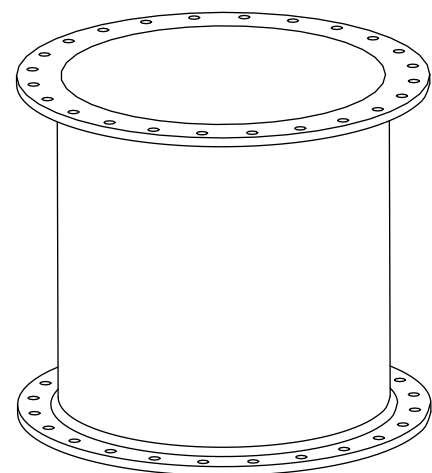
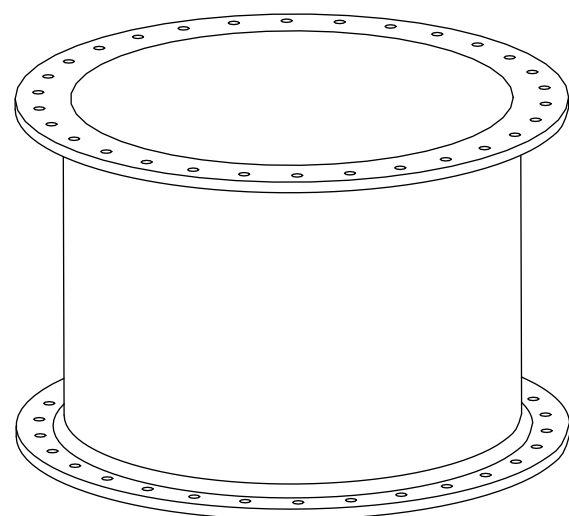


NOTE:

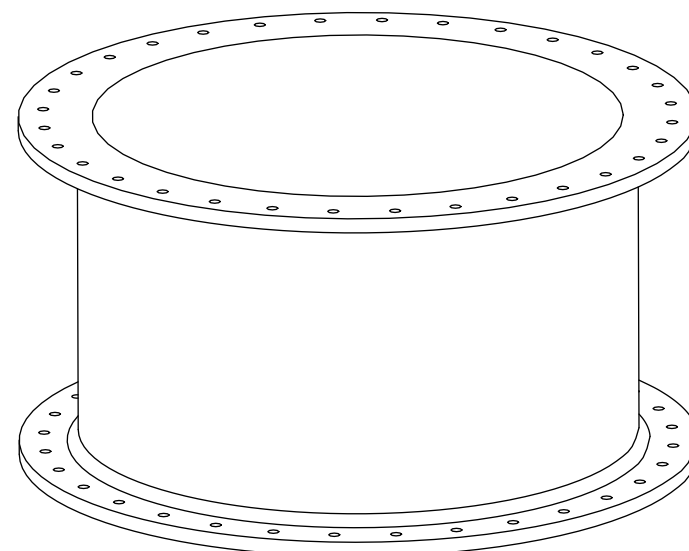
1 - GASKET AND ADDITIONAL BOLT SET
IS INCLUDED WITH EACH EXTENSION.



22" DIA



30" DIA



36" DIA

AVAILABLE IN HEIGHT INCREMENTS OF 12"
STARTING AT 24" HIGH

XERXES[®]
a ZCL company

TITLE
FIBERGLASS
MANWAY EXTENSIONS

DATE 1-12 DR. NO. S11-578.01