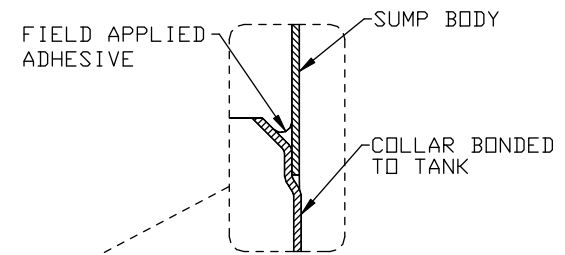
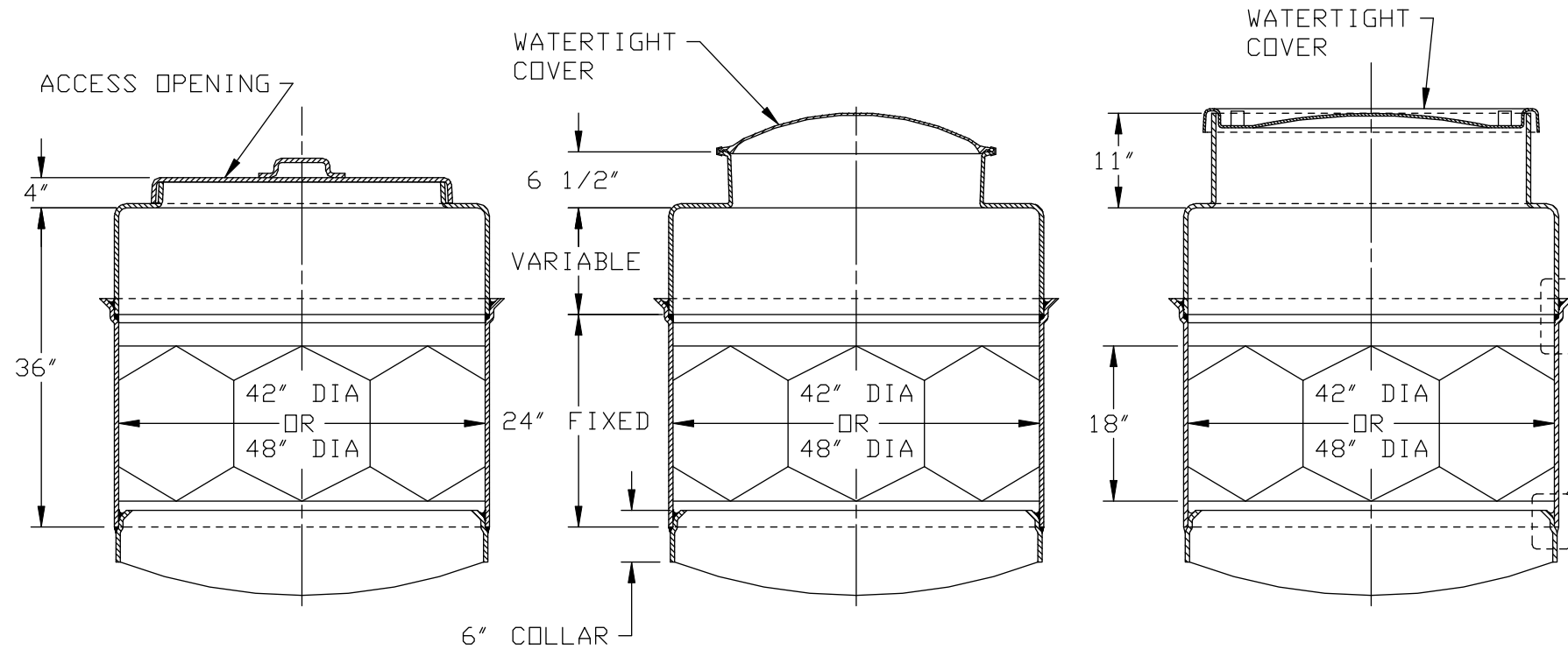


TYPICAL TOP JOINT DETAIL  
SCALE: 1/4



TYPICAL BOTTOM JOINT DETAIL  
SCALE: 1/4



AVAILABLE IN HEIGHT INCREMENTS OF 6"  
STARTING AT 36" HIGH

**XERXES**<sup>®</sup>  
a zcl company

TITLE  
FLAT SIDED SW CONTAINMENT  
SUMPS AND COVERS

DATE 12-13 DR. NO. S11-577.04