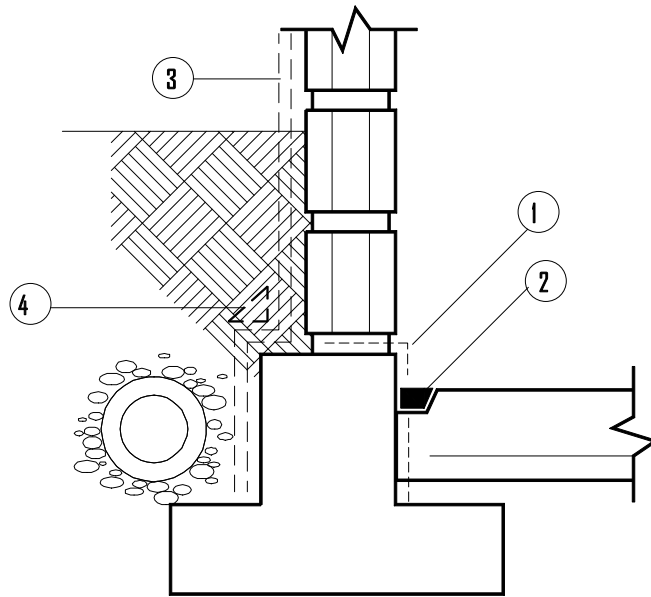


## XYPEX PROJECT SPECIFICATIONS & SCHEMATIC DRAWINGS

### CONCRETE BLOCK WALL - BELOW GRADE



--- CONCENTRATE SLURRY COAT

■ CONCENTRATE DRY-PAC

--- MODIFIED SLURRY COAT

- ① PRIOR TO PLACEMENT OF THE CONCRETE WALL AND SLAB, APPLY ONE SLURRY COAT OF XYPEX CONCENTRATE TO JOINT SURFACES AT THE RATE OF 2.0 LB./SQ. YD. (1.0 KG/M<sup>2</sup>)
- ② IN SEALING STRIP, APPLY ONE SLURRY COAT OF XYPEX CONCENTRATE AT THE RATE OF 1.5 LB./SQ. YD. (0.8 KG/M<sup>2</sup>), THEN FILL SLOT TO SURFACE WITH XYPEX CONCENTRATE IN DRY-PAC FORM.
- ③ TO EXTERIOR WALL SURFACE AND FOOTING, APPLY TWO SLURRY COATS OF XYPEX CONCENTRATE AT A RATE OF 1.25 TO 1.5 LB./SQ. YD. (0.65 TO 0.8 KG/M<sup>2</sup>) PER COAT. THE SECOND COAT SHOULD BE APPLIED AFTER THE FIRST COAT HAS SET BUT IS STILL "GREEN"
- ④ APPLY A COVE STRIP OF XYPEX MODIFIED MORTAR TO EXTERIOR OF JOINT BETWEEN FOOTING AND BLOCK WALL.

NOTE: BECAUSE OF THE VARIANCES IN THE QUALITY OF CONCRETE BLOCK (E.G. CEMENT CONTENT, POROSITY, ETC.), PLEASE CONSULT YOUR XYPEX TECHNICAL REPRESENTATIVE. SCHEMATIC DIAGRAM SHOWS XYPEX APPLICATION ONLY AND DOES NOT DEPICT THE STANDARD REQUIREMENTS FOR WATERSTOPS OR EXPANSION JOINT SEALANTS.

REFER TO STANDARD SPECIFICATIONS FOR FURTHER INFORMATION.