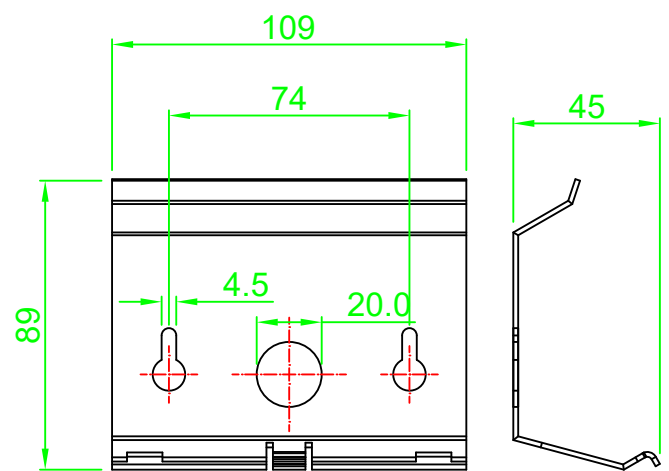
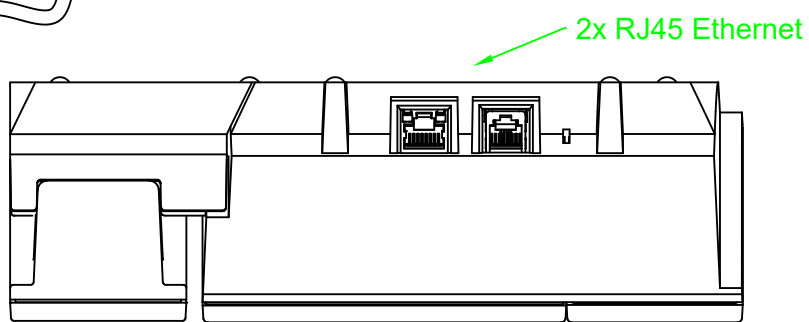


Wall bracket O.no. 1008091100 (optional)



DESKTOP STATION  
IP Desk/Wall Masterstation  
Display and Handset  
O.no.1008001000  
Measurement & Mounting details

|                              |                    |                  |                  |
|------------------------------|--------------------|------------------|------------------|
| Prepared by<br>UT/SEN        | Date<br>24.09.2010 | Project no.<br>- | Revision by<br>- |
| Approved by<br>-             | Date<br>-          | Sheet<br>1/1     | Rev.date<br>-    |
| Dwg.no. / File<br>A100K10921 |                    | Rev. no.<br>00   |                  |