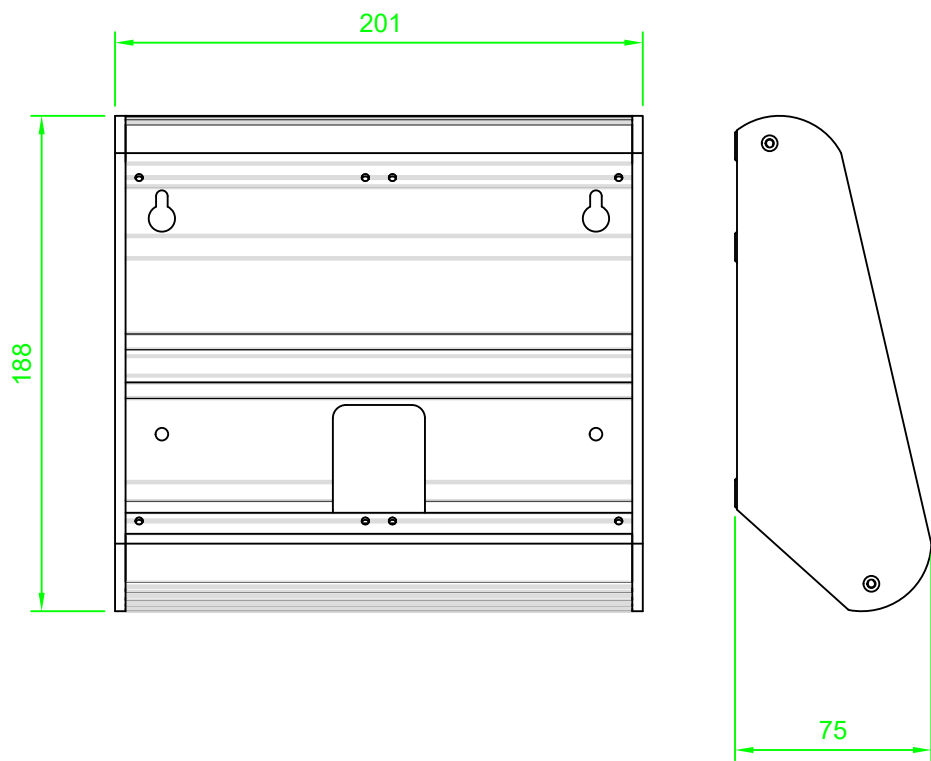
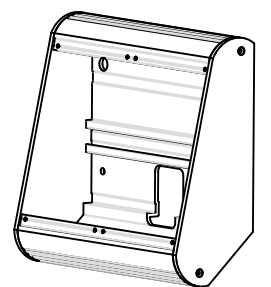
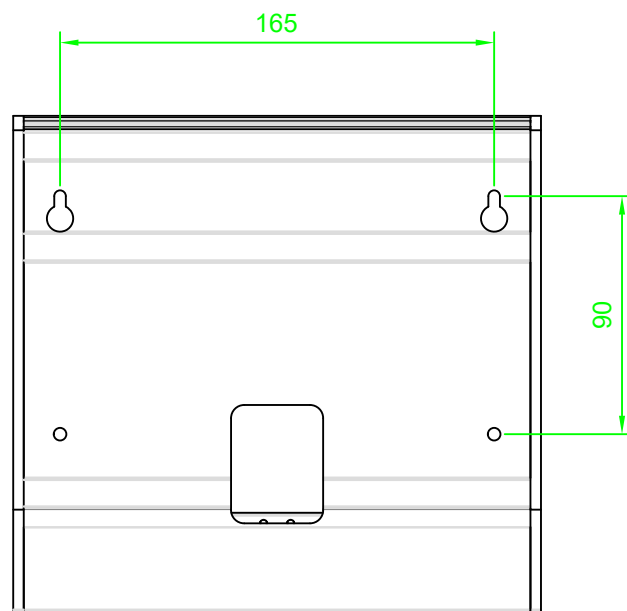


Front view



Rear view



SCALE 1 :2
Dimension in mm

Zenitel - All rights reserved

Rev.	Date	Revision text	Approved	Date



EXIGO ACCESSORIES
Exigo Desktop Mounting Box For Two Access Panels
Type EMBR-2
A.no.1023595020

Prep.by	Date	Project no.	Rev. by
HS/SEN	11.06.2014		
App. by	Date	Sheet	Rev.date
		1/1	
Dwg.no.			Rev.no.
A100K11543			00