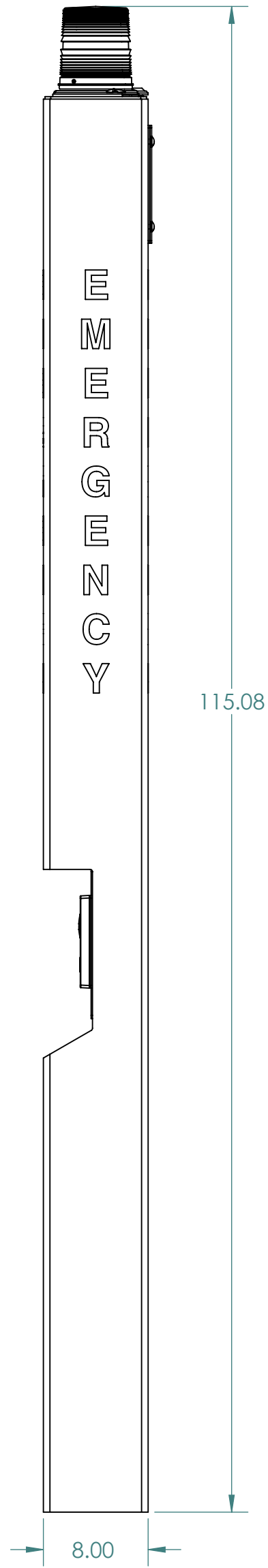
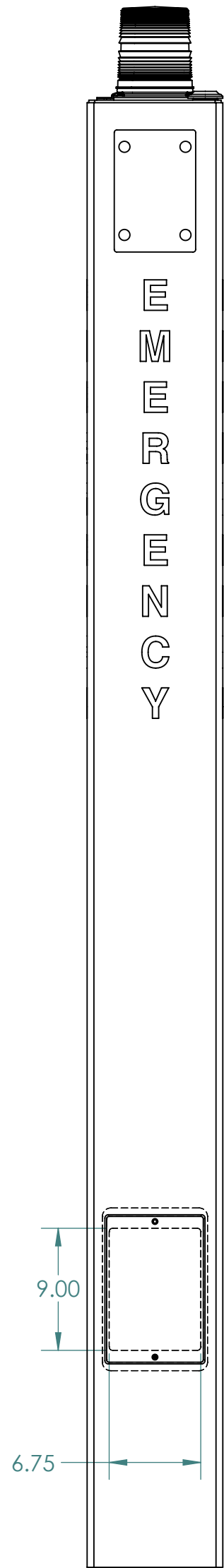


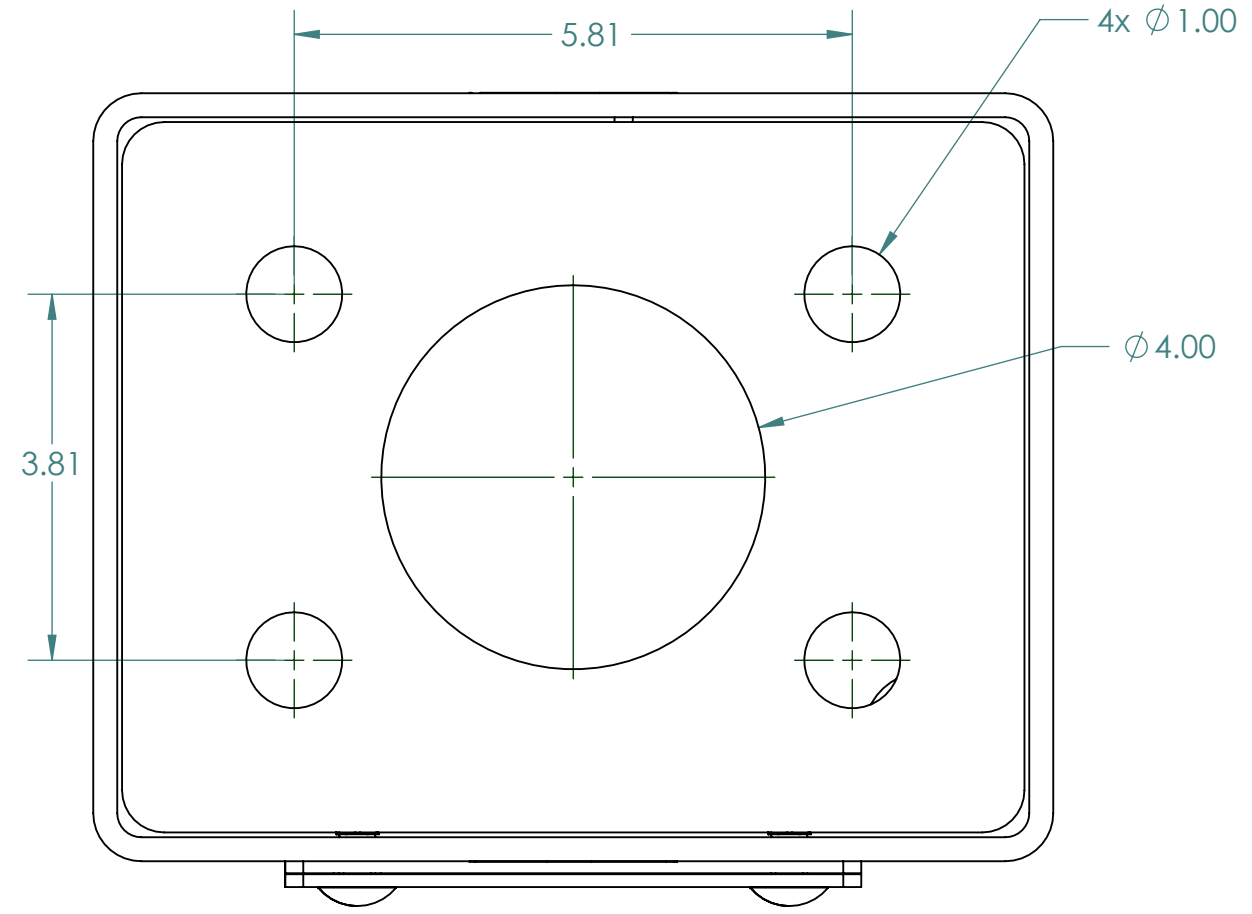
FRONT VIEW



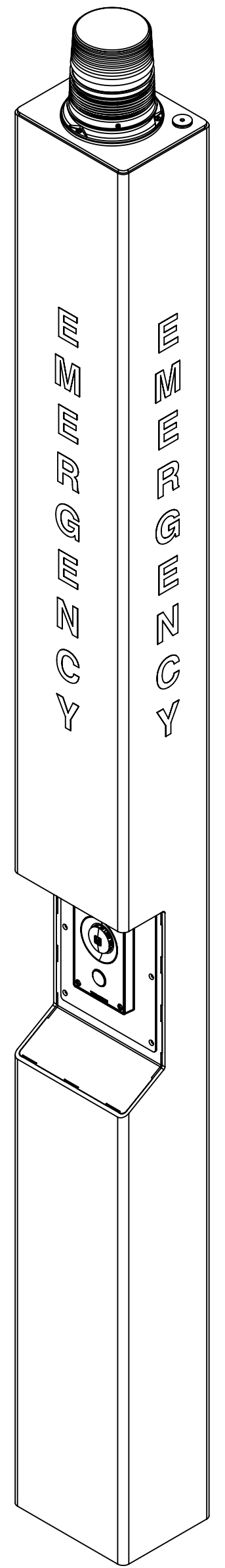
SIDE VIEW



REAR VIEW



FOOT PRINT



ISOMETRIC VIEW

1.0	MARKETING RELEASE	10/02/2019	K PATEL
REV.	DESCRIPTION	DATE	APPROVED
REVISIONS			
	NAME	DATE	
DRAWN	K PATEL	10/02/2019	
CHECKED			
ENG APPR.			
MFG APPR.			
Q.A.			
COMMENTS:			
		DWG. NO.	
		SIZE	PART NO. 2809016010
		DWG. TITLE:	1601 ECONO TOWER
		SCALE: 1:12	WEIGHT:
		SHEET 1 OF 1	

FINISH
 PROPRIETARY AND CONFIDENTIAL
 THE INFORMATION CONTAINED IN THIS DRAWING IS THE SOLE PROPERTY OF THE ZENITEL GROUP. ANY REPRODUCTION IN PART OR AS A WHOLE WITHOUT THE WRITTEN PERMISSION OF THE ZENITEL GROUP IS PROHIBITED.